

6

5

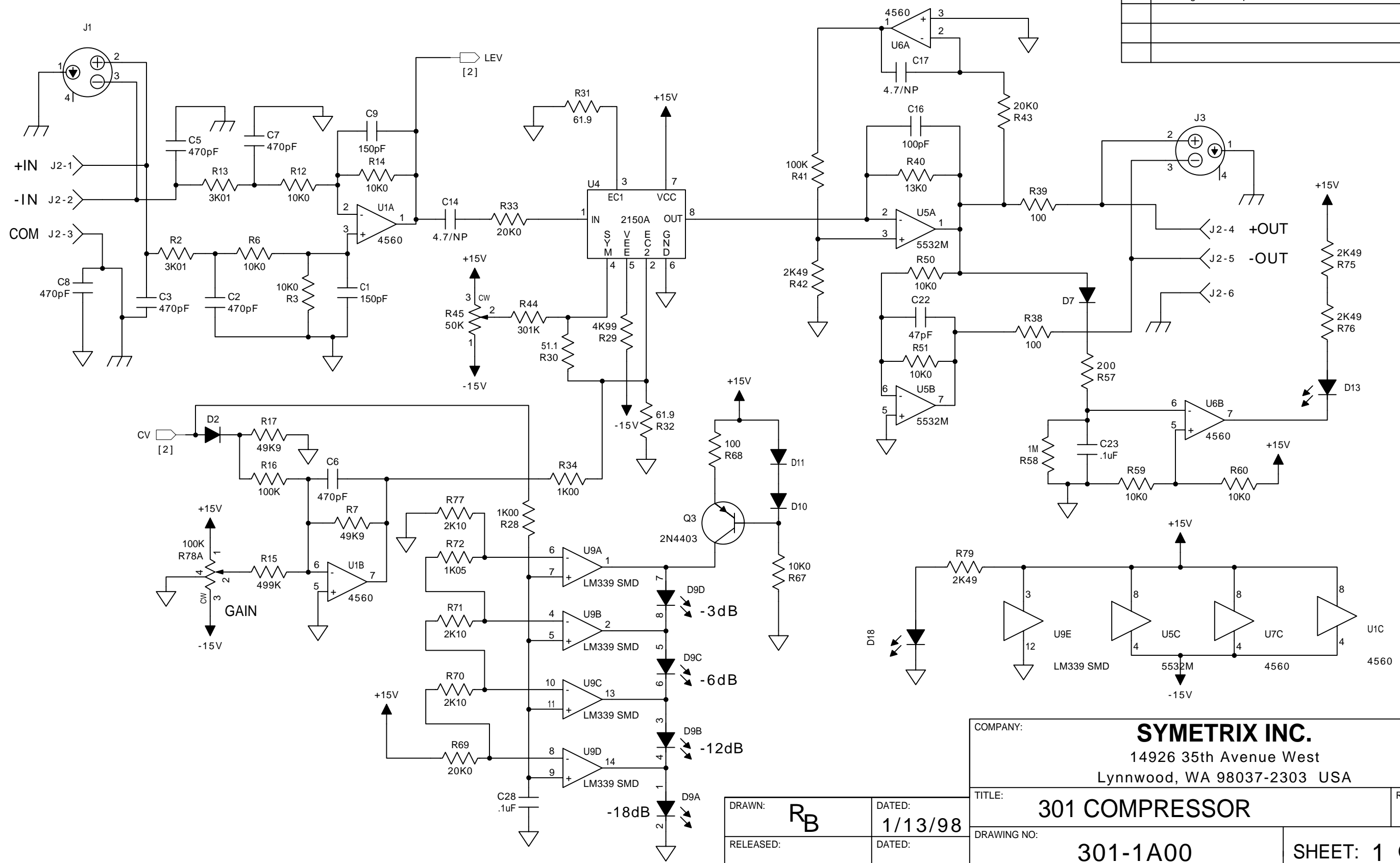
4

3

2

1

REVISION RECORD		
REV	REVISIONS DONE OR ECO NUMBER:	DATE:
A.01	Change R78 taper from 5BM-100K to B-100K	8/19/98



D

D

C

C

B

B

A

A

COMPANY: **SYMETRIX INC.**  
 14926 35th Avenue West  
 Lynnwood, WA 98037-2303 USA

TITLE: **301 COMPRESSOR** REV: **A.00**

DRAWING NO: **301-1A00** SHEET: **1 OF 2**

DRAWN: **RB** DATED: **1/13/98**

RELEASED: DATED:

6

5

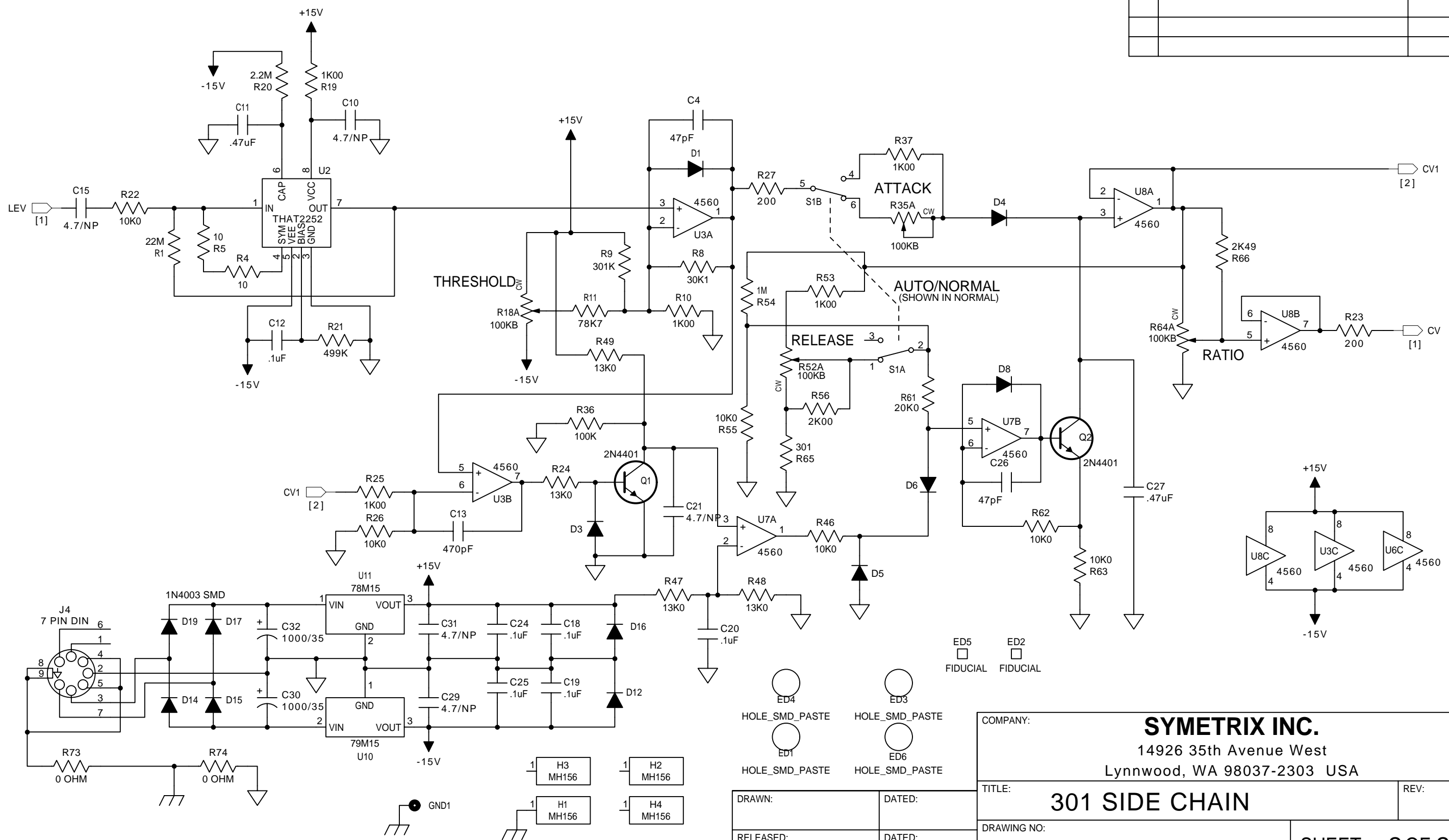
4

3

2

1

REVISION RECORD		
REV	REVISIONS DONE OR ECO NUMBER:	DATE:



COMPANY: **SYMETRIX INC.**  
 14926 35th Avenue West  
 Lynnwood, WA 98037-2303 USA

TITLE: **301 SIDE CHAIN**

DRAWING NO: \_\_\_\_\_ SHEET: 2 OF 2

REV: \_\_\_\_\_

DRAWN: \_\_\_\_\_ DATED: \_\_\_\_\_

RELEASED: \_\_\_\_\_ DATED: \_\_\_\_\_

- ED4 HOLE\_SMD\_PASTE
- ED3 HOLE\_SMD\_PASTE
- ED1 HOLE\_SMD\_PASTE
- ED6 HOLE\_SMD\_PASTE
- ED5 FIDUCIAL
- ED2 FIDUCIAL

- H3 MH156
- H2 MH156
- H1 MH156
- H4 MH156

D

D

C

C

B

B

A

A