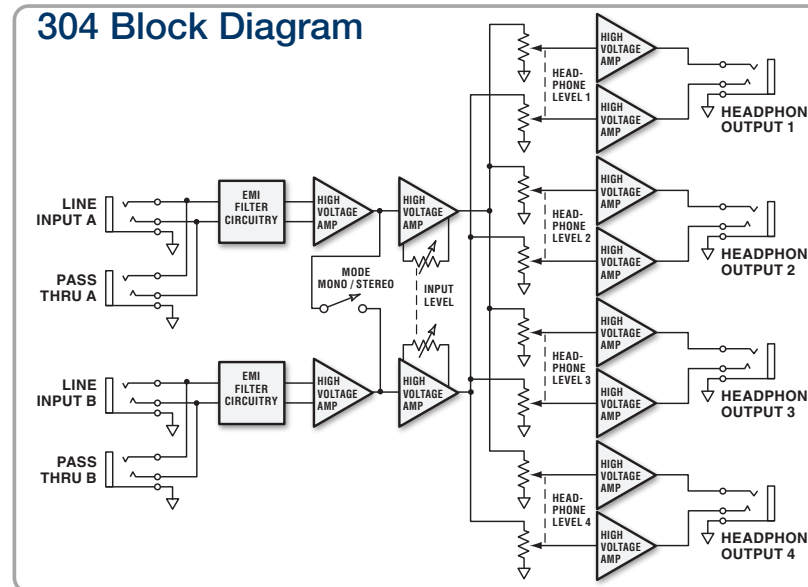




[Pictured actual size]

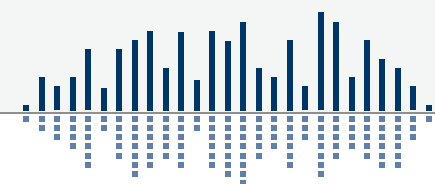
## The 304 Headphone Amplifier from Symetrix.

This four-channel headphone amplifier uses high voltage technology to provide a 6 dB volume increase over most competing units. The compact half rack chassis helps you fit eight channels in one rack space. Give everyone a clear monitor mix with the 304 Headphone Amplifier from Symetrix, the engineering-driven company of signal processing specialists.



### Features

- Half rack space, four (4) channel headphone amplifier. Applications: Studio, Broadcast, Podcasting.
- Output amplifier drives headphones of any impedance.
- Input level control.
- Stereo/Mono switch.
- Balanced TRS stereo inputs and pass-through connectors.





[Pictured actual size]

## A&E Specifications

The headphone amplifier shall have a single balanced stereo input and four stereo headphone outputs. Each output shall have its own amplifier and volume control. An overall input level control shall also be provided. There shall be an overall stereo/mono switch. All inputs are balanced bridging inputs. Outputs shall be suitable for driving headphones in the range of 8 Ohms to 2000 Ohms. The output source impedance shall be 100 Ohms. The headphone amplifier shall be capable of delivering 35 volts peak-to-peak into a 2000 Ohm load (or greater). The unit shall be capable of operating by means of a Symetrix PS-3 or PS-3E external power supply connected to 115 VAC nominal (95 to 130 VAC), 50/60 Hz or 230 VAC nominal (207 to 253 VAC), 50 Hz where applicable.

The unit shall be a Symetrix, Inc. model **304 Headphone Amplifier**.

## Performance Data

**Frequency Response:** 20 Hz to 20 kHz, +0, -1 dB

**THD+Noise:** .01% (1 kHz, 0 dBm, 600 Ω);

.02% (1 kHz, +20 dBm, 600 Ω)

**Signal-to-Noise Ratio:** 95 dB

**Maximum Gain:** 25 dB

### CONNECTIONS

**Input:** 1/4" TRS

**Output:** 1/4" TRS

**Power In:** 7-pin DIN

### PHYSICAL

**Size:** (hwd) 1/2 rack unit,

1.75 x 8.5 x 6.5 in. (4.45 x 21.59 x 15.88 cm.)

**Shipping Weight:** 4.5 lbs / 2.04 kg

### ELECTRICAL

**Power Requirements:**

115 VAC nominal, 95 to 130 VAC, 50 to 60 Hz, 10 Watts

230 VAC nominal, 207 to 253 VAC, 50 Hz, 10 Watts

### ENVIRONMENT

Maximum operating ambient temperature: 30° C.

## Specifications

### INPUT/OUTPUT

**Input Type:** Bridging, Balanced or Unbalanced

**Maximum Input Level:** +18 dBu Balanced

**Maximum Output Level:** +21 dBm, 600 Ω load;

>6 VRMS, 200 Ω load

**Input Impedance:** 20 k Ω Balanced; 10k Ω Unbalanced

**Output Impedance:** 100 Ω

Copyright 2009, Symetrix, Inc.

All Rights Reserved.

