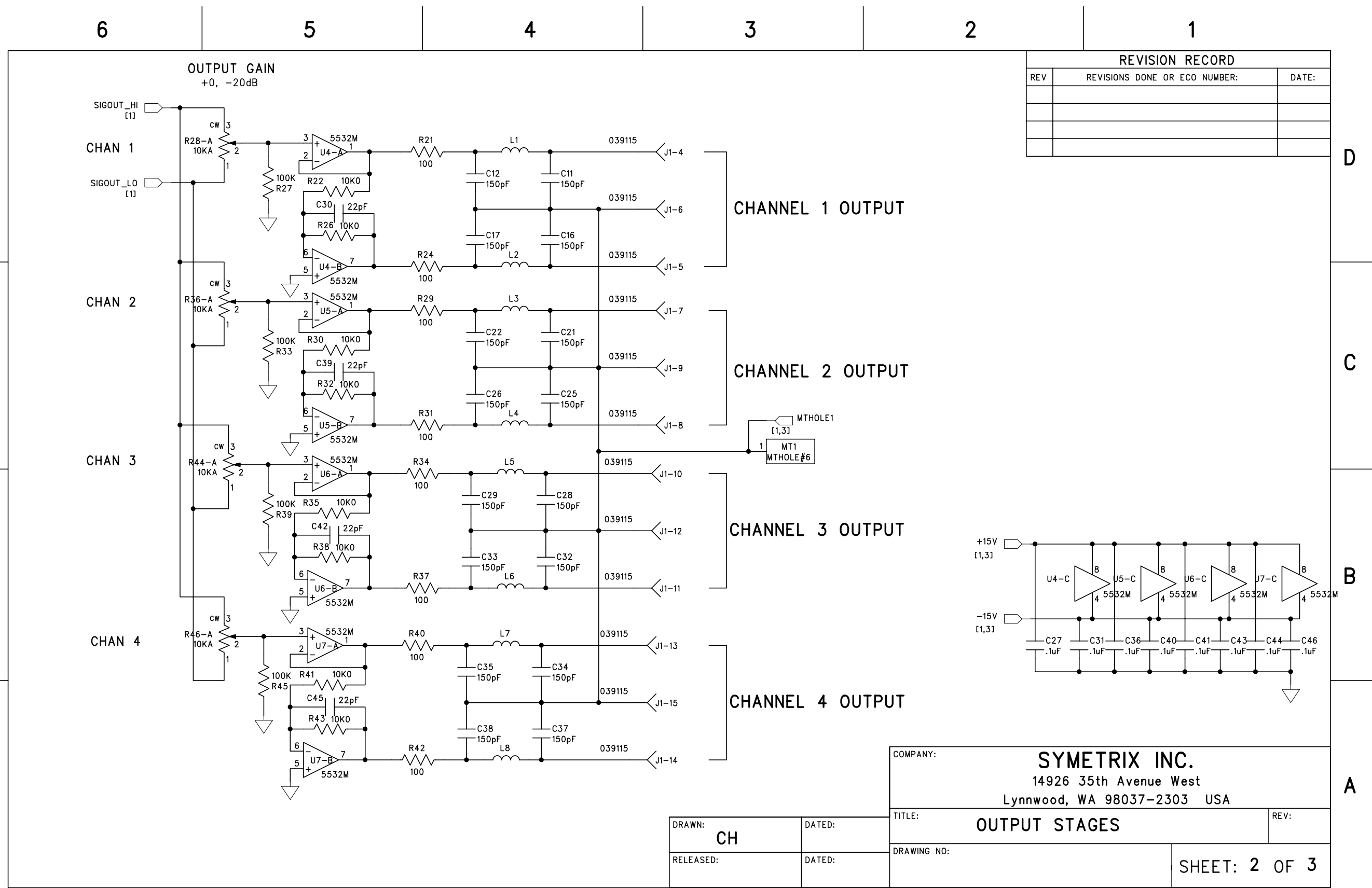


| REVISION RECORD | | |
|-----------------|-------------------------------|-------|
| REV | REVISIONS DONE OR ECO NUMBER: | DATE: |
| | | |
| | | |
| | | |
| | | |

| | | | |
|-------------|--------------------------------------|-----------------------------|---------------|
| COMPANY: | | SYMETRIX INC. | |
| | | 14926 35th Avenue West | |
| | | Lynnwood, WA 98037-2303 USA | |
| TITLE: | DISTRIBUTION AMPLIFIER - 1 IN, 4 OUT | | REV: A.00 |
| DRAWING NO: | 305-1A00 | | SHEET: 1 OF 3 |

| | |
|--------------|----------------|
| DRAWN: RB/CH | DATED: 4/16/98 |
| RELEASED: | DATED: |



6

5

4

3

2

1

| REVISION RECORD | | |
|-----------------|-------------------------------|-------|
| REV | REVISIONS DONE OR ECO NUMBER: | DATE: |
| | | |
| | | |
| | | |
| | | |

D

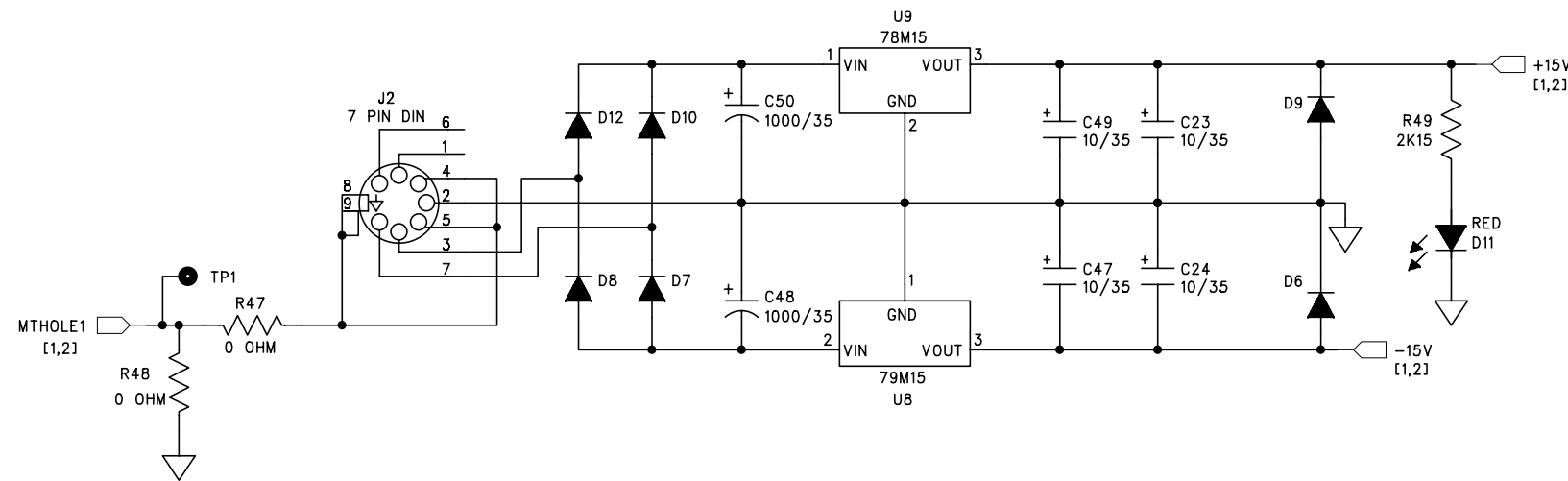
D

C

C

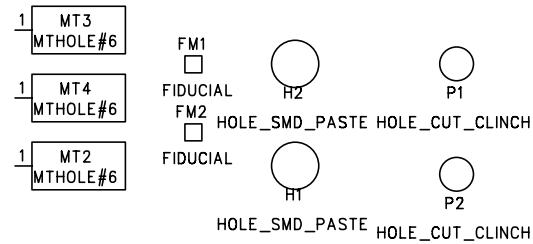
B

B



A

A



COMPANY: **SYMETRIX INC.**
 14926 35th Avenue West
 Lynnwood, WA 98037-2303 USA

| | | | |
|-----------|--------|----------------------------|---------------|
| DRAWN: | DATED: | TITLE: POWER SUPPLY | REV: |
| RELEASED: | DATED: | DRAWING NO: | SHEET: 3 OF 3 |