

6

5

4

3

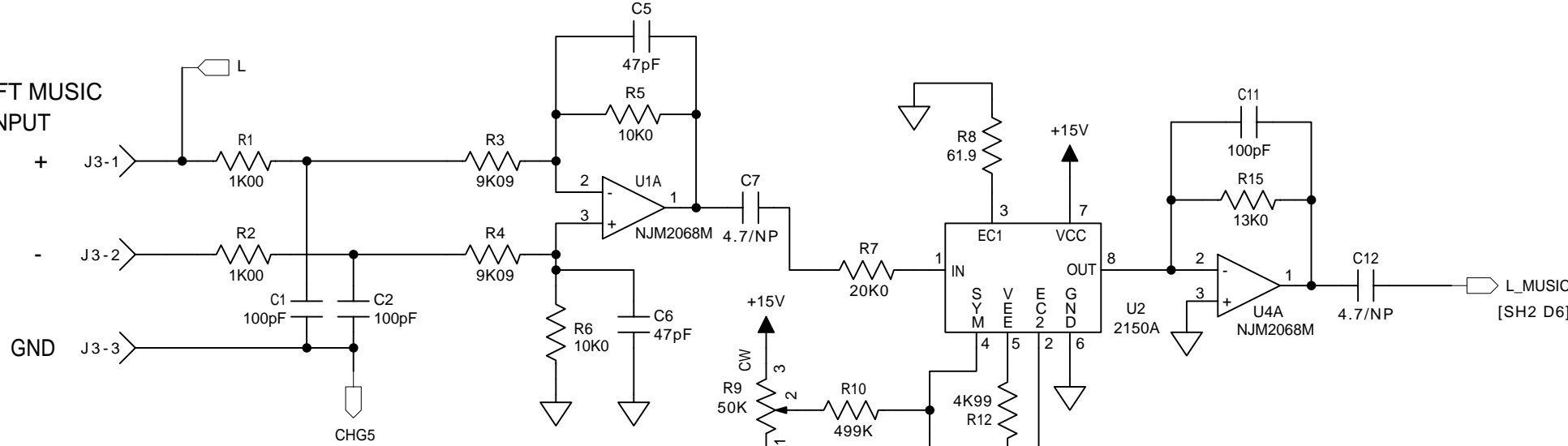
2

1

REVISION RECORD		
REV	REVISIONS DONE OR ECO NUMBER:	DATE:

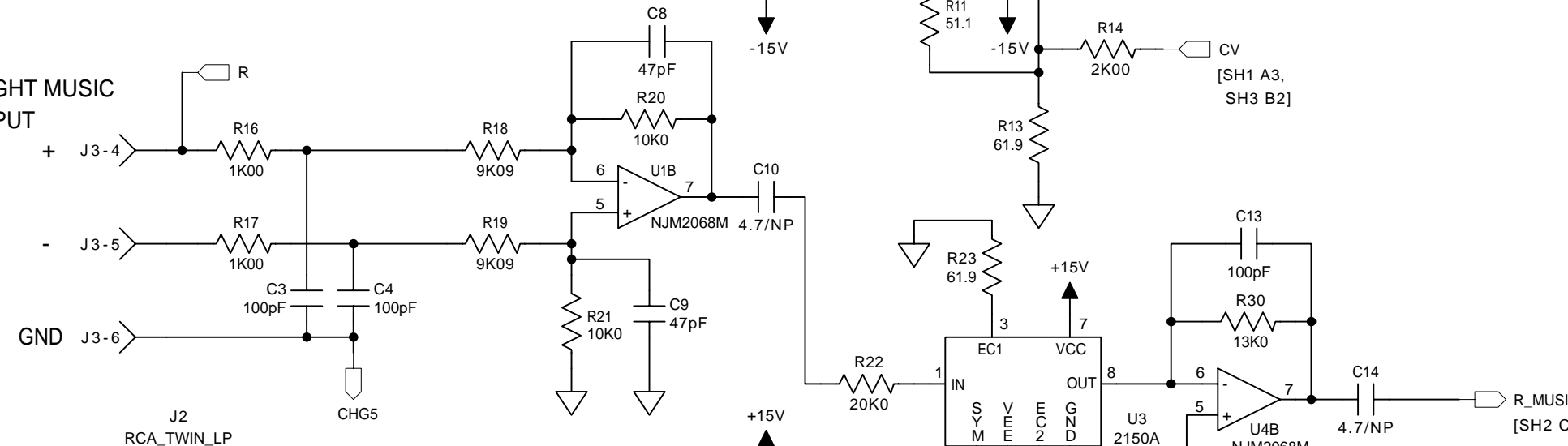
D

LEFT MUSIC INPUT

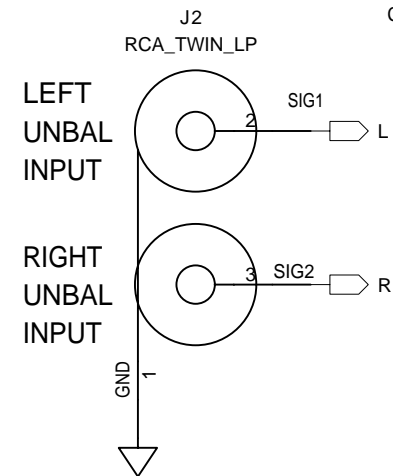


C

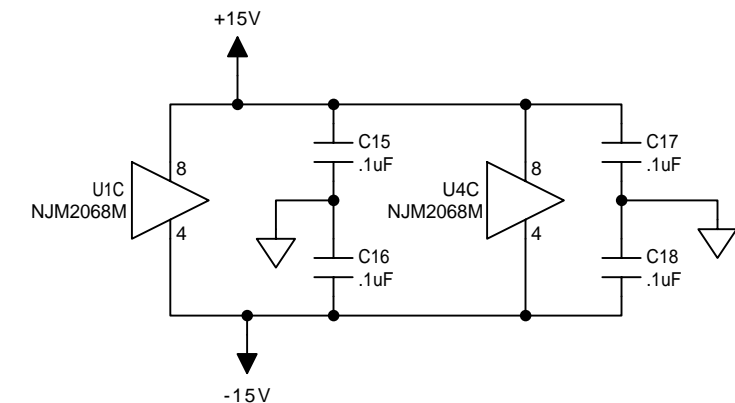
RIGHT MUSIC INPUT



B



A



D

C

B

A

COMPANY: **SYMETRIX INC.**  
 14926 35th Avenue West  
 Lynnwood, WA 98037-2303 USA

TITLE: **306 DUCKER - MUSIC IN & VCA** REV: **A**

DRAWING NO: SHEET: 1 OF 5

DRAWN: <b>ba</b>	DATED: <b>11-11-98</b>
RELEASED:	DATED:

6

5

4

3

2

1

SEE SHEET 1 FOR REVISIONS

D

D

C

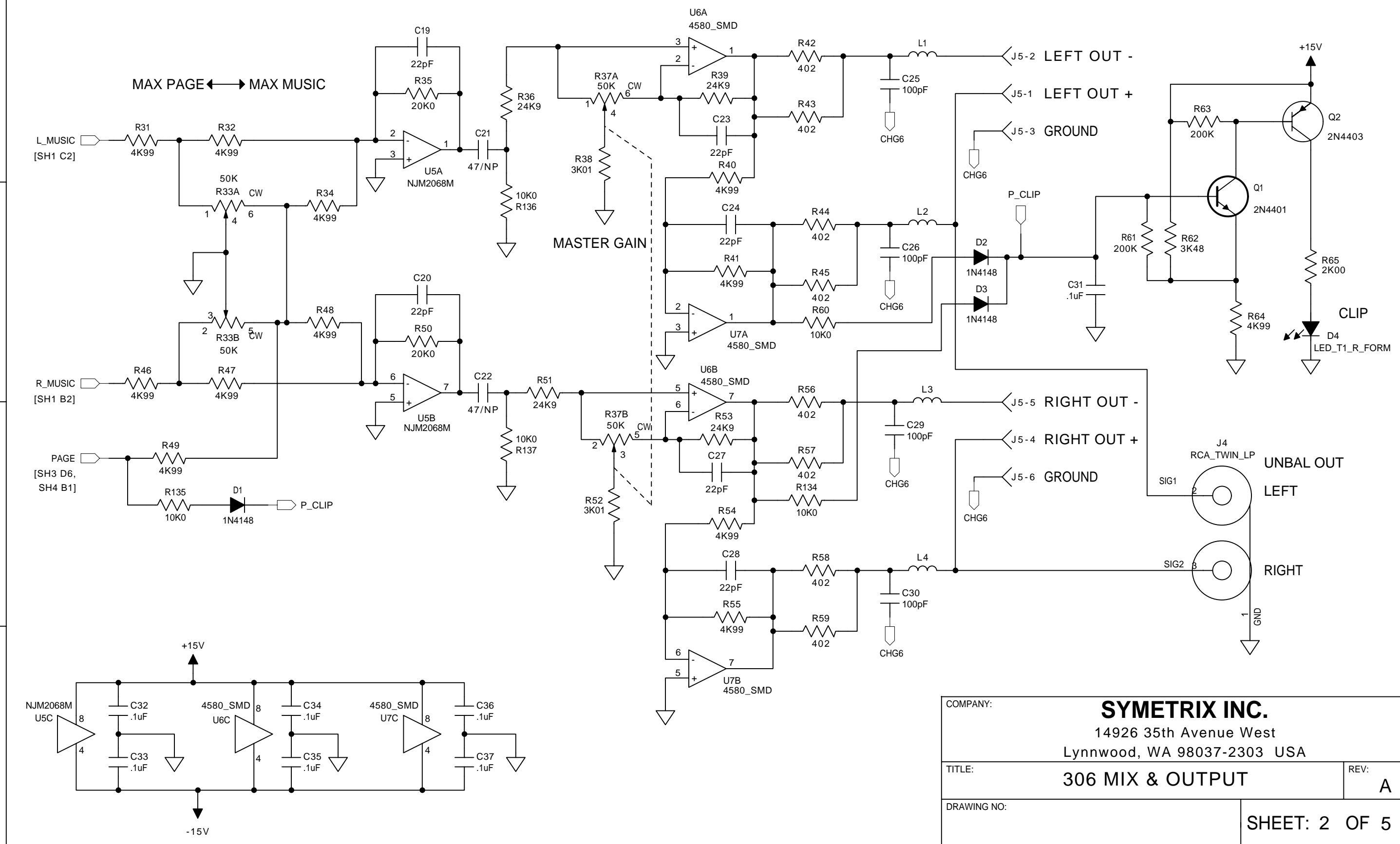
C

B

B

A

A



COMPANY:		<b>SYMETRIX INC.</b>	
		14926 35th Avenue West Lynnwood, WA 98037-2303 USA	
TITLE:		<b>306 MIX &amp; OUTPUT</b>	REV: <b>A</b>
DRAWING NO:		<b>SHEET: 2 OF 5</b>	

6

5

4

3

2

1

SEE SHEET 1 FOR REVISIONS

D

D

C

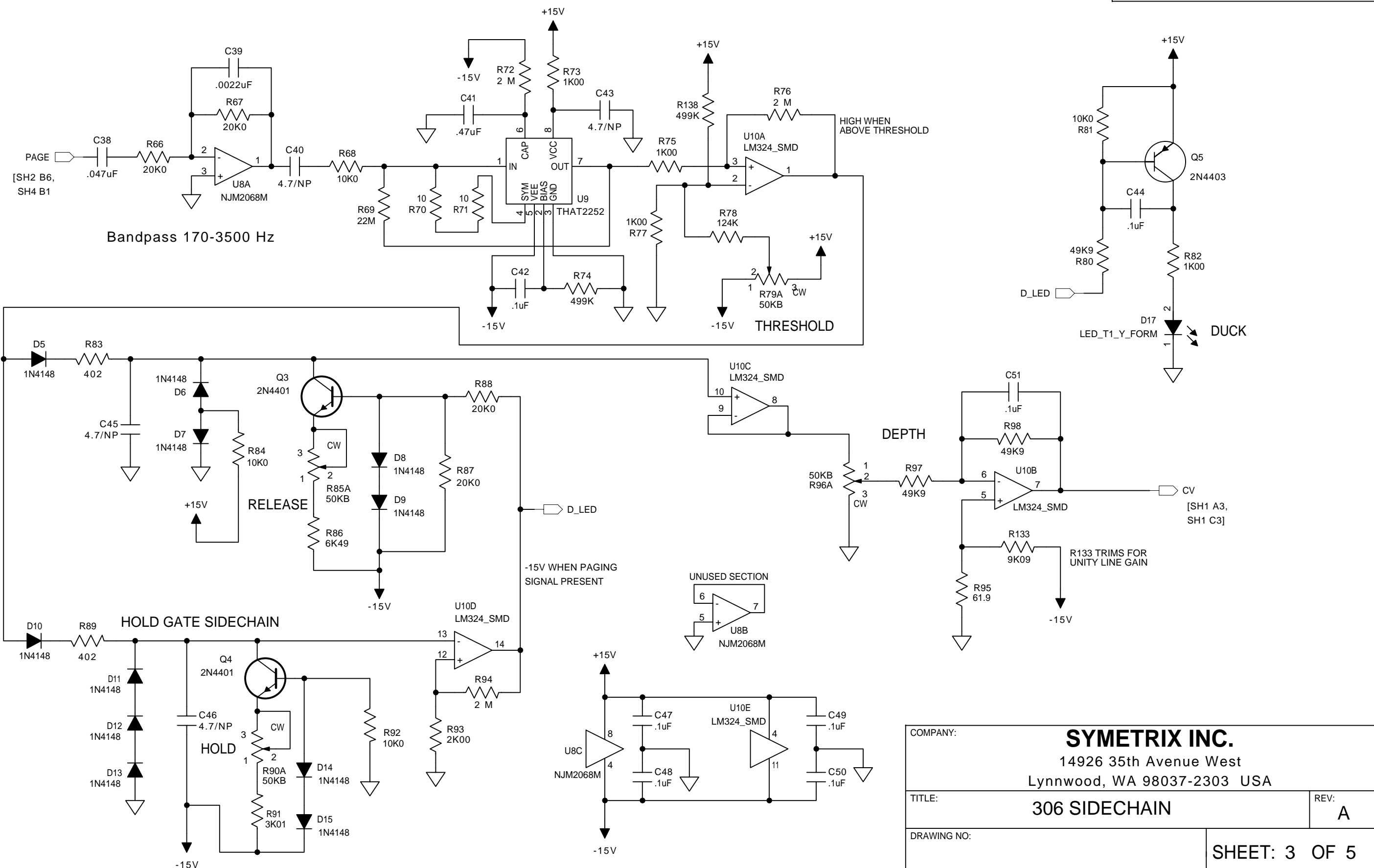
C

B

B

A

A



COMPANY:		<b>SYMETRIX INC.</b>	
		14926 35th Avenue West Lynnwood, WA 98037-2303 USA	
TITLE:		306 SIDECHAIN	REV: A
DRAWING NO:		SHEET: 3 OF 5	

6

5

4

3

2

1

SEE SHEET 1 FOR REVISIONS

D

D

C

C

B

B

A

A

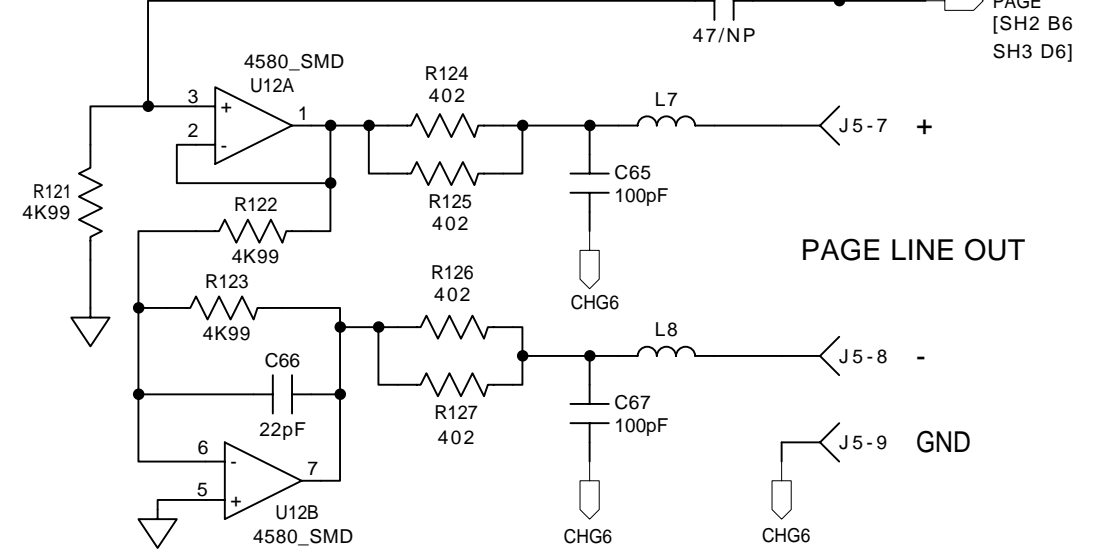
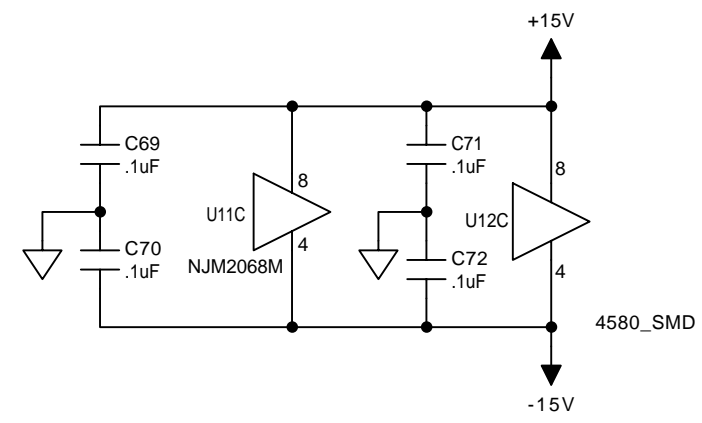
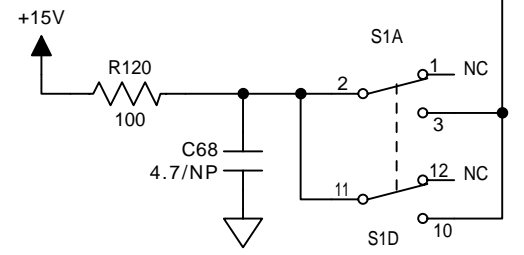
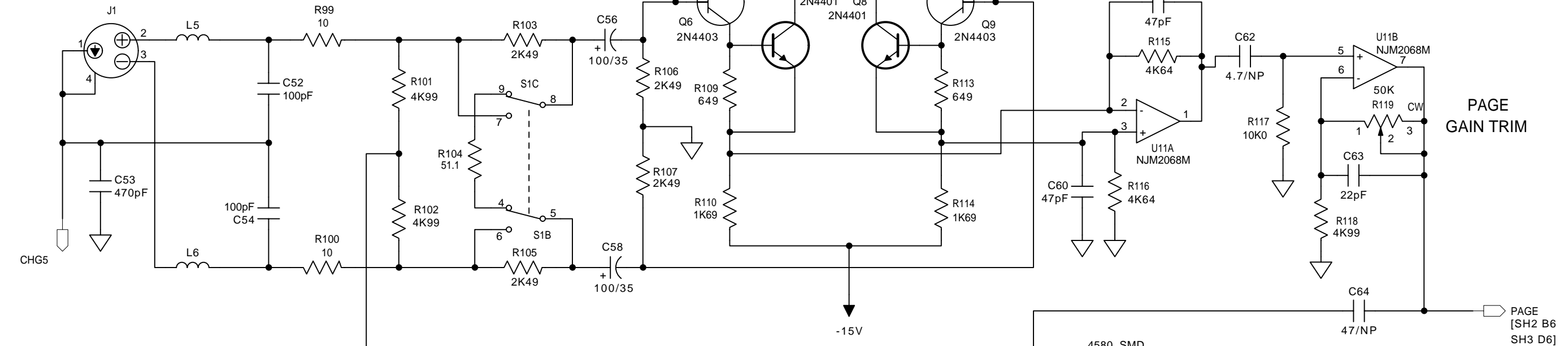
PAGE MIC IN

MIKE/LINE

PHANTOM POWER

PAGE GAIN TRIM

PAGE LINE OUT



COMPANY:		<b>SYMETRIX INC.</b>	
		14926 35th Avenue West Lynnwood, WA 98037-2303 USA	
TITLE:		306 PAGE AUDIO PATH	REV: A
DRAWING NO:		SHEET: 4 OF 5	

6

5

4

3

2

1

SEE SHEET 1 FOR REVISIONS

D

D

C

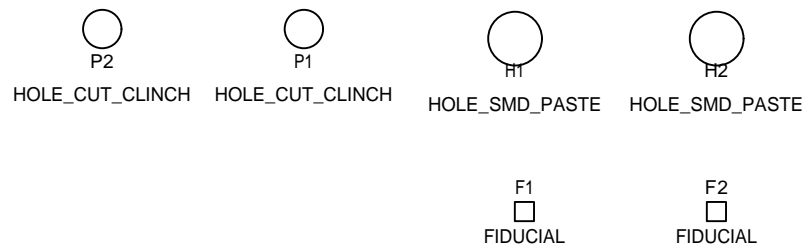
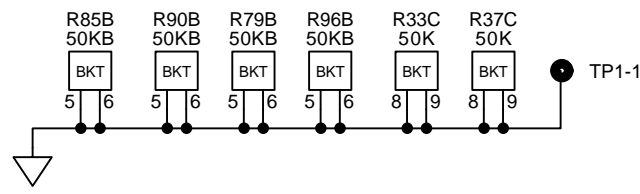
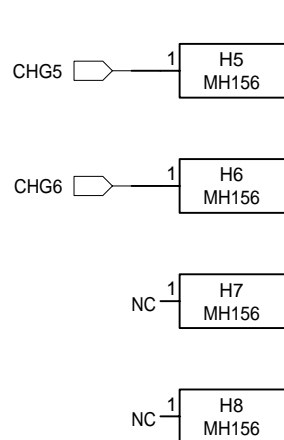
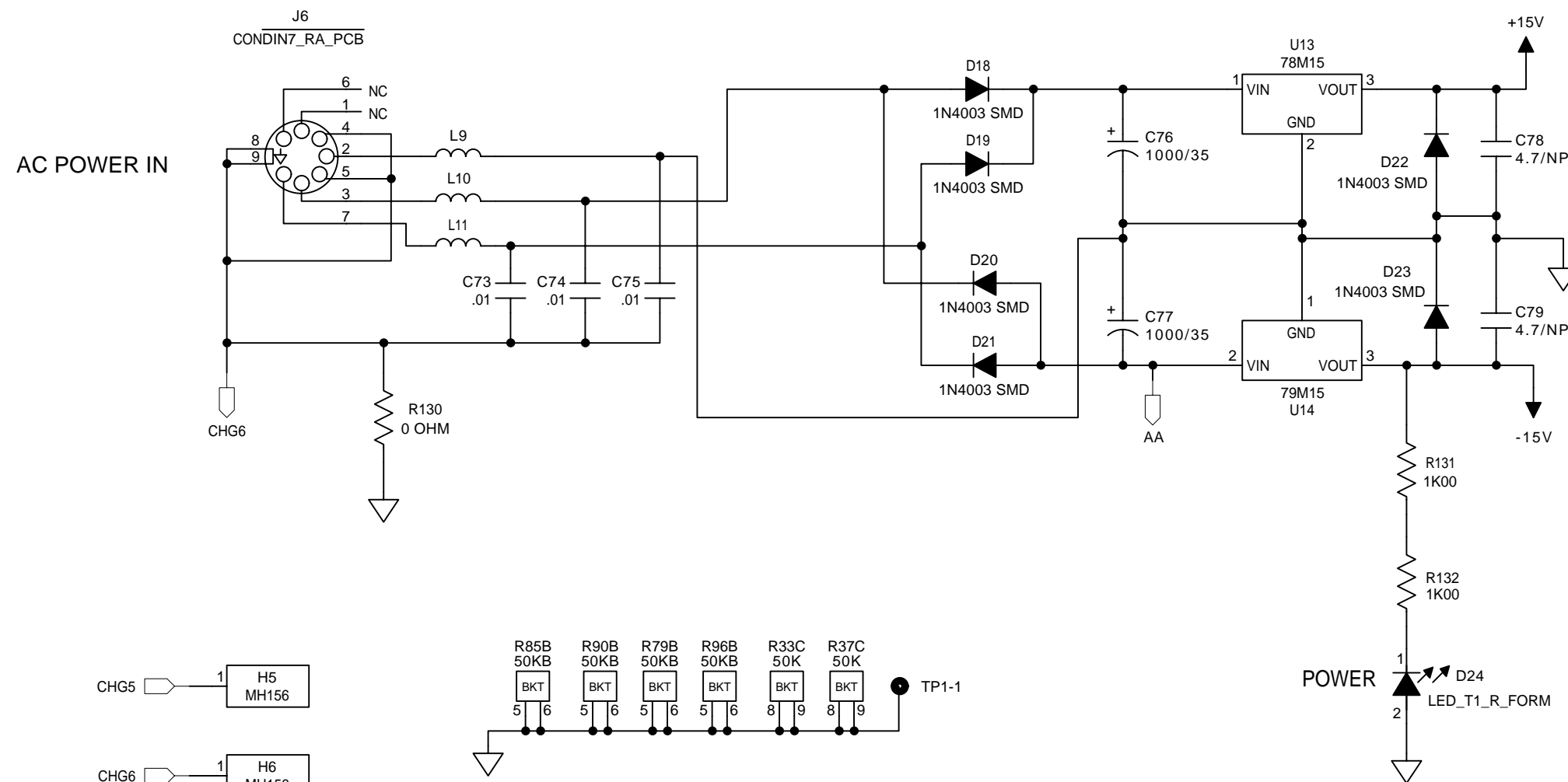
C

B

B

A

A



COMPANY:		<b>SYMETRIX INC.</b>	
		14926 35th Avenue West Lynnwood, WA 98037-2303 USA	
TITLE:		306 POWER SUPPLY & APPENDIX	REV: A
DRAWING NO:		SHEET: 5 OF 5	