

6

5

4

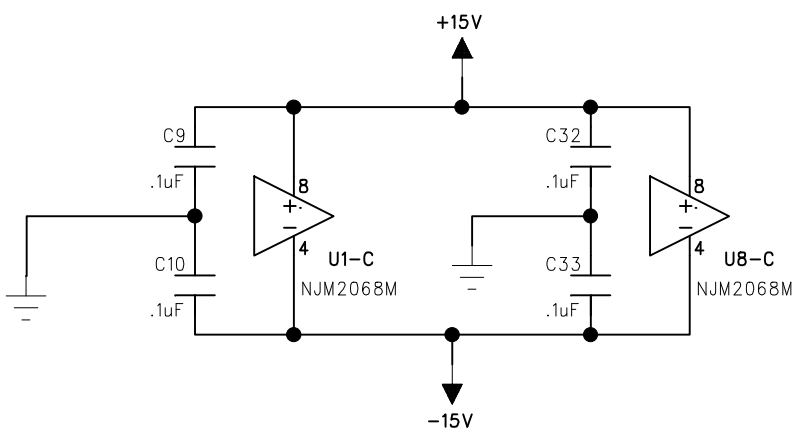
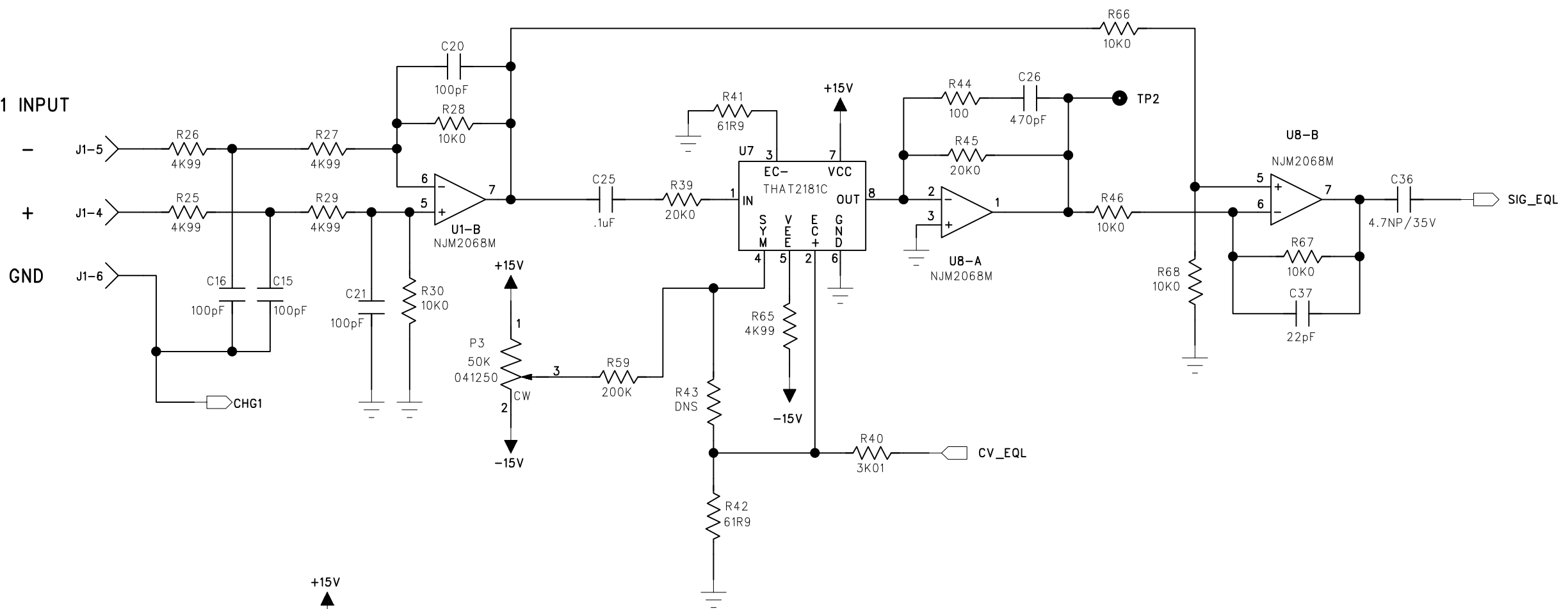
3

2

1

REVISION RECORD		
REV	REVISIONS DONE OR ECO NUMBER:	DATE:
A	RELEASE TO PRODUCTION	6-1-2000
A.01	CLARIFIED TITLE	5-9-2001
A.03	SEE ECN 0225	5-9-2001

CH. 1 INPUT



### CHANNEL 1 EQ

COMPANY:		<b>SYMETRIX INC.</b>	
		14926 35th Avenue West Lynnwood, WA 98037-2303 USA	
TITLE:		<b>308 VCA / EQ (SYMETRIX/AEI)</b>	REV: A.03
DRAWING NO:		SHEET: 1 OF 8	

DRAWN: ba	DATED: 3-7-2000
RELEASED:	DATED:

D

C

B

A

D

C

B

A

6

5

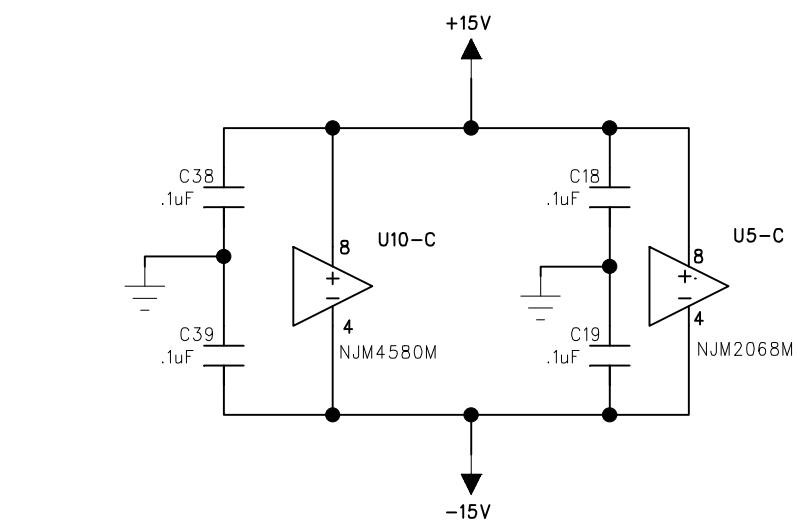
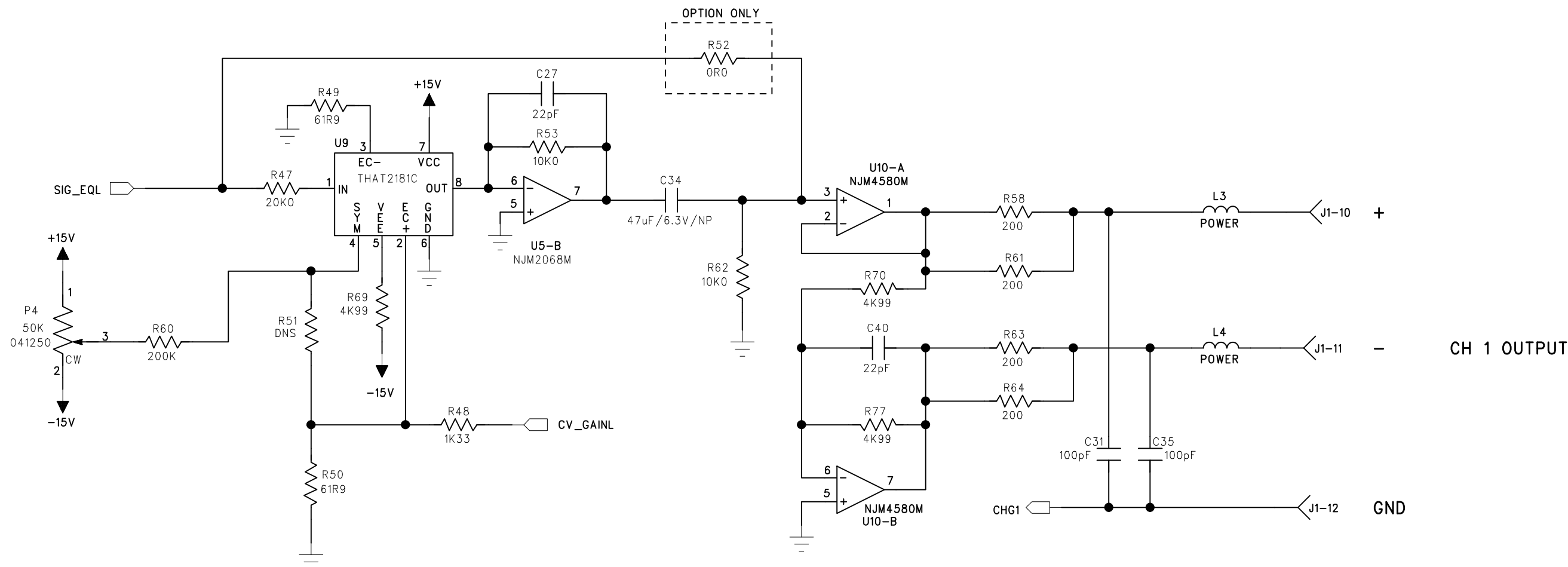
4

3

2

1

SEE SHEET 1 FOR REVISIONS



### CHANNEL 1 LEVEL

COMPANY:		<b>SYMETRIX INC.</b>	
		14926 35th Avenue West	
		Lynnwood, WA 98037-2303 USA	
TITLE:		REV:	
DRAWING NO:		SHEET: 2 OF 8	

6

5

4

3

2

1

SEE SHEET 1 FOR REVISIONS

D

D

C

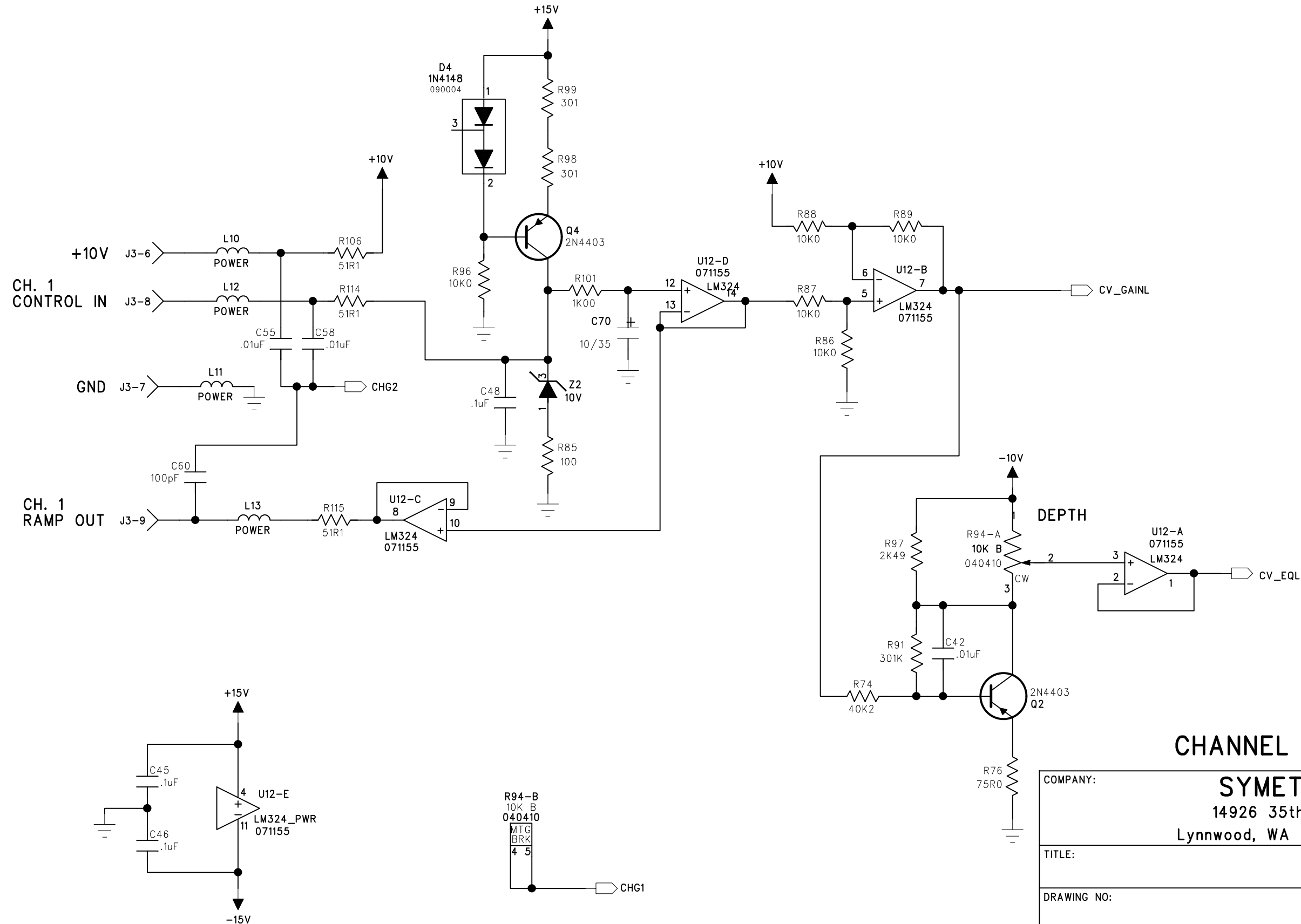
C

B

B

A

A



### CHANNEL 1 CONTROL

COMPANY:		<b>SYMETRIX INC.</b>	
		14926 35th Avenue West	
		Lynnwood, WA 98037-2303 USA	
TITLE:		REV:	
DRAWING NO:		SHEET: 3 OF 8	

6

5

4

3

2

1

SEE SHEET 1 FOR REVISIONS

D

D

C

C

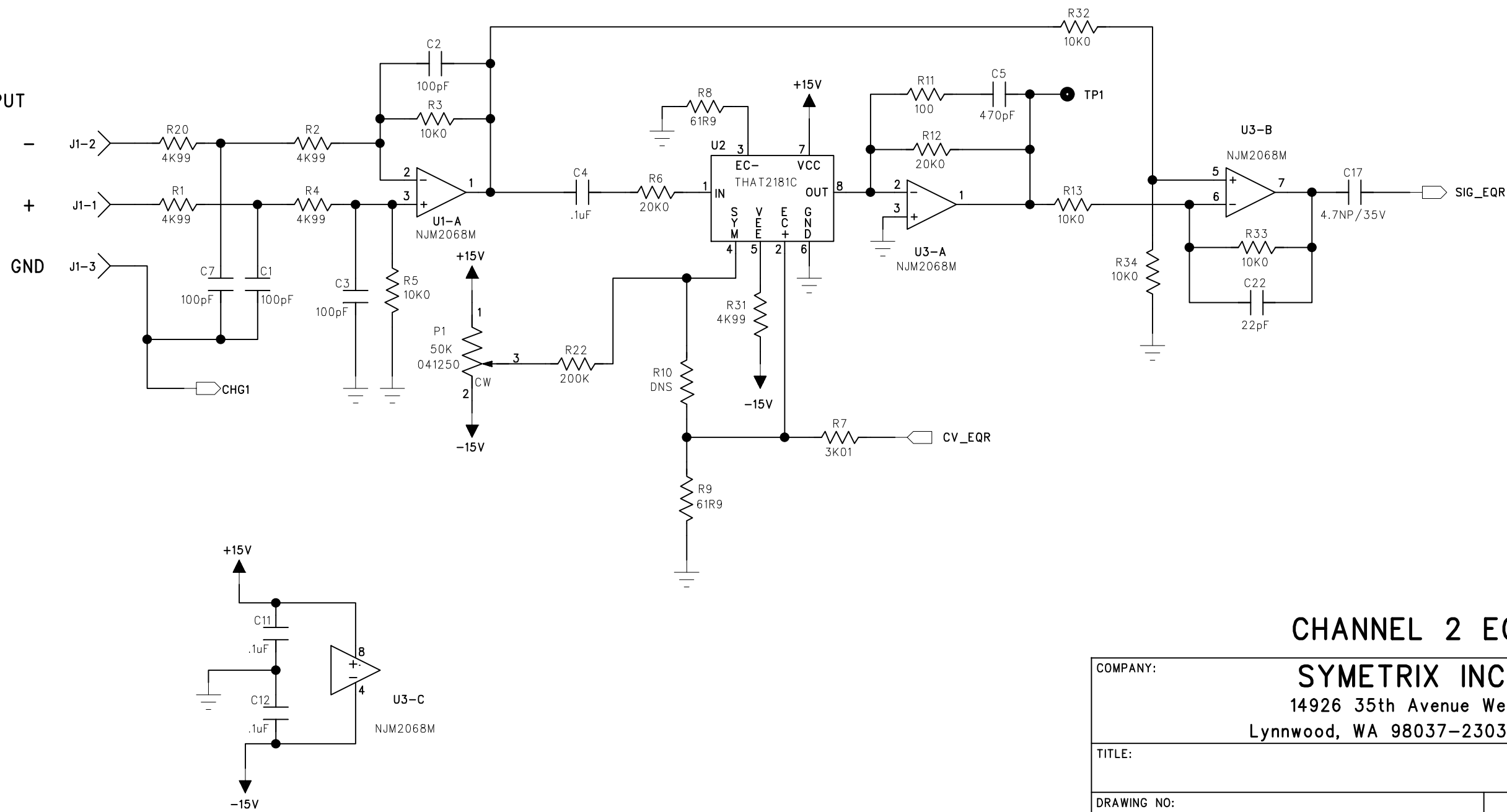
B

B

A

A

CH. 2 INPUT



### CHANNEL 2 EQ

COMPANY:		<b>SYMETRIX INC.</b>	
		14926 35th Avenue West	
		Lynnwood, WA 98037-2303 USA	
TITLE:		REV:	
DRAWING NO:		SHEET: 4 OF 8	

6

5

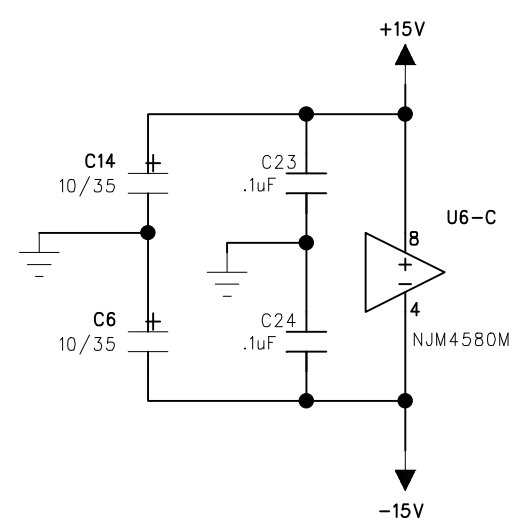
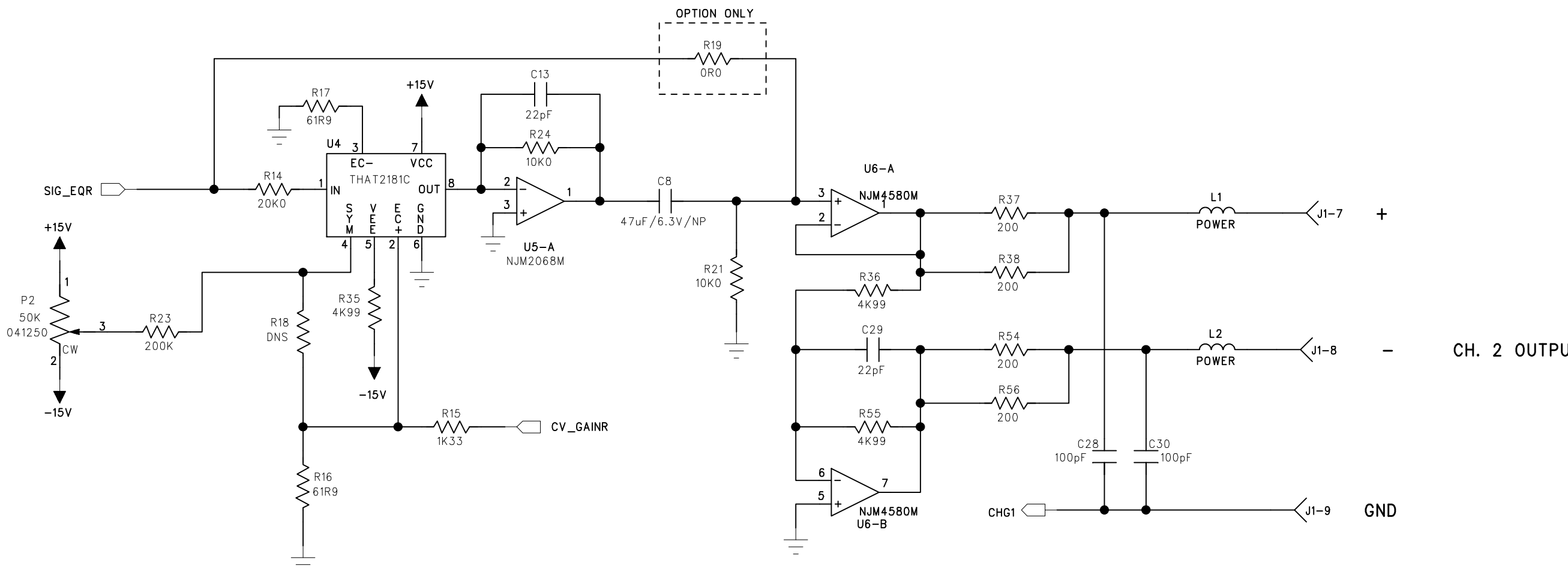
4

3

2

1

SEE SHEET 1 FOR REVISIONS



### CHANNEL 2 LEVEL

COMPANY:		<b>SYMETRIX INC.</b>	
		14926 35th Avenue West Lynnwood, WA 98037-2303 USA	
TITLE:		REV:	
DRAWING NO:		SHEET: 5 OF 8	

6

5

4

3

2

1

SEE SHEET 1 FOR REVISIONS

D

D

C

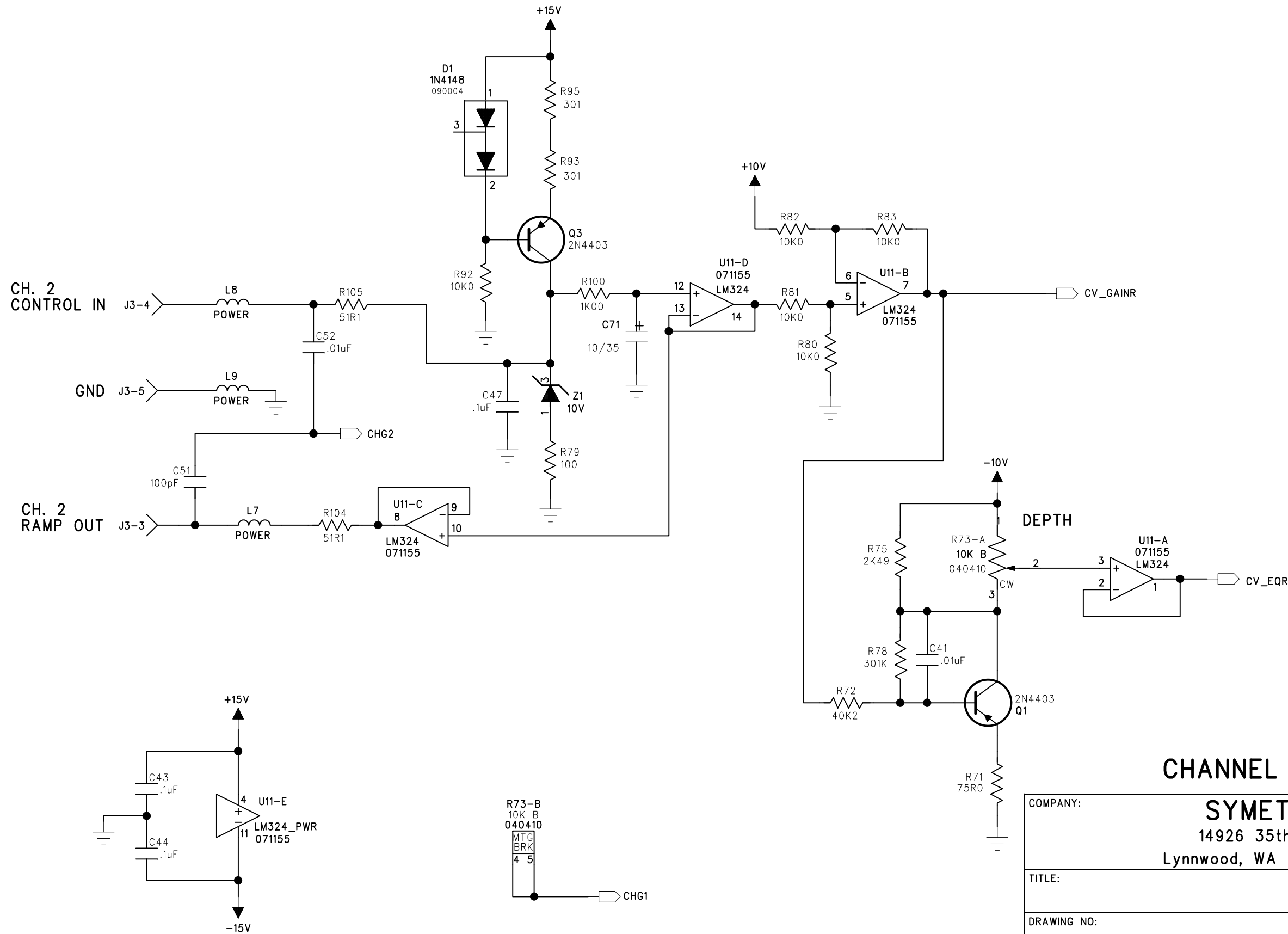
C

B

B

A

A



### CHANNEL 2 CONTROL

COMPANY:		<b>SYMETRIX INC.</b>	
		14926 35th Avenue West	
		Lynnwood, WA 98037-2303 USA	
TITLE:		REV:	
DRAWING NO:		SHEET: 6 OF 8	

6

5

4

3

2

1

SEE SHEET 1 FOR REVISIONS

D

D

C

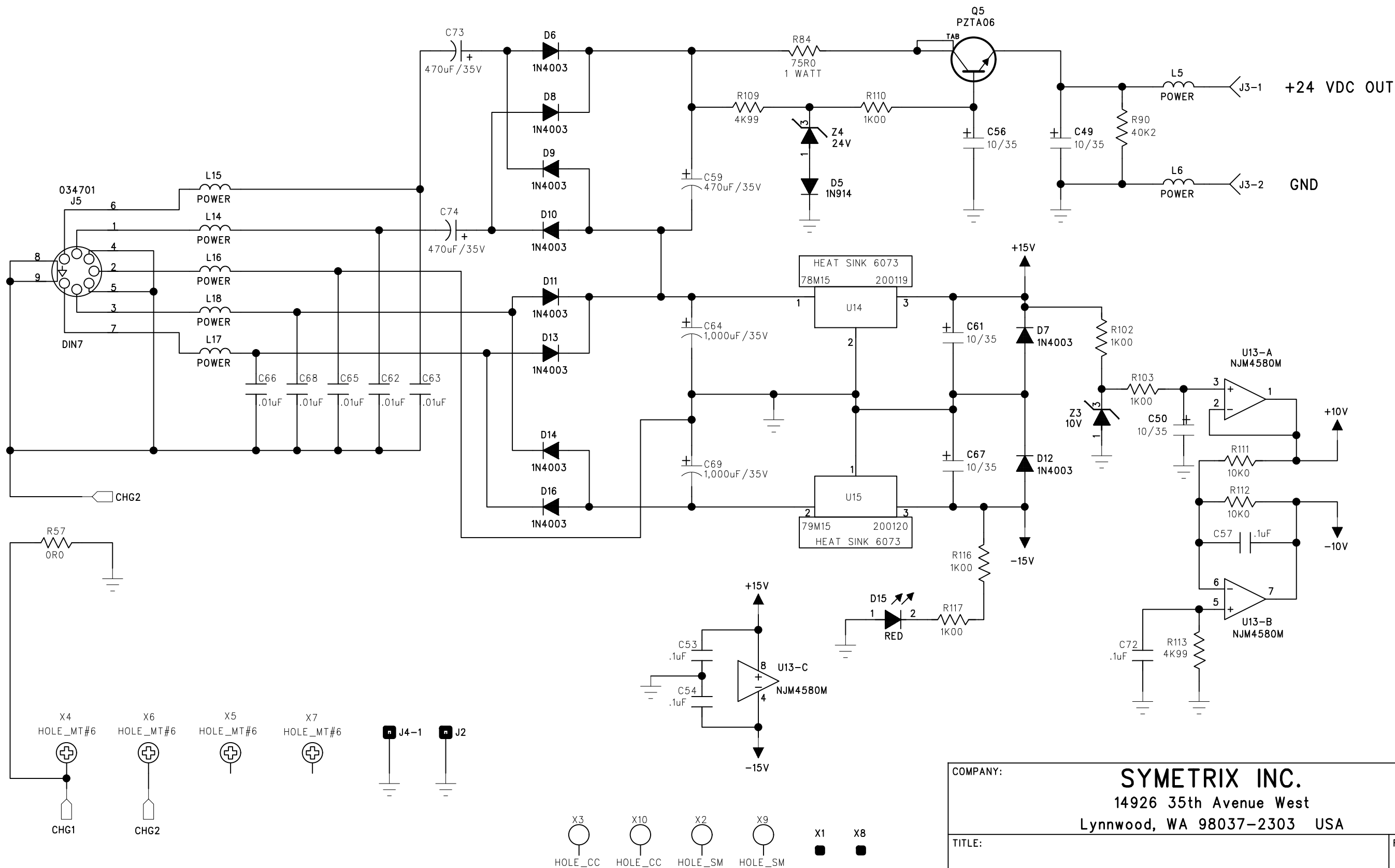
C

B

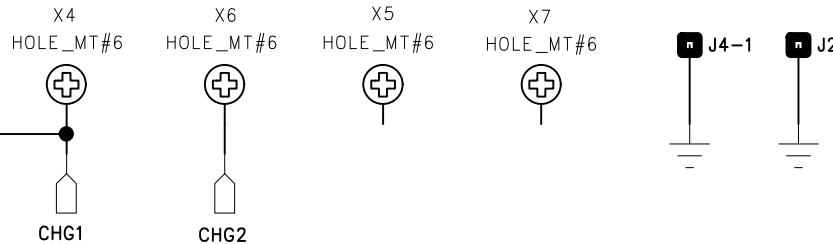
B

A

A



COMPANY:		<b>SYMETRIX INC.</b>	
		14926 35th Avenue West	
		Lynnwood, WA 98037-2303 USA	
TITLE:		REV:	
DRAWING NO:		SHEET: 7 OF 8	



6

5

4

3

2

1

SEE SHEET 1 FOR REVISIONS

D

CALIBRATION:

1. Connect external 10K control pots to both channels.
2. Feed a 0 dBu, 1000 Hz, Balanced signal to both program inputs.
3. Monitor both program outputs using an Audio Precision analyzer.
4. Set both external pots CW (unity gain) and set both rear panel Depth pots CCW (no EQ).
5. Adjust P4 (Left) and P2 (Right) for minimum THD.
6. Set both external pots CCW and set both rear panel Depth pots CW (maximum EQ).
7. Using a 1:1 scope probe on the Audio Precision input, monitor TP2 and adjust P3 for minimum THD.
8. Likewise monitor TP1 and adjust P1.

C

B

A

D

C

B

A

COMPANY:		<b>SYMETRIX INC.</b>	
		14926 35th Avenue West Lynnwood, WA 98037-2303 USA	
TITLE:		REV:	
DRAWING NO:		SHEET: 8 OF 8	