

6

5

4

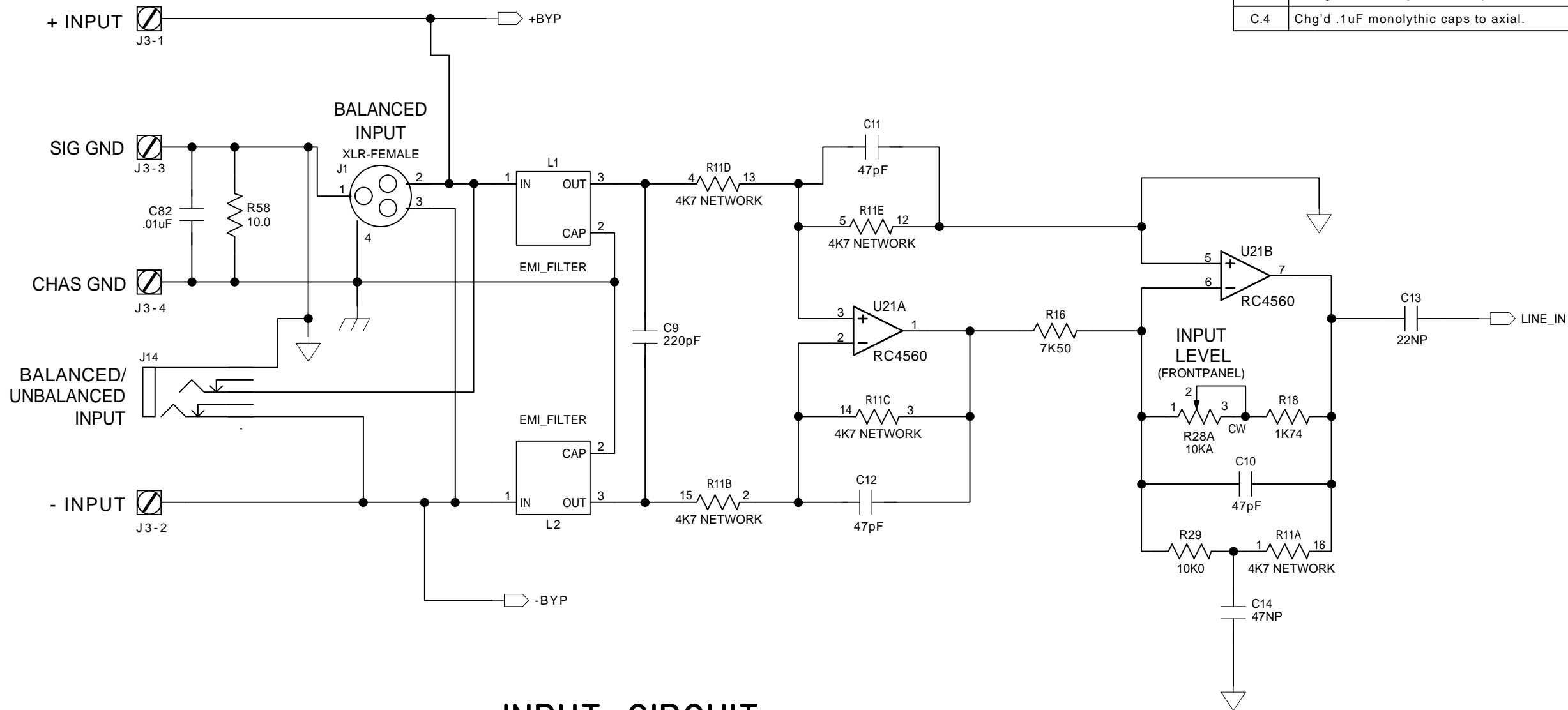
3

2

1

REVISION RECORD

LTR	REVISIONS DONE OR ECO NUMBER:	DATE:
C	ECO 402-001	2/9/93
C.1	ECO# 402-004	2/19/93
C.2	Changed 5% resistors to 1% values.	9/1/95
C.3	Changed C13 from polar to non-polar.	10/24/95
C.4	Chg'd .1uF monolythic caps to axial.	2/29/96



INPUT CIRCUIT

COMPANY:		SYMETRIX INC.	
		14926 35th Avenue West Lynnwood, WA 98037-2303 USA	
TITLE:		402 DUAL DELAY	REV: C.4
DRAWING NO:		022005	SHEET: 1 OF 10

DRAWN:	DATED:
A.R.G.	06-19-92
RELEASED:	DATED:

D

C

B

A

D

C

B

A

6

5

4

3

2

1

D

D

C

C

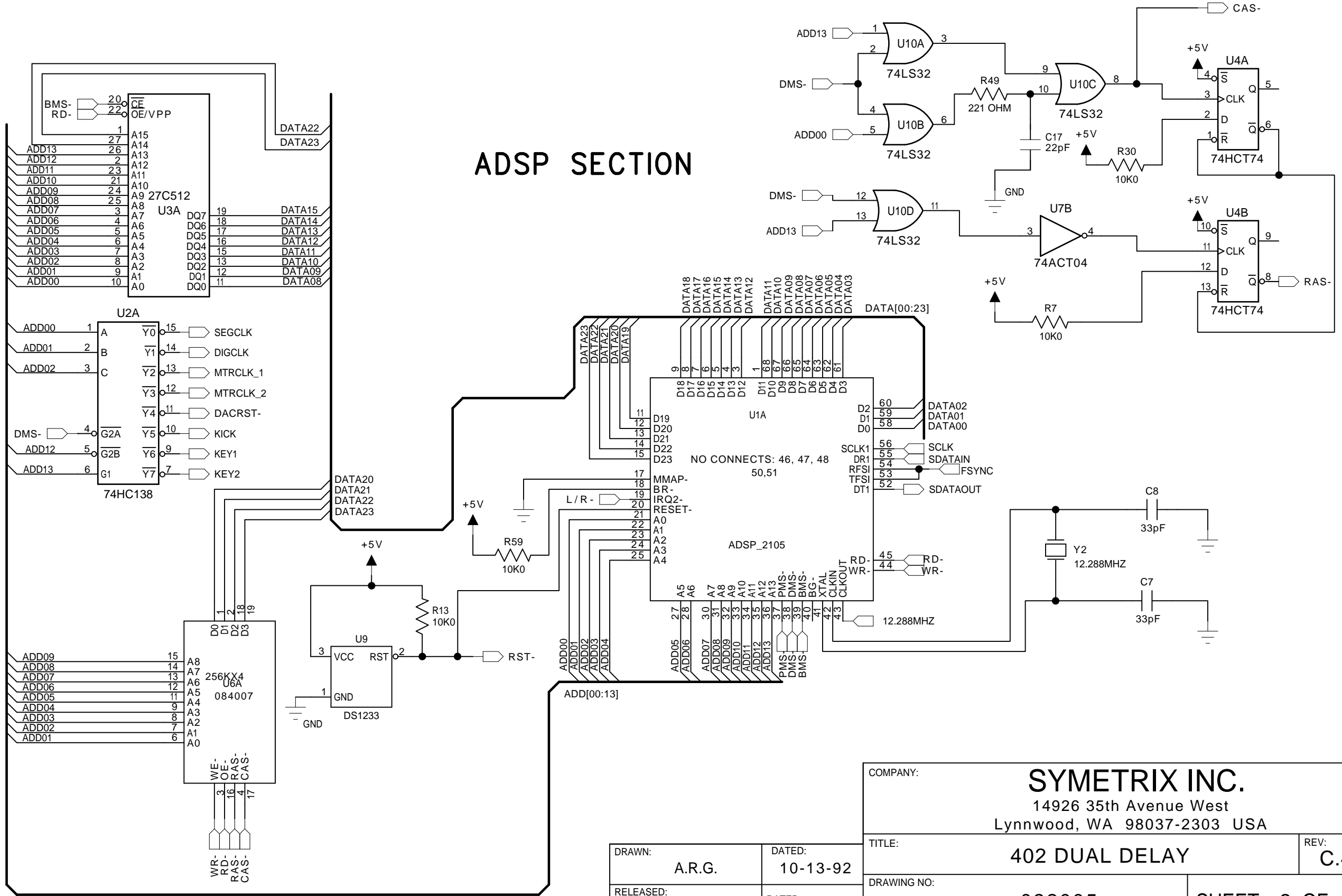
B

B

A

A

ADSP SECTION



COMPANY:		SYMETRIX INC.	
		14926 35th Avenue West Lynnwood, WA 98037-2303 USA	
TITLE:		402 DUAL DELAY	REV: C.4
DRAWING NO:		022005	SHEET: 2 OF 10

DRAWN:	DATED:
A.R.G.	10-13-92
RELEASED:	DATED:

6

5

4

3

2

1

D

C

B

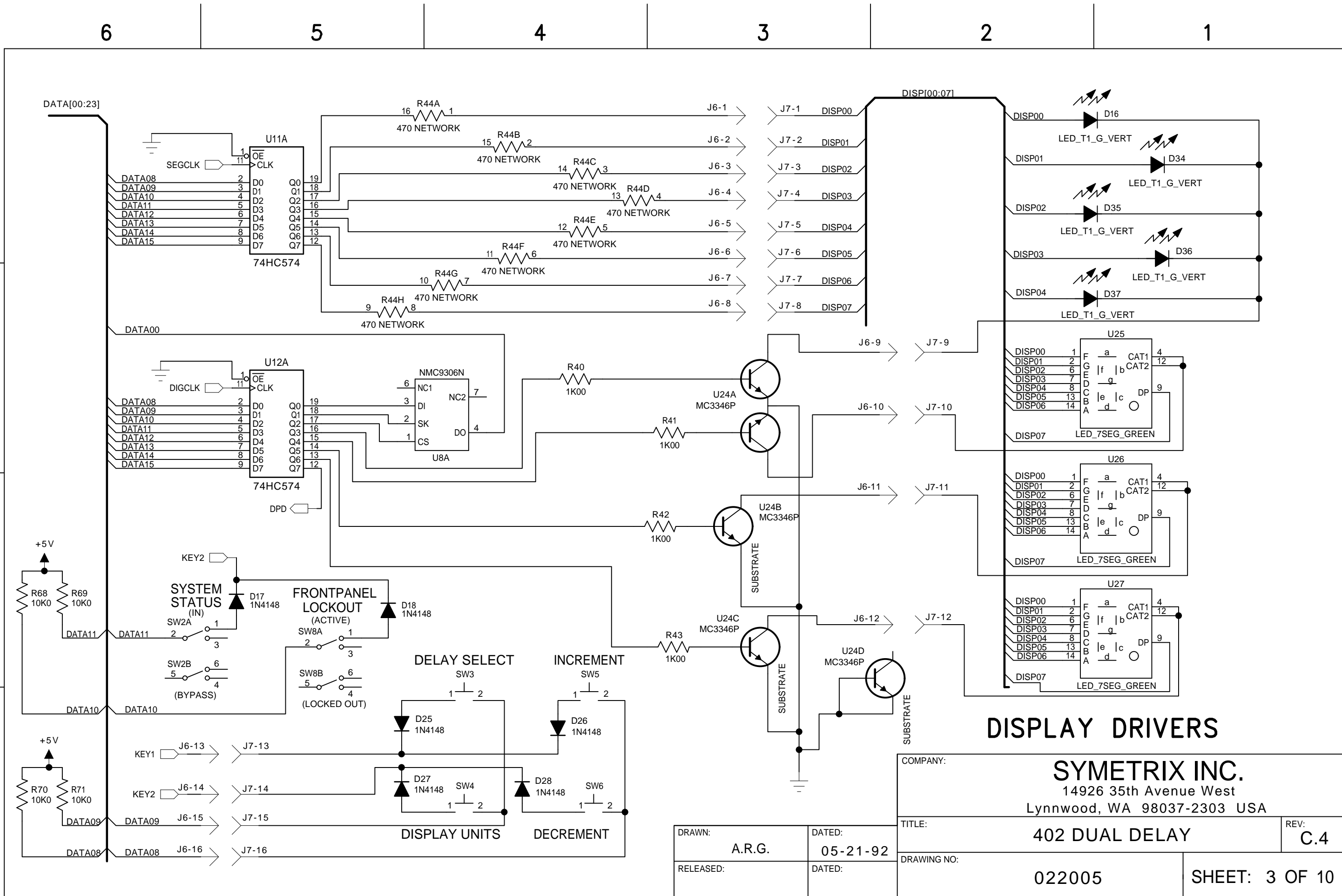
A

D

C

B

A



DISPLAY DRIVERS

COMPANY:		SYMETRIX INC.	
		14926 35th Avenue West	
		Lynnwood, WA 98037-2303 USA	
TITLE:		402 DUAL DELAY	REV: C.4
DRAWING NO:		022005	SHEET: 3 OF 10

DRAWN:	DATED:
A.R.G.	05-21-92
RELEASED:	DATED:

6

5

4

3

2

1

D

C

B

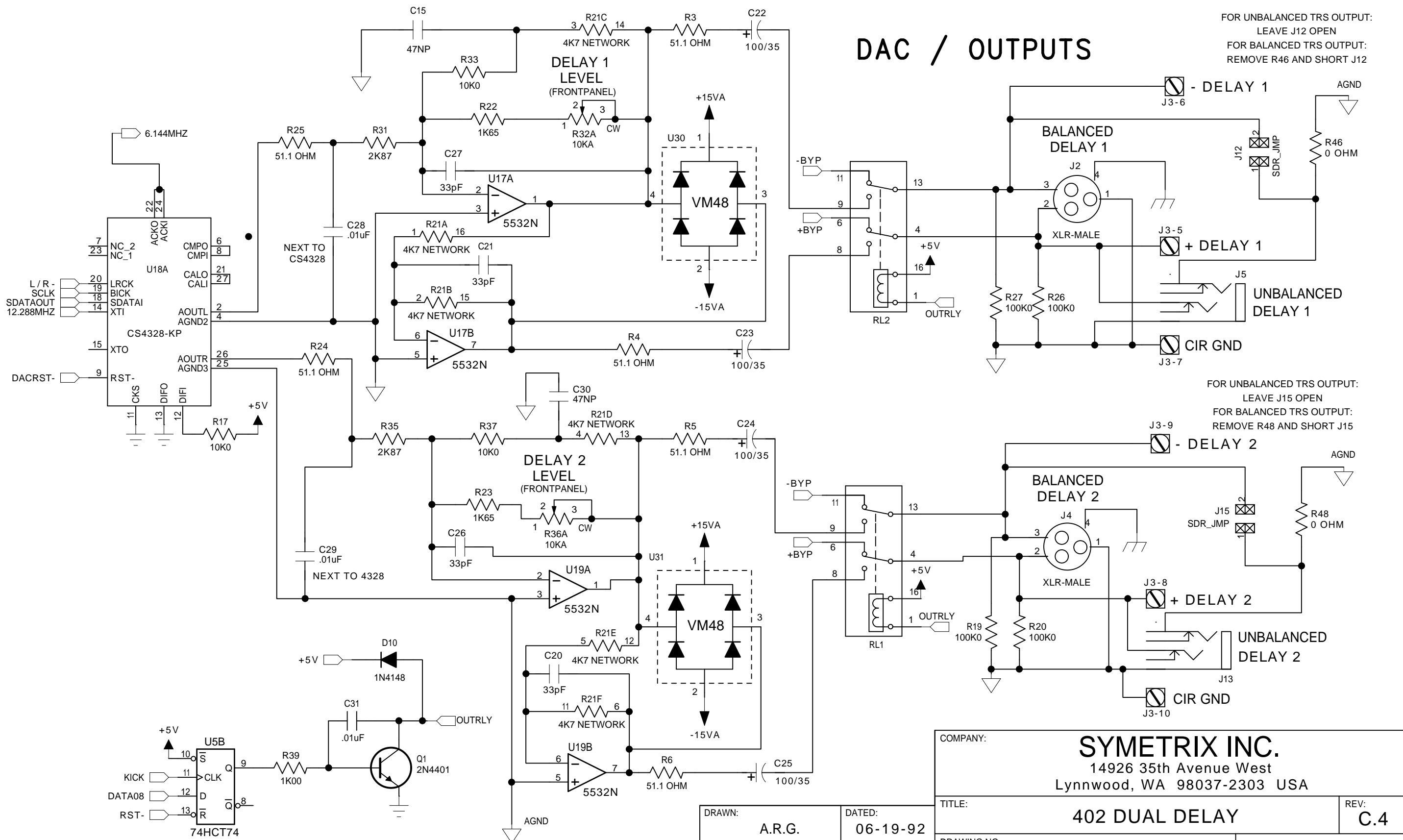
A

D

C

B

A



DAC / OUTPUTS

FOR UNBALANCED TRS OUTPUT:
LEAVE J12 OPEN
FOR BALANCED TRS OUTPUT:
REMOVE R46 AND SHORT J12

FOR UNBALANCED TRS OUTPUT:
LEAVE J15 OPEN
FOR BALANCED TRS OUTPUT:
REMOVE R48 AND SHORT J15

COMPANY:		SYMETRIX INC.	
		14926 35th Avenue West Lynnwood, WA 98037-2303 USA	
TITLE:	402 DUAL DELAY		REV: C.4
DRAWING NO:	022005	SHEET: 5 OF 10	

DRAWN:	DATED:
A.R.G.	06-19-92
RELEASED:	DATED:

6

5

4

3

2

1

D

D

C

C

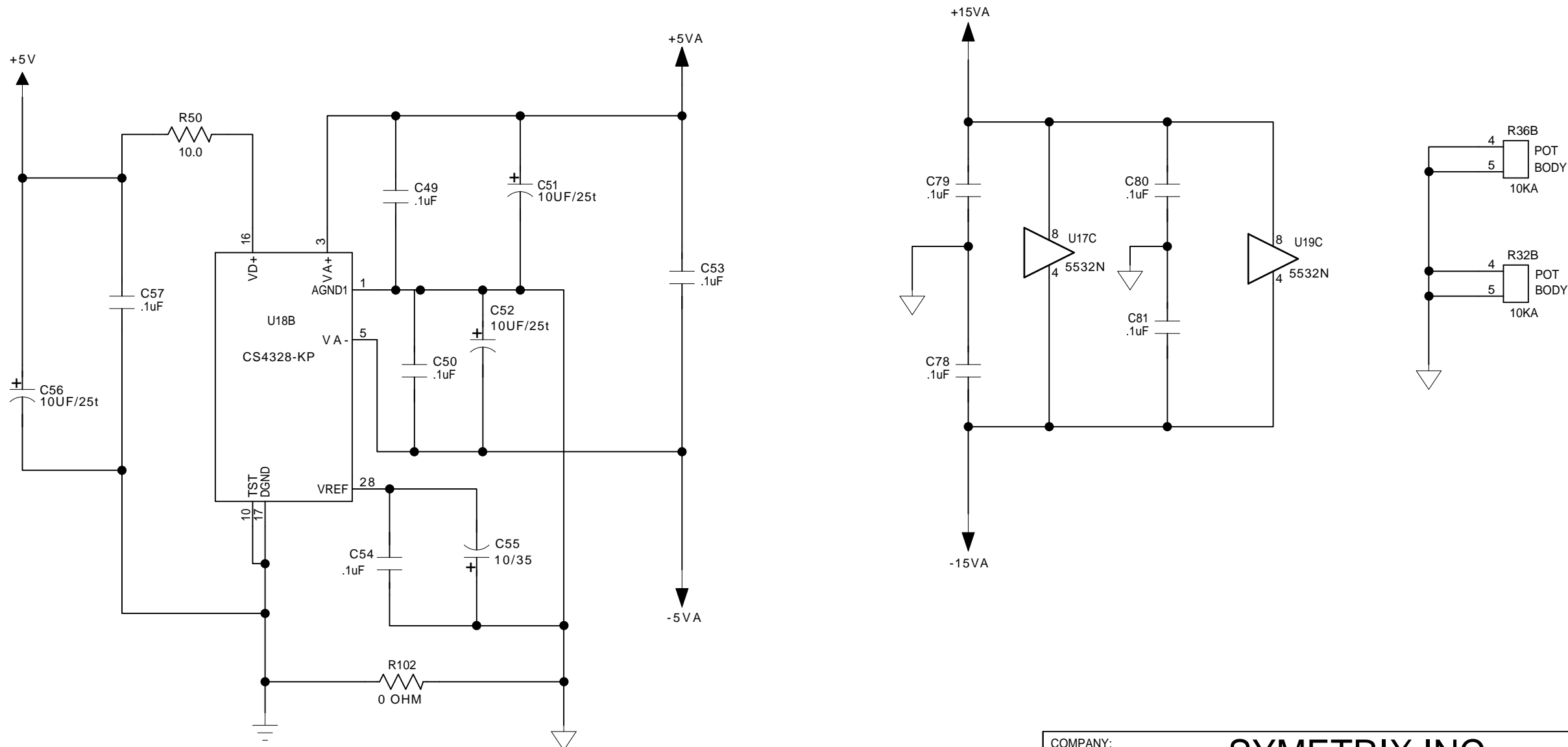
B

B

A

A

DAC AND OUTPUT POWER



COMPANY: **SYMETRIX INC.**
 14926 35th Avenue West
 Lynnwood, WA 98037-2303 USA

DRAWN: A.R.G	DATED: 05-19-92	TITLE: 402 DUAL DELAY	REV: C.4
RELEASED:	DATED:	DRAWING NO: 022005-SCH	SHEET: 7 OF 10

6

5

4

3

2

1

D

D

C

C

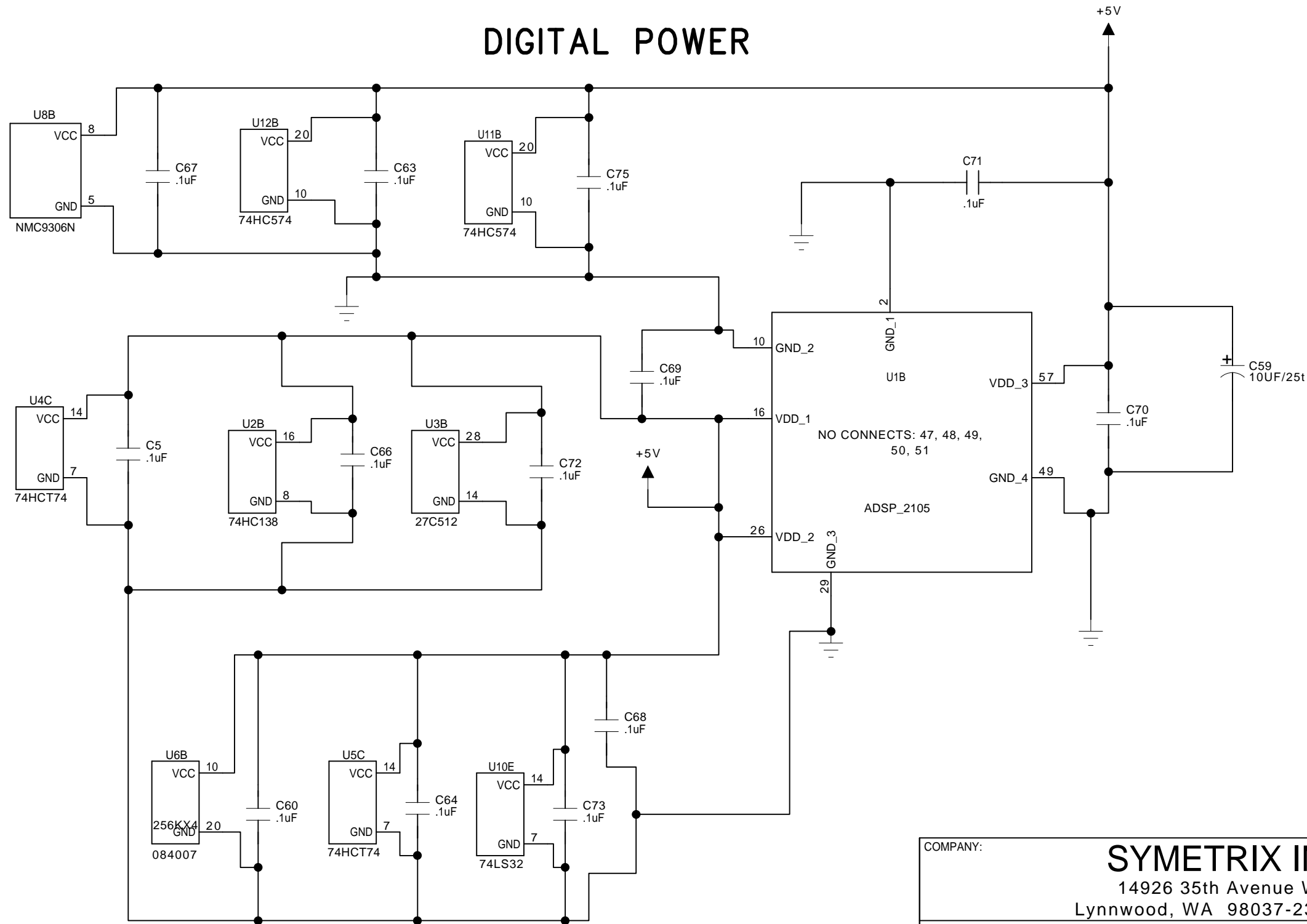
B

B

A

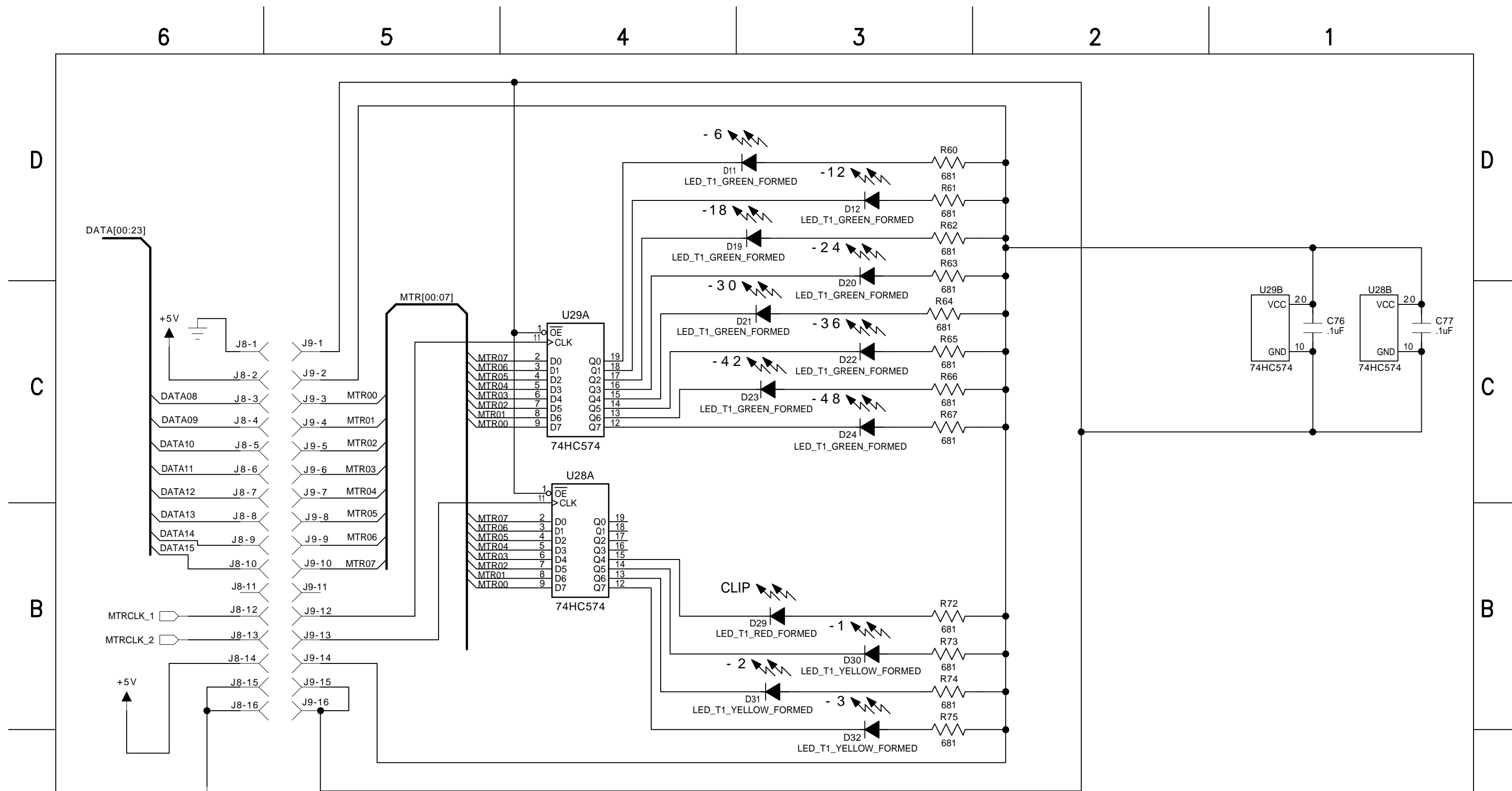
A

DIGITAL POWER



COMPANY:		SYMETRIX INC.	
		14926 35th Avenue West Lynnwood, WA 98037-2303 USA	
TITLE:		402 DUAL DELAY	REV: C.4
DRAWING NO:		022005	SHEET: 8 OF 10

DRAWN: A.R.G	DATED: 05-21-92
RELEASED:	DATED:



LEVEL METER BOARD

COMPANY: **SYMETRIX**
 14926 35th Avenue West
 Lynnwood, WA 98037-2303 USA

TITLE: **402 DUAL DELAY** REV: **C.4**

DRAWING NO: **022005** SHEET: **9 OF 10**

DRAWN: A.R.G	DATED: 06-03-92
RELEASED:	DATED:

6

5

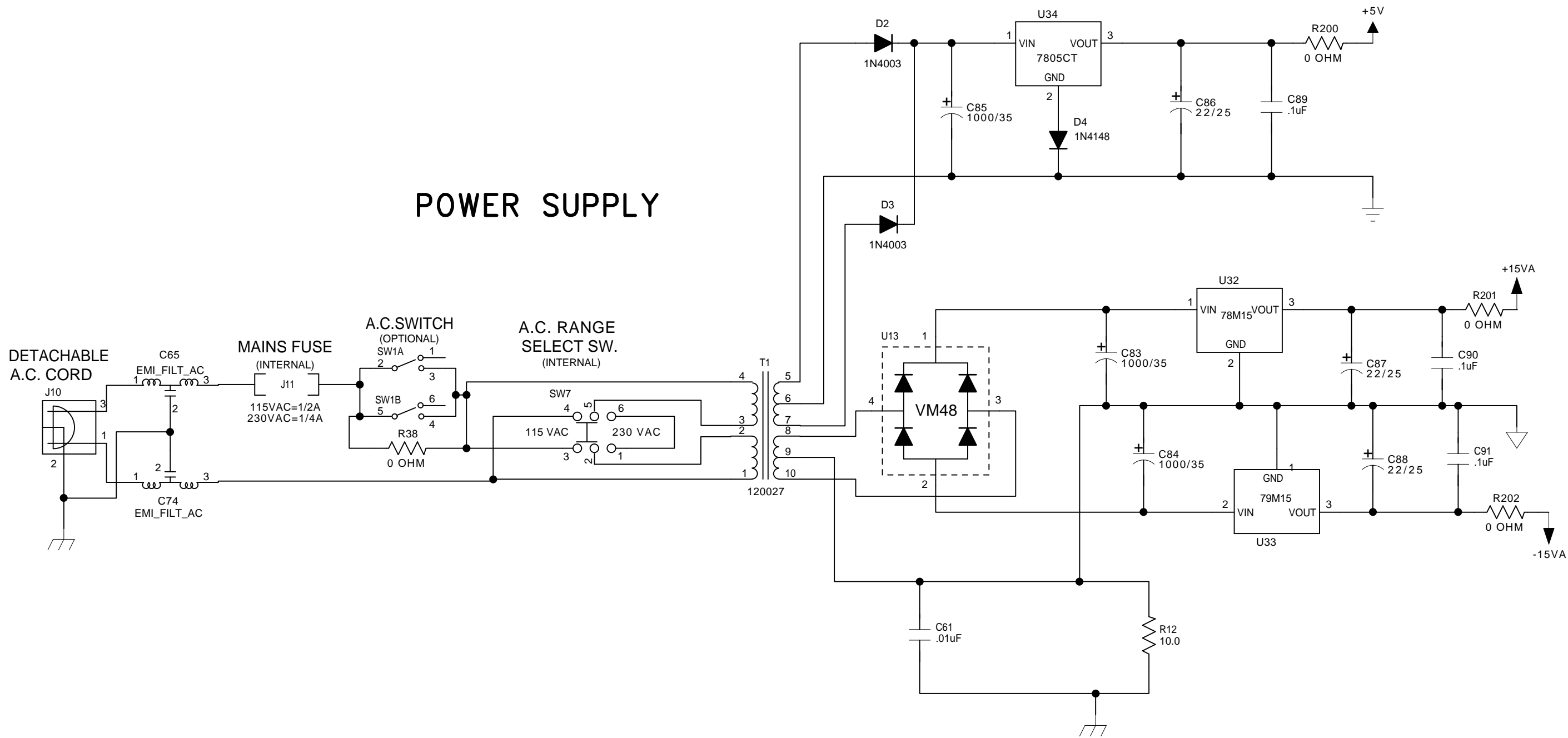
4

3

2

1

POWER SUPPLY



COMPANY: **SYMETRIX INC.**
 14926 35th Avenue West
 Lynnwood, WA 98037-2303

DRAWN: **A.R.G.**
 DATED: **06-19-92**

TITLE: **402 DUAL DELAY**

REV: **C.4**

RELEASED:

DRAWING NO: **022005**

SHEET: **10 OF 10**