

6

5

4

3

2

1

DUAL CHANNEL / MONO BRIDGED
(SHOWN IN DUAL CHAN)
(INSIDE ON PCB)

REVISION RECORD		
LTR	REVISIONS DONE OR ECO NUMBER:	DATE:
0.4	MOVED BR1, CR24, & CR27 TO AC BRD	4/94
A.0	RELEASED TO PRODUCTION	5/94
B.0	Deleted C10, C17, Changed R2-4, 6, 14-17, 22, 26, 33, 47, 52 to 1% values. Same as Schematic REV A1 & PCB REV A4.	9/19/95
C.0	CHANGED CH2 GAIN POT TO DUAL MOVED U2&7.	1/19/96

D

D

C

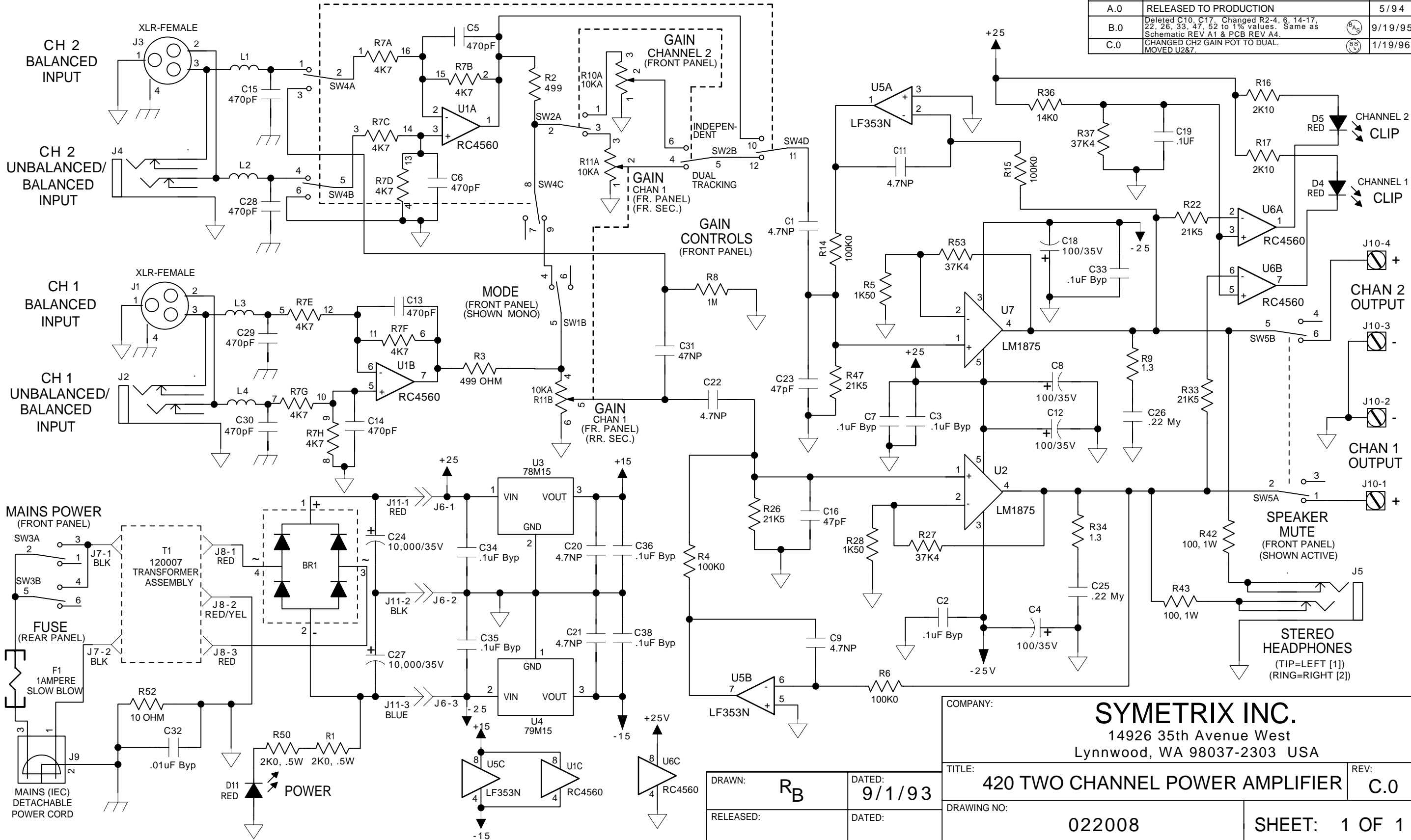
C

B

B

A

A



COMPANY: **SYMETRIX INC.**
 14926 35th Avenue West
 Lynnwood, WA 98037-2303 USA

TITLE: **420 TWO CHANNEL POWER AMPLIFIER** REV: **C.0**

DRAWING NO: **022008** SHEET: **1 OF 1**

DRAWN: **R_B** DATED: **9/1/93**

RELEASED: DATED: