

6

5

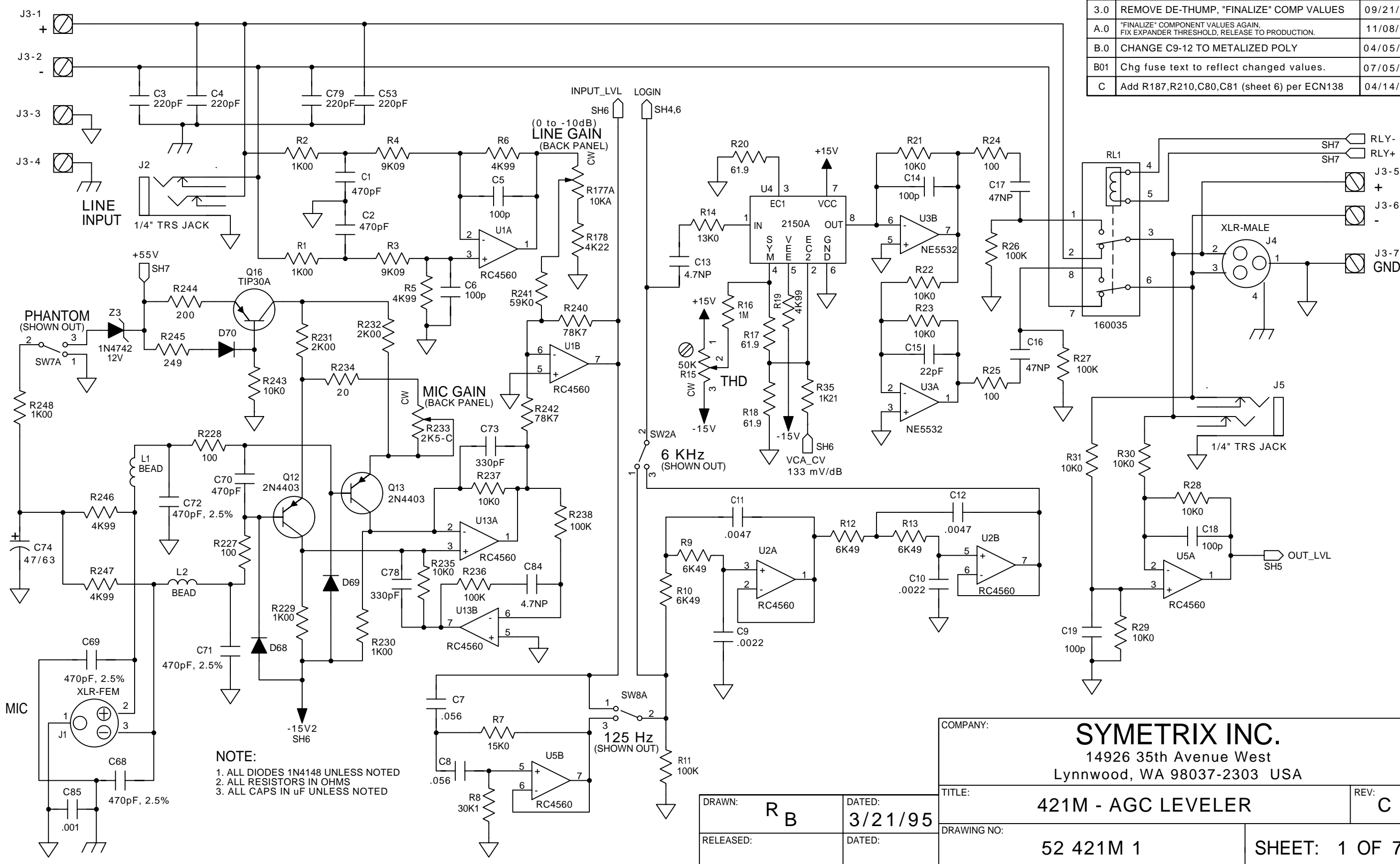
4

3

2

1

REVISION RECORD		
LTR	REVISIONS DONE OR ECO NUMBER:	DATE:
3.0	REMOVE DE-THUMP, "FINALIZE" COMP VALUES	09/21/95
A.0	"FINALIZE" COMPONENT VALUES AGAIN, FIX EXPANDER THRESHOLD, RELEASE TO PRODUCTION.	11/08/95
B.0	CHANGE C9-12 TO METALIZED POLY	04/05/96
B01	Chg fuse text to reflect changed values.	07/05/96
C	Add R187,R210,C80,C81 (sheet 6) per ECN138	04/14/99



NOTE:
 1. ALL DIODES 1N4148 UNLESS NOTED
 2. ALL RESISTORS IN OHMS
 3. ALL CAPS IN uF UNLESS NOTED

COMPANY: **SYMETRIX INC.**
 14926 35th Avenue West
 Lynnwood, WA 98037-2303 USA

TITLE: **421M - AGC LEVELER** REV: **C**

DRAWING NO: **52 421M 1** SHEET: **1 OF 7**

DRAWN: R B	DATED: 3/21/95
RELEASED:	DATED:

D

D

C

C

B

B

A

A

6

5

4

3

2

1

D

D

C

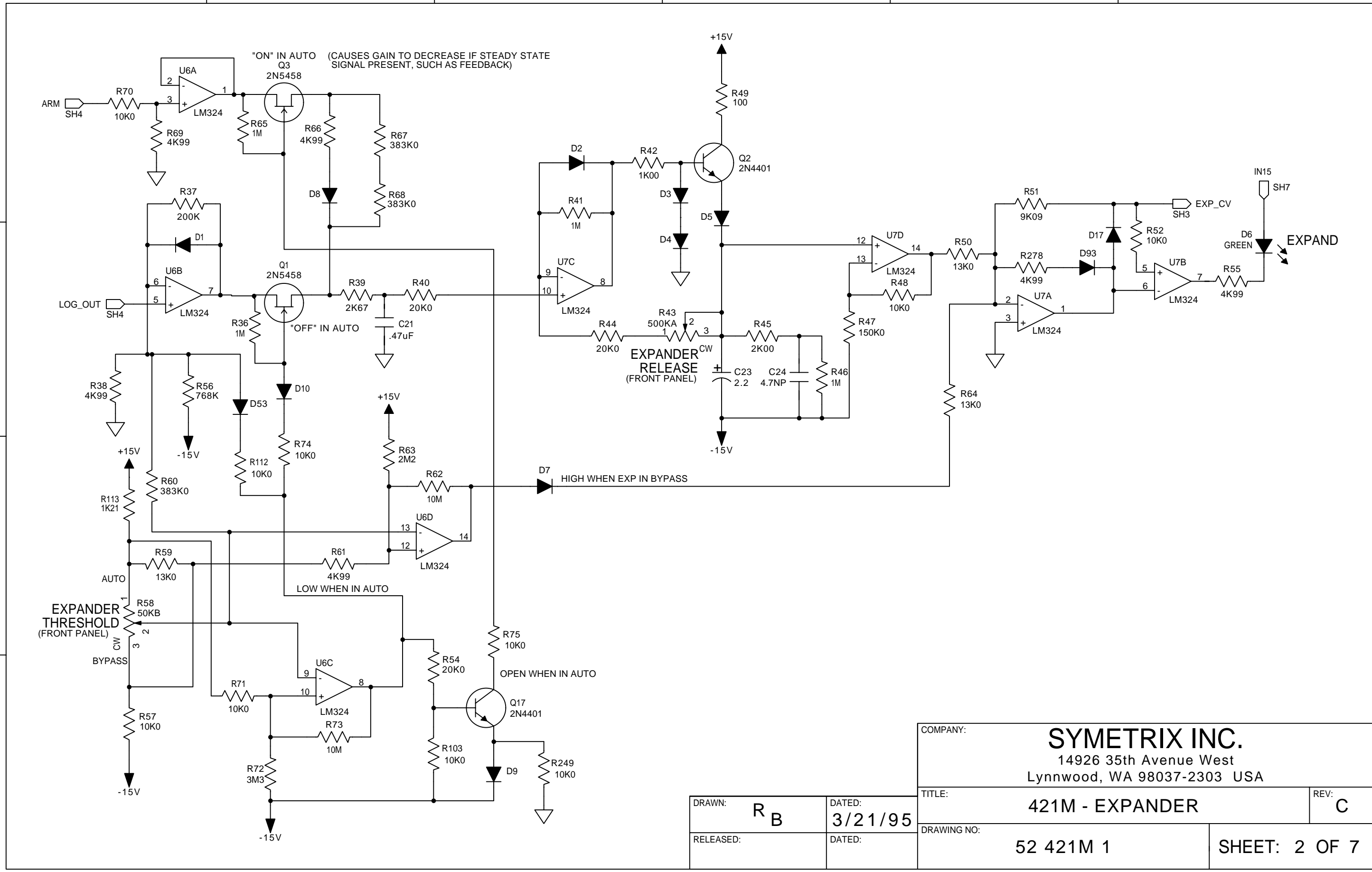
C

B

B

A

A



COMPANY:		SYMETRIX INC.	
		14926 35th Avenue West Lynnwood, WA 98037-2303 USA	
TITLE:		421M - EXPANDER	REV: C
DRAWING NO:		52 421M 1	SHEET: 2 OF 7

DRAWN:	R B	DATED:	3/21/95
RELEASED:		DATED:	

6

5

4

3

2

1

D

D

C

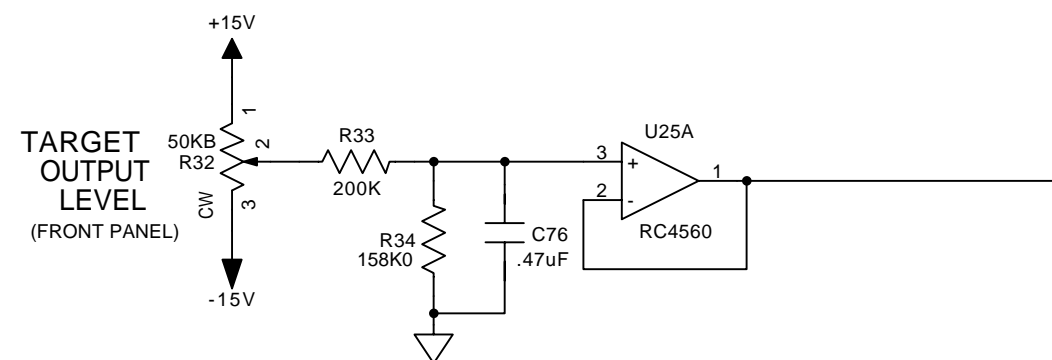
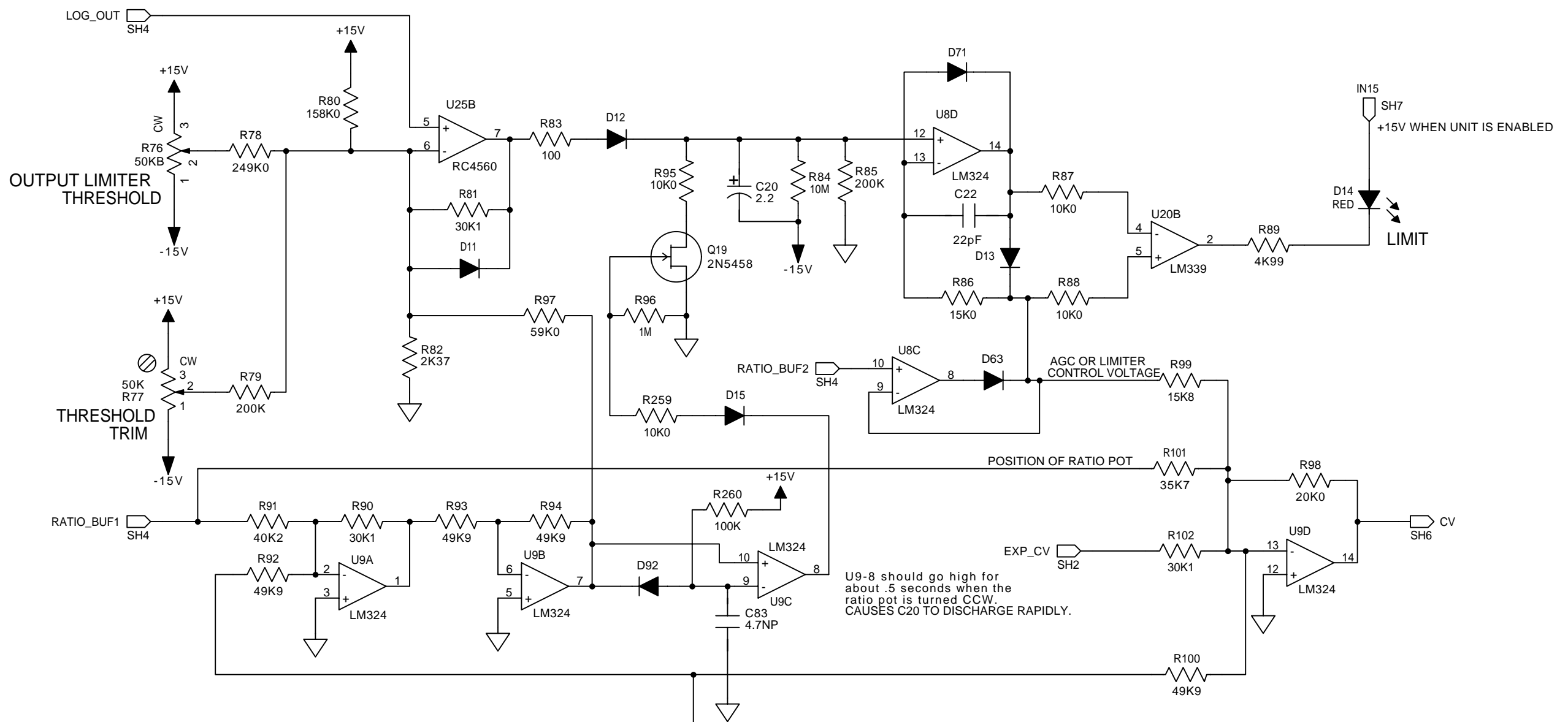
C

B

B

A

A



U9-8 should go high for about .5 seconds when the ratio pot is turned CCW. CAUSES C20 TO DISCHARGE RAPIDLY.

COMPANY:		SYMETRIX INC.	
		14926 35th Avenue West Lynnwood, WA 98037-2303 USA	
TITLE:		421M - LIMITER	
DRAWING NO:		52 421M 1	
SHEET:		3 OF 7	
DRAWN:	DATED:	REV:	
R B	3/21/95	C	
RELEASED:	DATED:		

6

5

4

3

2

1

D

D

C

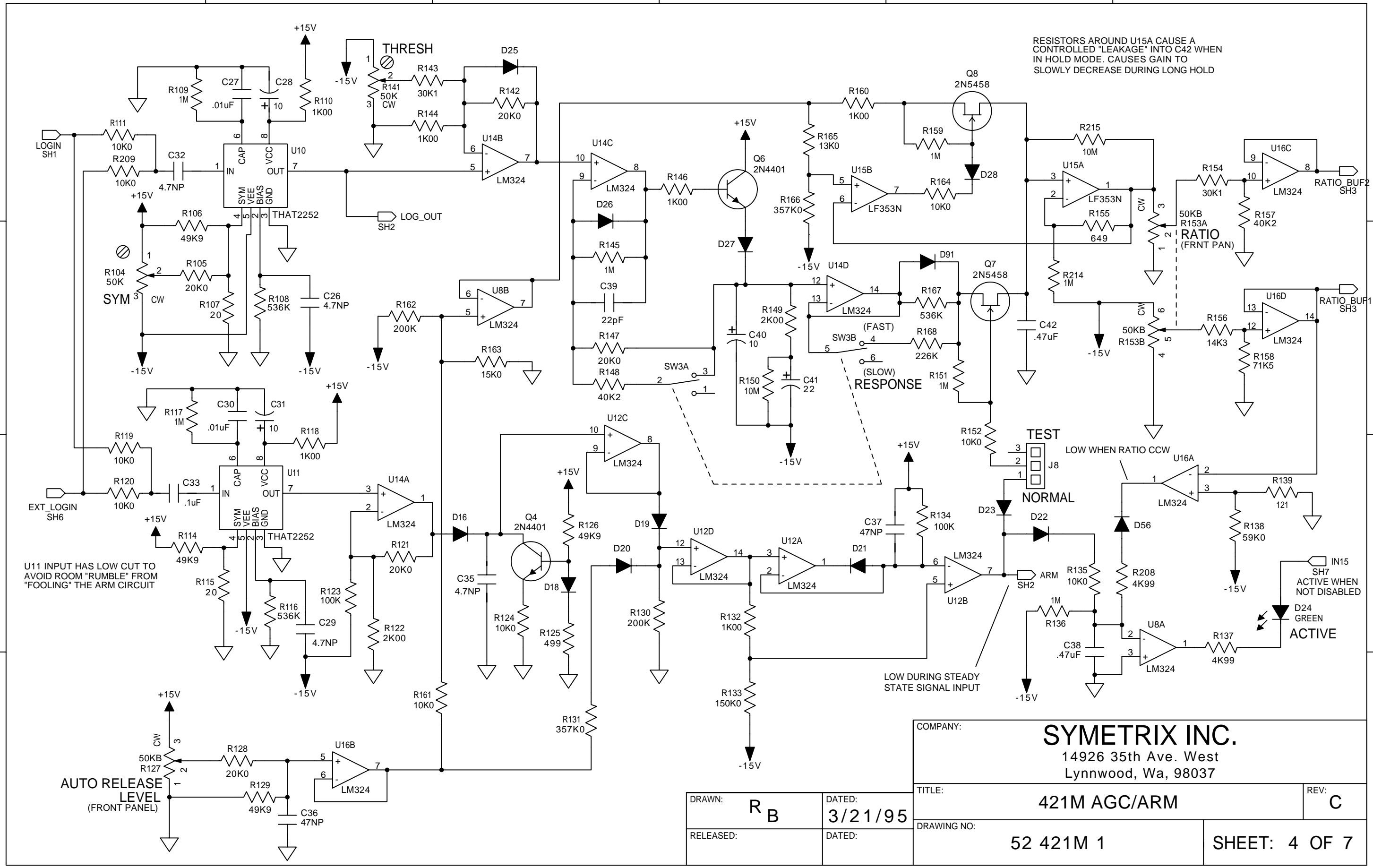
C

B

B

A

A



RESISTORS AROUND U15A CAUSE A CONTROLLED "LEAKAGE" INTO C42 WHEN IN HOLD MODE. CAUSES GAIN TO SLOWLY DECREASE DURING LONG HOLD

U11 INPUT HAS LOW CUT TO AVOID ROOM "RUMBLE" FROM "FOOLING" THE ARM CIRCUIT

TEST
J8
NORMAL
LOW WHEN RATIO CCW

AUTO RELEASE LEVEL
(FRONT PANEL)

COMPANY:		SYMETRIX INC.	
		14926 35th Ave. West Lynnwood, Wa, 98037	
DRAWN:		TITLE:	
R B		421M AGC/ARM	
DATED:		REV:	
3/21/95		C	
RELEASED:		DRAWING NO:	SHEET: 4 OF 7
		52 421M 1	

6

5

4

3

2

1

D

D

C

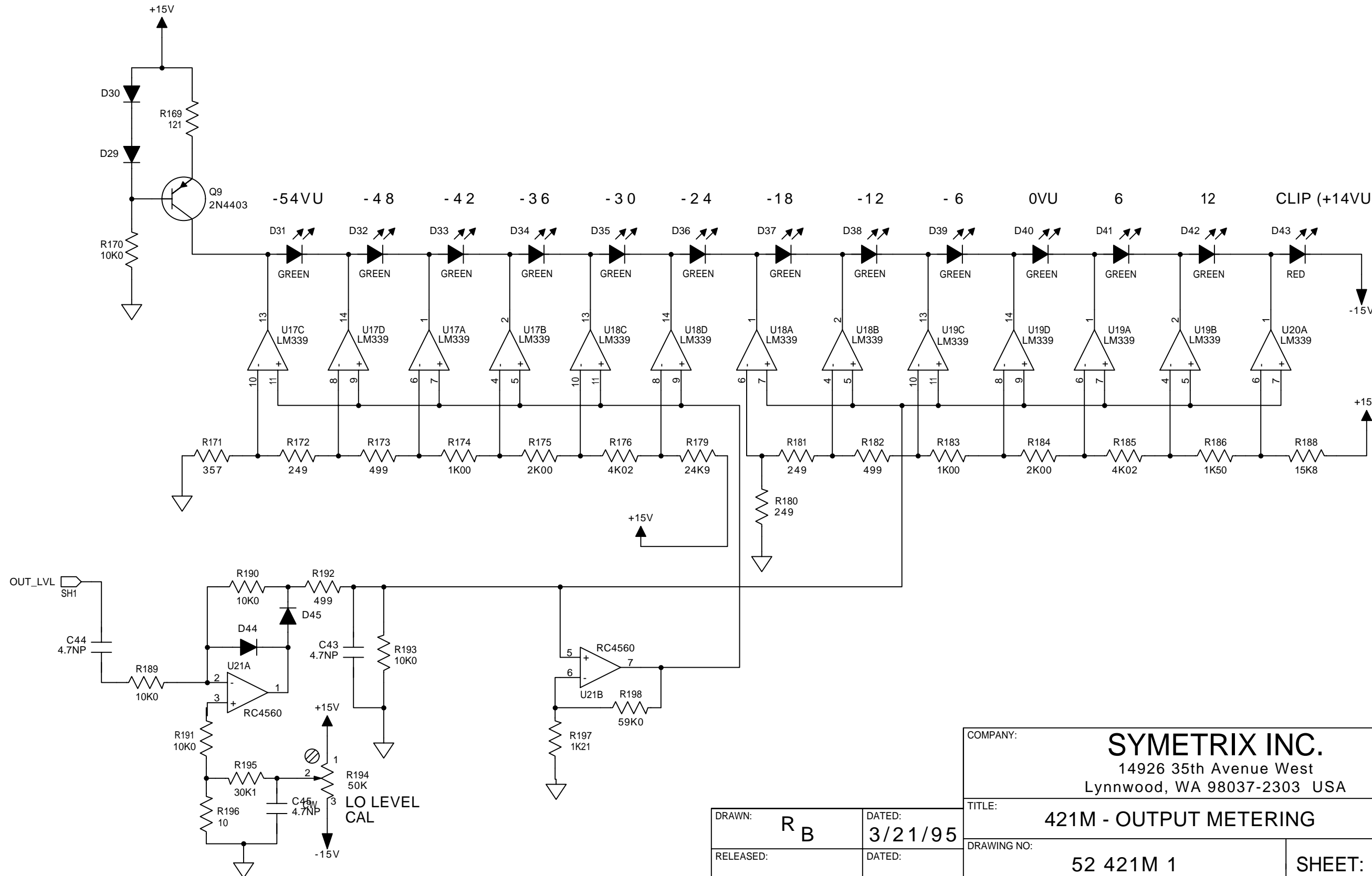
C

B

B

A

A



COMPANY:		SYMETRIX INC.	
		14926 35th Avenue West Lynnwood, WA 98037-2303 USA	
TITLE:		421M - OUTPUT METERING	REV: C
DRAWING NO:		52 421M 1	SHEET: 5 OF 7

DRAWN:	R B	DATED:	3/21/95
RELEASED:		DATED:	

6

5

4

3

2

1

D

C

B

A

D

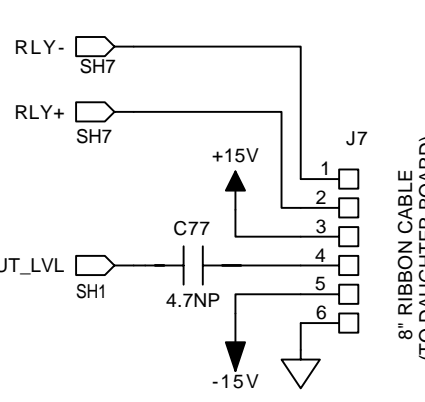
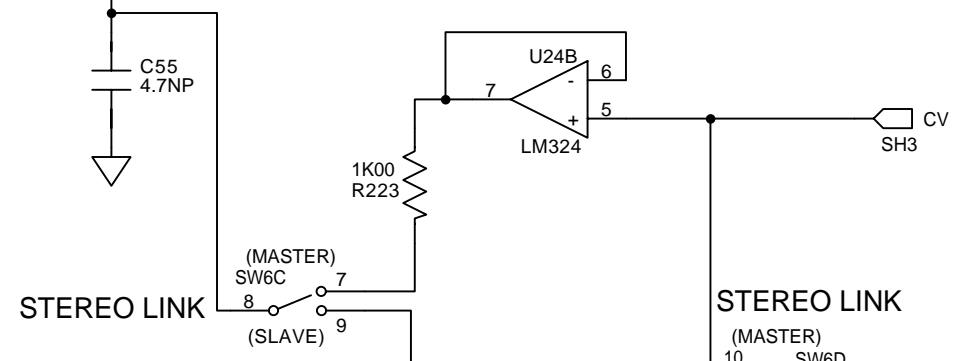
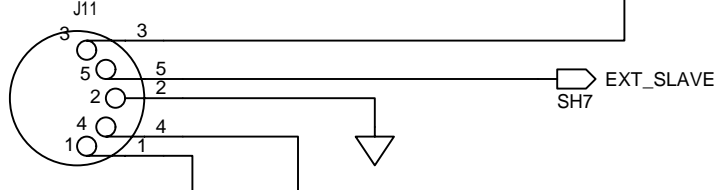
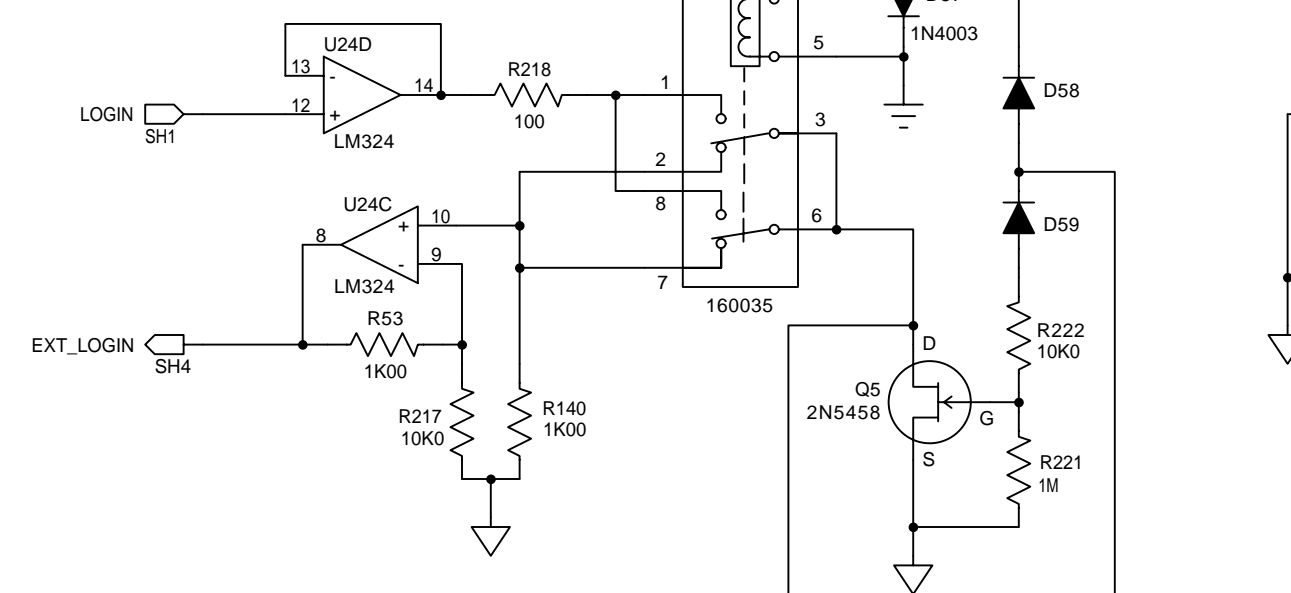
C

B

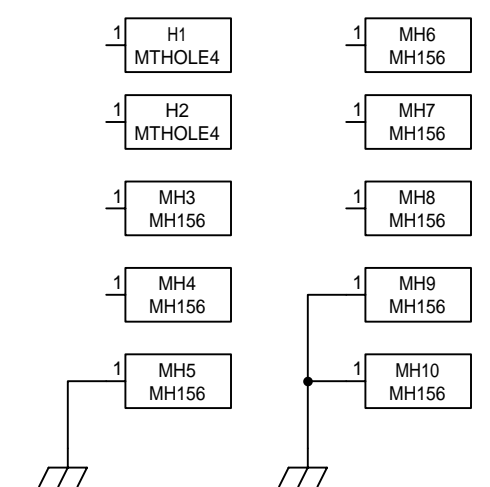
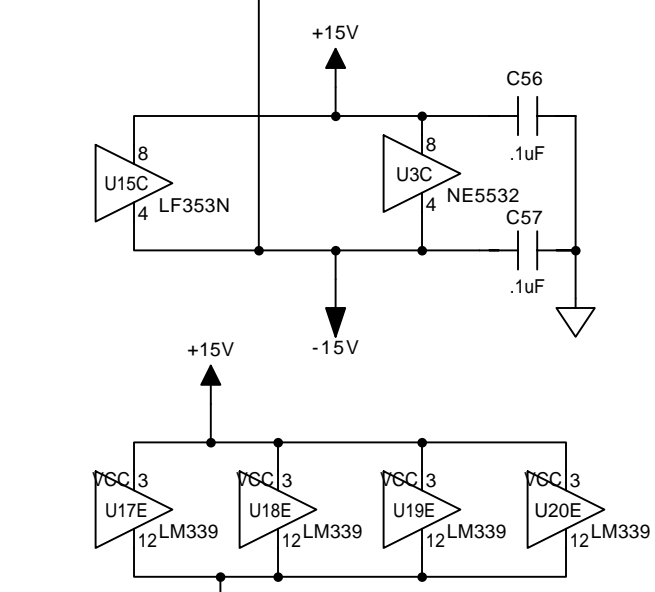
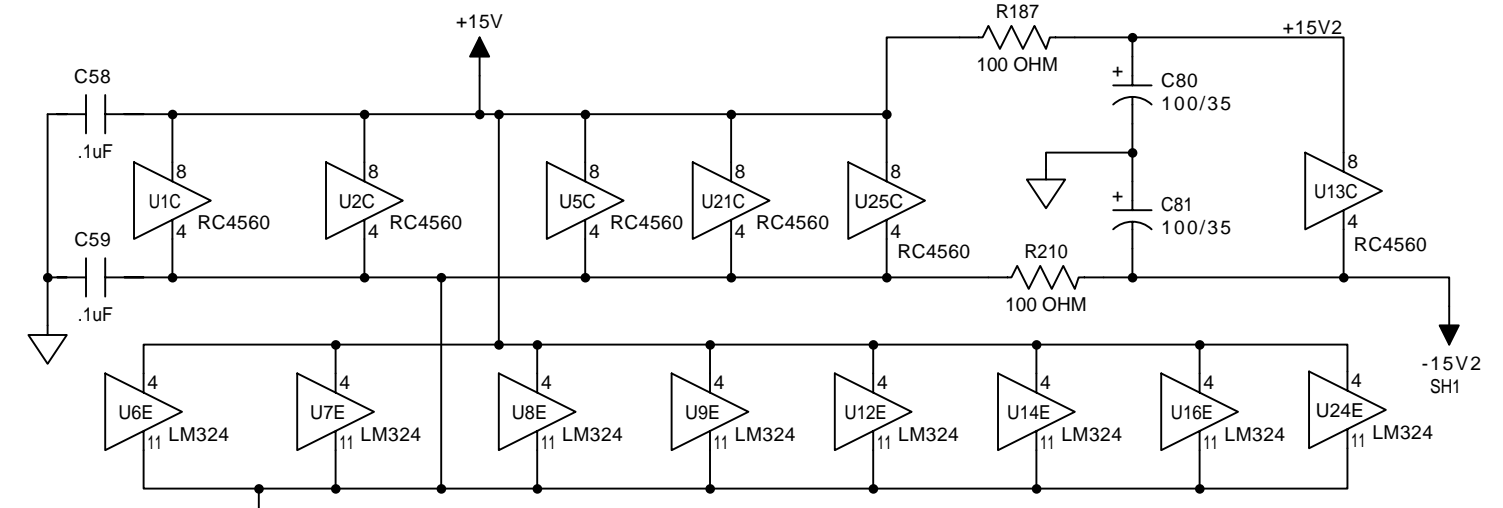
A

STEREO LINK

(MASTER)
SW6A
3
2
1
(SLAVE)
-2.4V
SH7



8" RIBBON CABLE
(TO DAUGHTER BOARD)



COMPANY:		SYMETRIX INC.	
		14926 35th Avenue West Lynnwood, WA 98037-2303 USA	
TITLE:	421M - STEREO LINK/PWR DIST		REV:
			C
DRAWING NO:	52 421M 1		SHEET: 6 OF 7

DRAWN:	R B	DATED:	3/21/95
RELEASED:		DATED:	

6

5

4

3

2

1

D

D

C

C

B

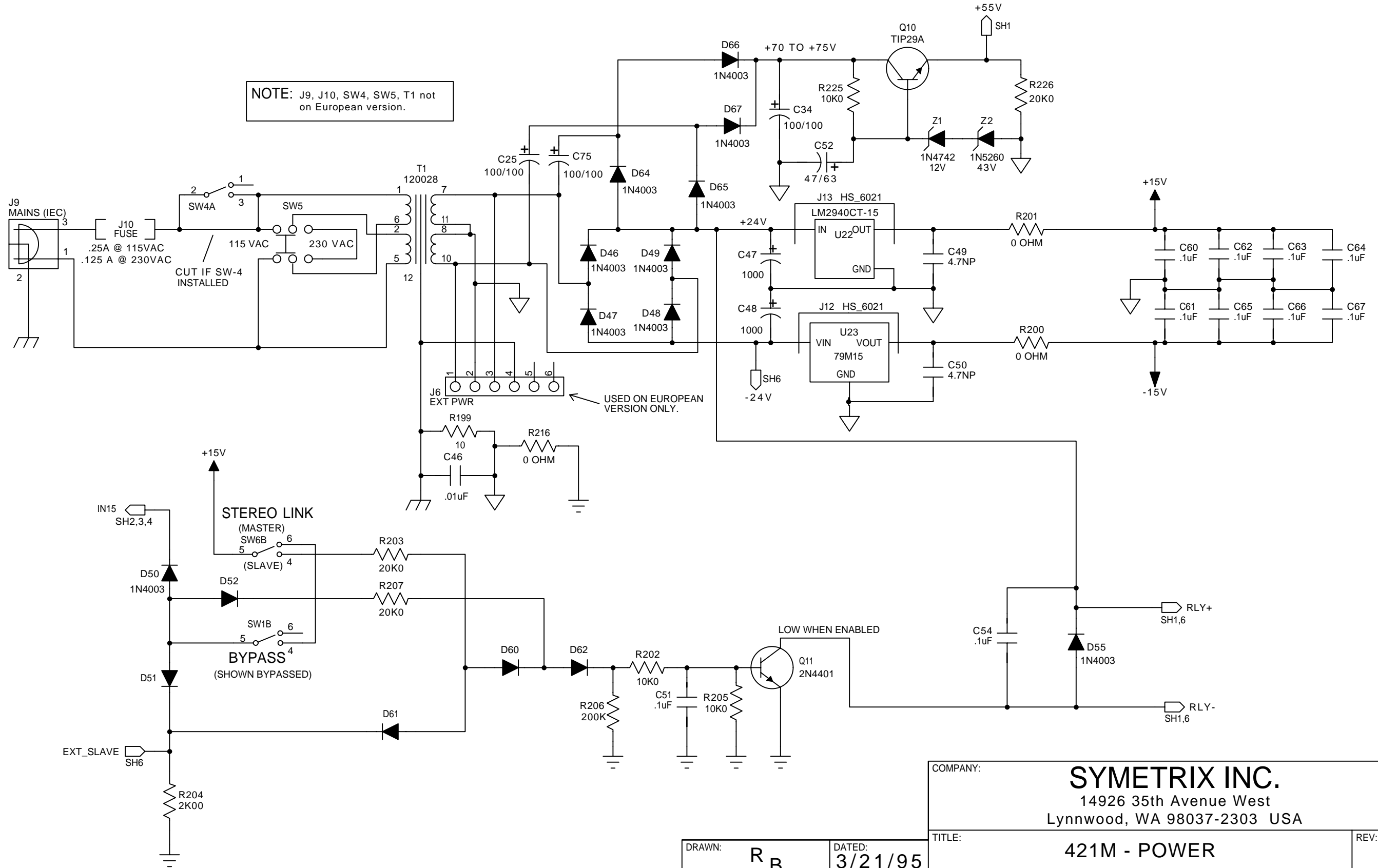
B

A

A

NOTE: J9, J10, SW4, SW5, T1 not on European version.

USED ON EUROPEAN VERSION ONLY.



COMPANY:		SYMETRIX INC.	
		14926 35th Avenue West Lynnwood, WA 98037-2303 USA	
TITLE:		421M - POWER	REV: C
DRAWING NO:		52 421M 1	SHEET: 7 OF 7

DRAWN:	R B	DATED:	3/21/95
RELEASED:		DATED:	