

6

5

4

3

2

1

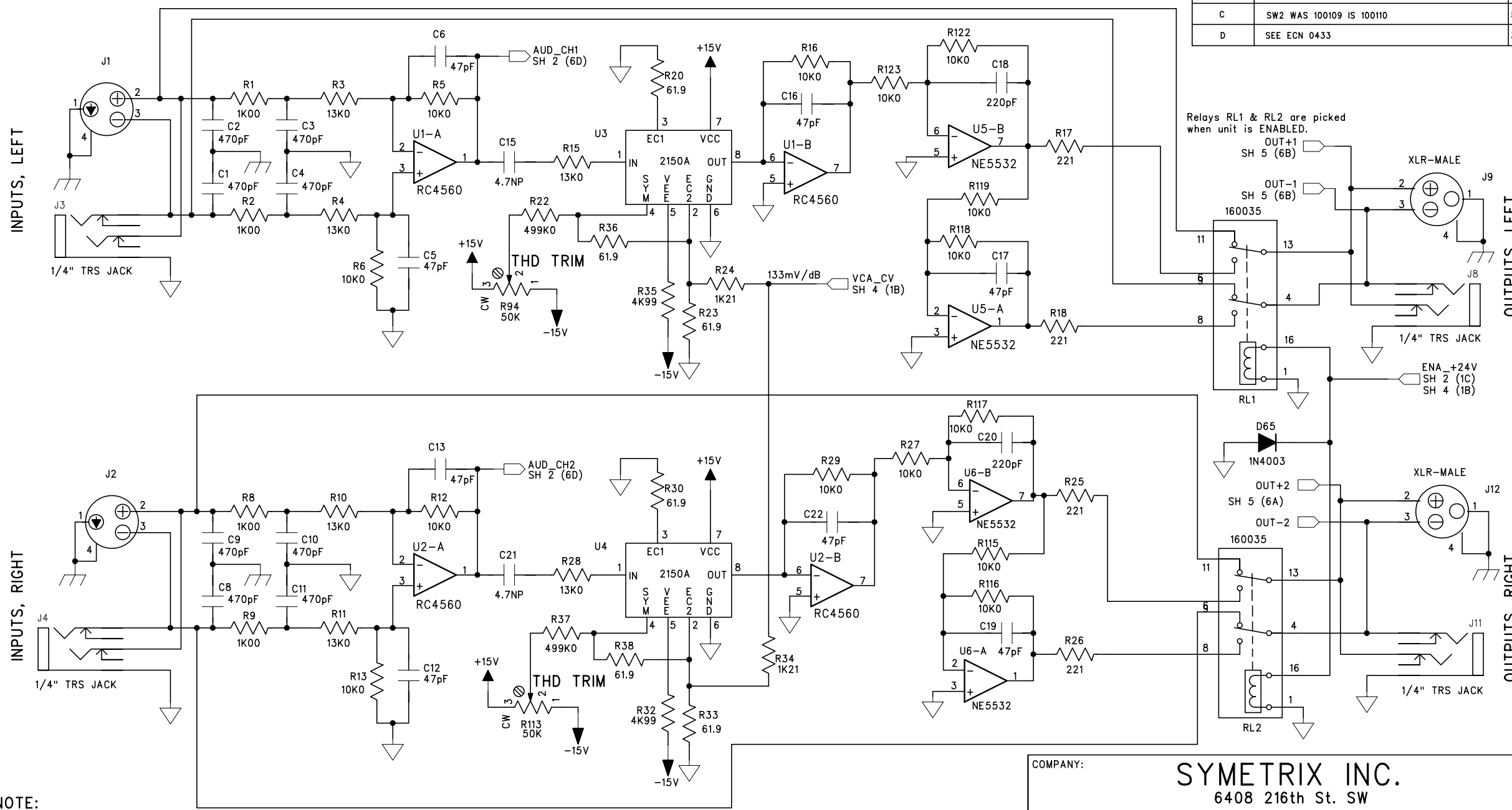
REVISION RECORD		
LTR	REVISIONS DONE OR ECO NUMBER	DATE:
A	Release to Production (Eeey Hahh!)	9/6/95
B.0	Chg R105 to 37K4, R63 to 249K. Clarify text.	10/11/95
C	SW2 WAS 100109 IS 100110	5/27/99
D	SEE ECN 0433	3/17/03

INPUTS, LEFT

INPUTS, RIGHT

OUTPUTS, LEFT

OUTPUTS, RIGHT



- NOTE:
1. All caps in uF unless otherwise noted.
  2. All resistors in Ohms
  3. All diodes are 1N4148 unless otherwise noted.
  4. All potentiometers with "screw adjust" graphic are trimmers.

COMPANY: **SYMETRIX INC.**  
 6408 216th St. SW  
 Mountlake Terrace, WA 98043

DRAWN: RB ☺	DATED: 10/18/94	TITLE: 422 INPUT/OUTPUT	REV: D
RELEASED:	DATED:	DRAWING NO: 022422	SHEET: 1 OF 6

6

5

4

3

2

1

D

D

C

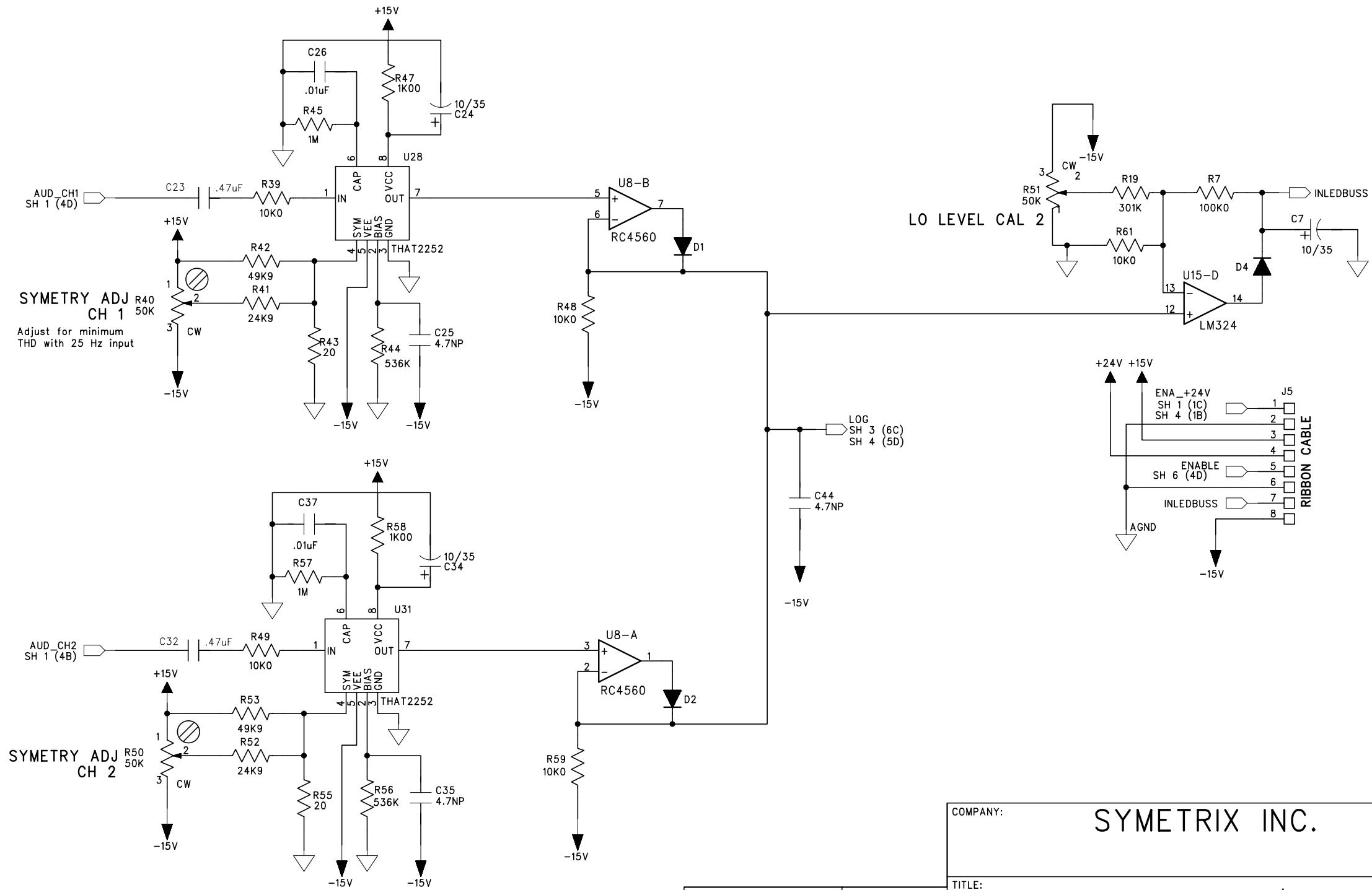
C

B

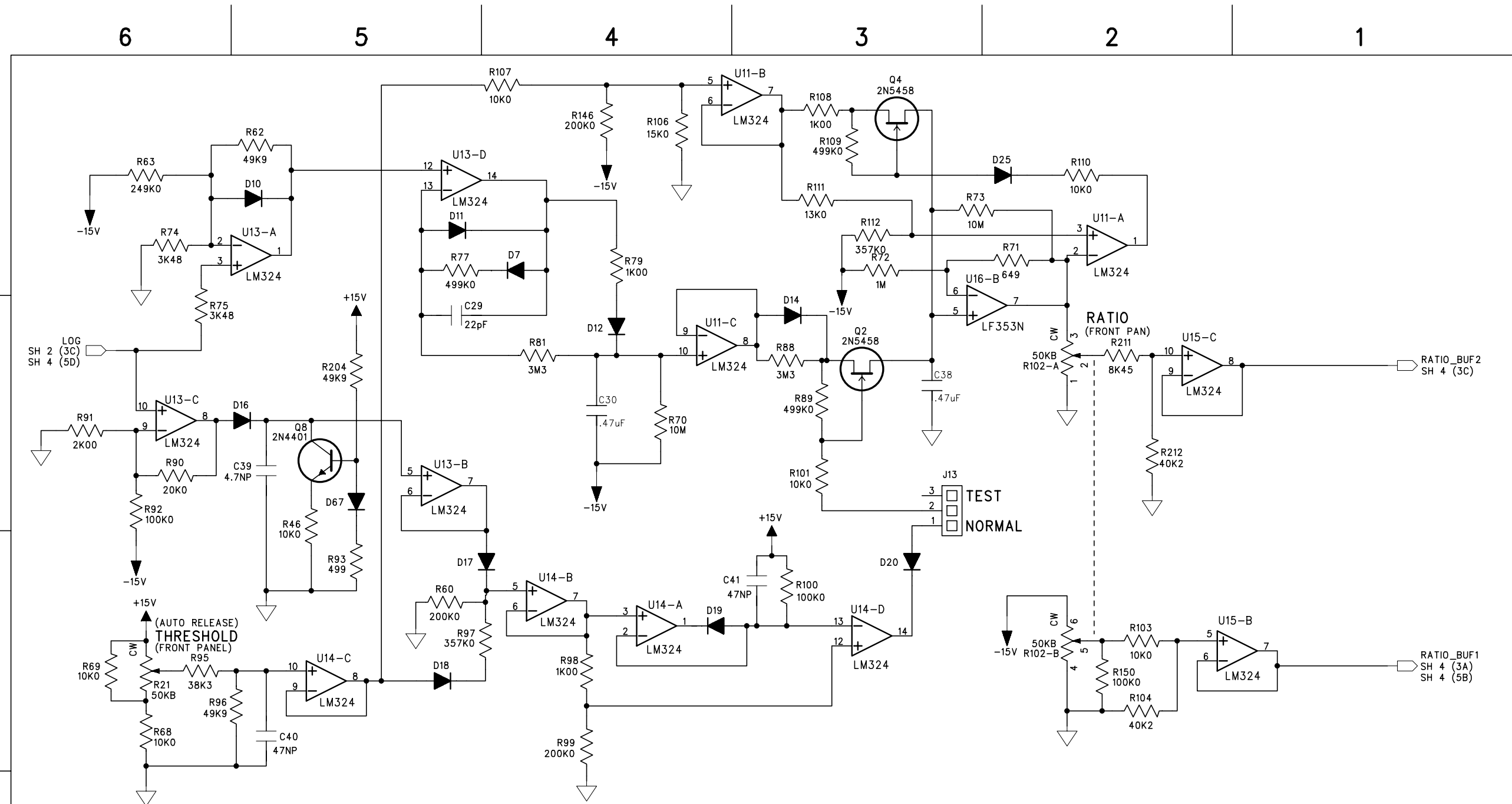
B

A

A



COMPANY:		SYMETRIX INC.	
DRAWN:	DATED:	TITLE:	2CH ABSOLUTE VALUE/LOGGING
RELEASED:	DATED:	DRAWING NO:	022422
		REV:	D
		SHEET:	2 OF 6



COMPANY: SYMETRIX INC.

TITLE: 422 - ARM THRESHOLD REV: D

DRAWING NO: 022422 SHEET: 3 OF 6

DRAWN: DATED:

RELEASED: DATED:

6

5

4

3

2

1

D

C

B

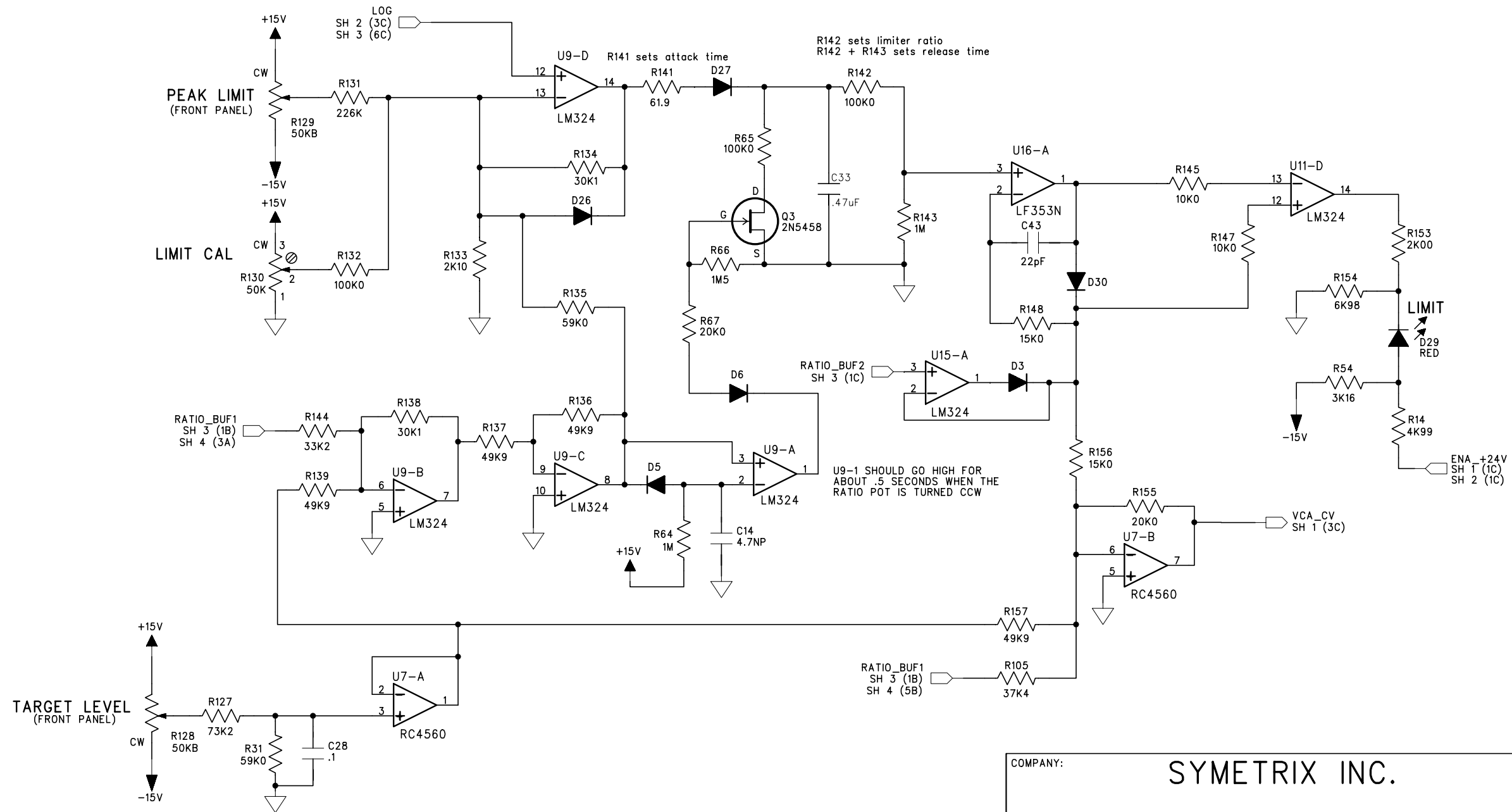
A

D

C

B

A



R127 & R31 sets range (delta) of target level

U9-1 SHOULD GO HIGH FOR ABOUT .5 SECONDS WHEN THE RATIO POT IS TURNED CCW

R142 sets limiter ratio  
R142 + R143 sets release time

R141 sets attack time

COMPANY: SYMETRIX INC.

TITLE: 422 - LIMITER REV: D

DRAWING NO: 022422 SHEET: 4 OF 6

DRAWN: DATED:

RELEASED: DATED:

6

5

4

3

2

1

D

C

B

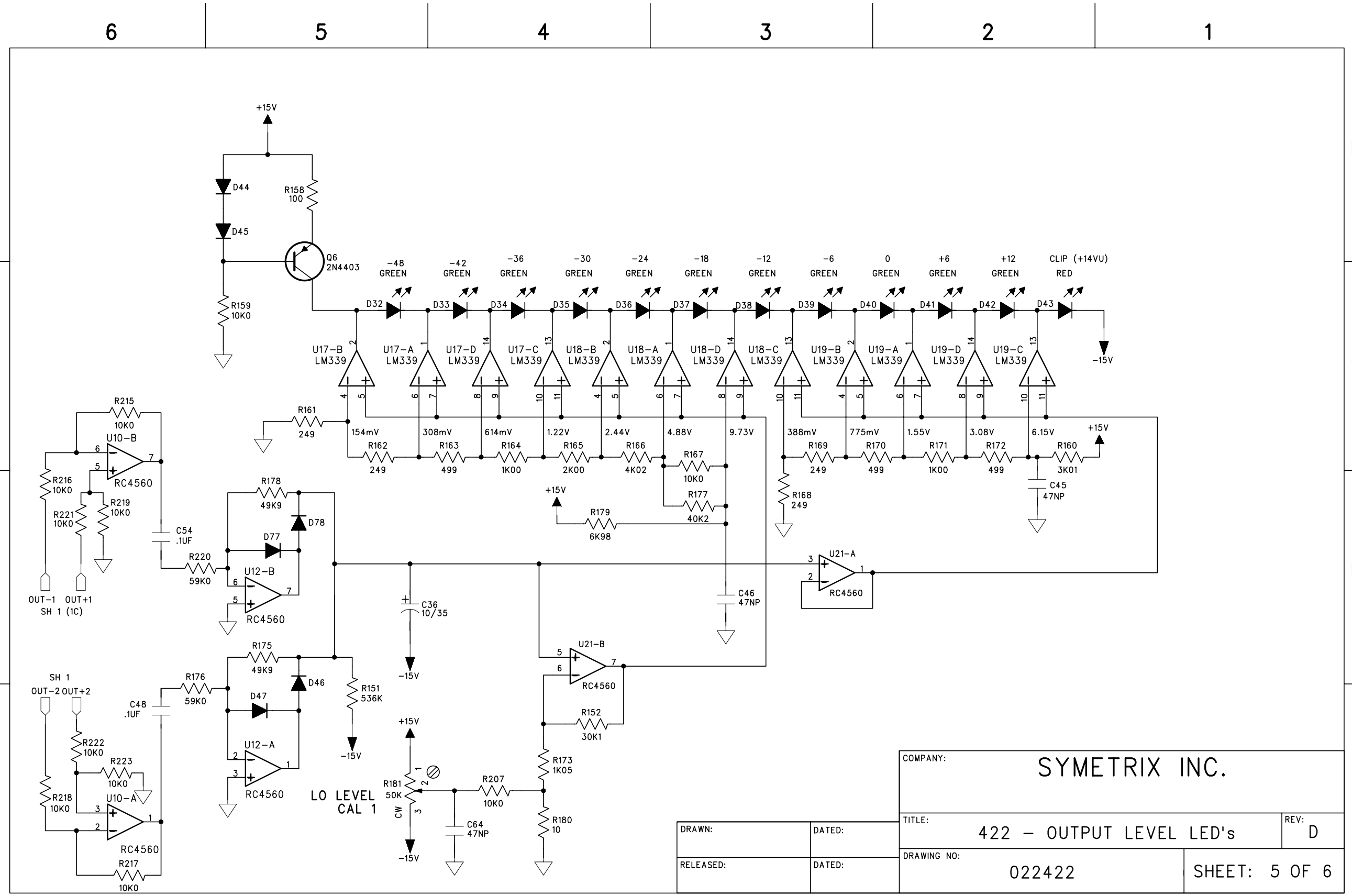
A

D

C

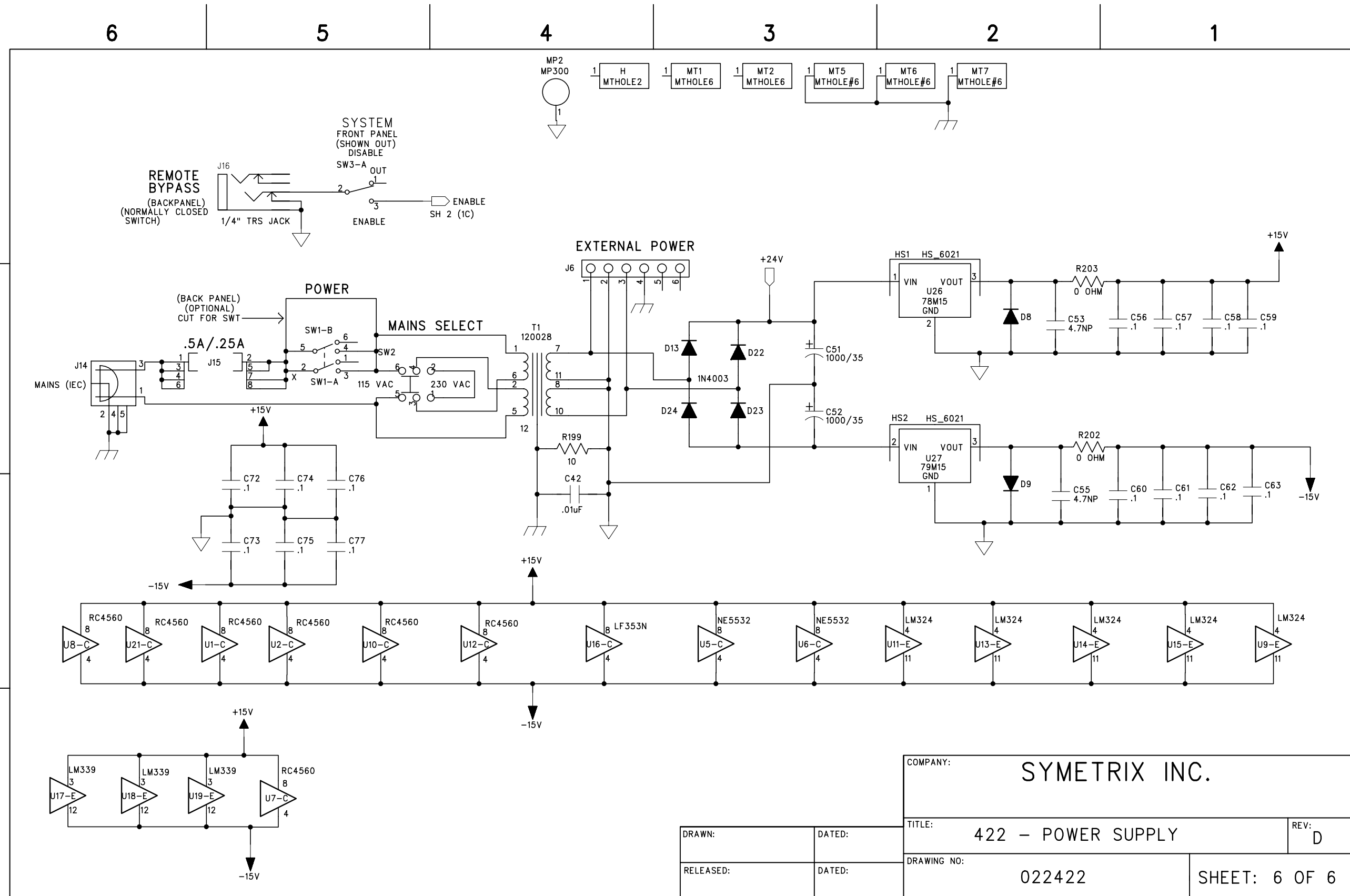
B

A



COMPANY:		SYMETRIX INC.	
TITLE:		422 - OUTPUT LEVEL LED's	REV: D
DRAWING NO:		022422	SHEET: 5 OF 6

DRAWN:	DATED:
RELEASED:	DATED:



COMPANY: SYMETRIX INC.

TITLE: 422 - POWER SUPPLY REV: D

DRAWING NO: 022422 SHEET: 6 OF 6

DRAWN: DATED:

RELEASED: DATED: