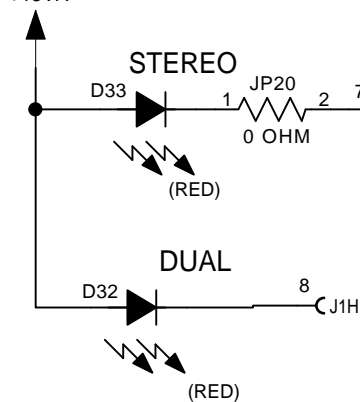
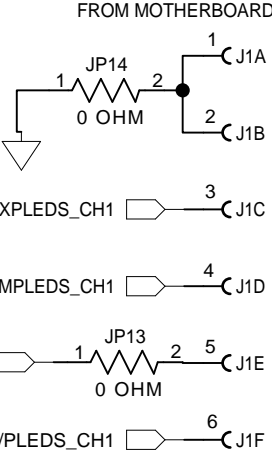


REVISION RECORD		
LTR	REVISIONS DONE OR ECO NUMBER:	DATE:
B	VALUE CHANGES IN OUTPUT LED STRING	12/19/91
C	C4 & C5 ADDED AS PER ECO 169	2/13/92
D	CHANGES AS PER ECO 425-001	7/9/92
E	ECO 425-8 SWAPPING LED REF DES. D40-D43 & D60-D63	8/24/93 B.G.
A0	CORRECTED P/N AND DWG ERRORS, CHG'D REV TO CONFORM TO NEW CONVENTION.	3/20/95



COMPANY:		SYMETRIX INC.	
		14926 35th Ave. W. Lynnwood, WA 98037	
TITLE:		425 LED DAUGHTERBOARD	REV: A0
DRAWING NO:		023425	SHEET: 1 OF 4

DRAWN:	DATED:
RELEASED:	DATED:

D

D

C

C

B

B

A

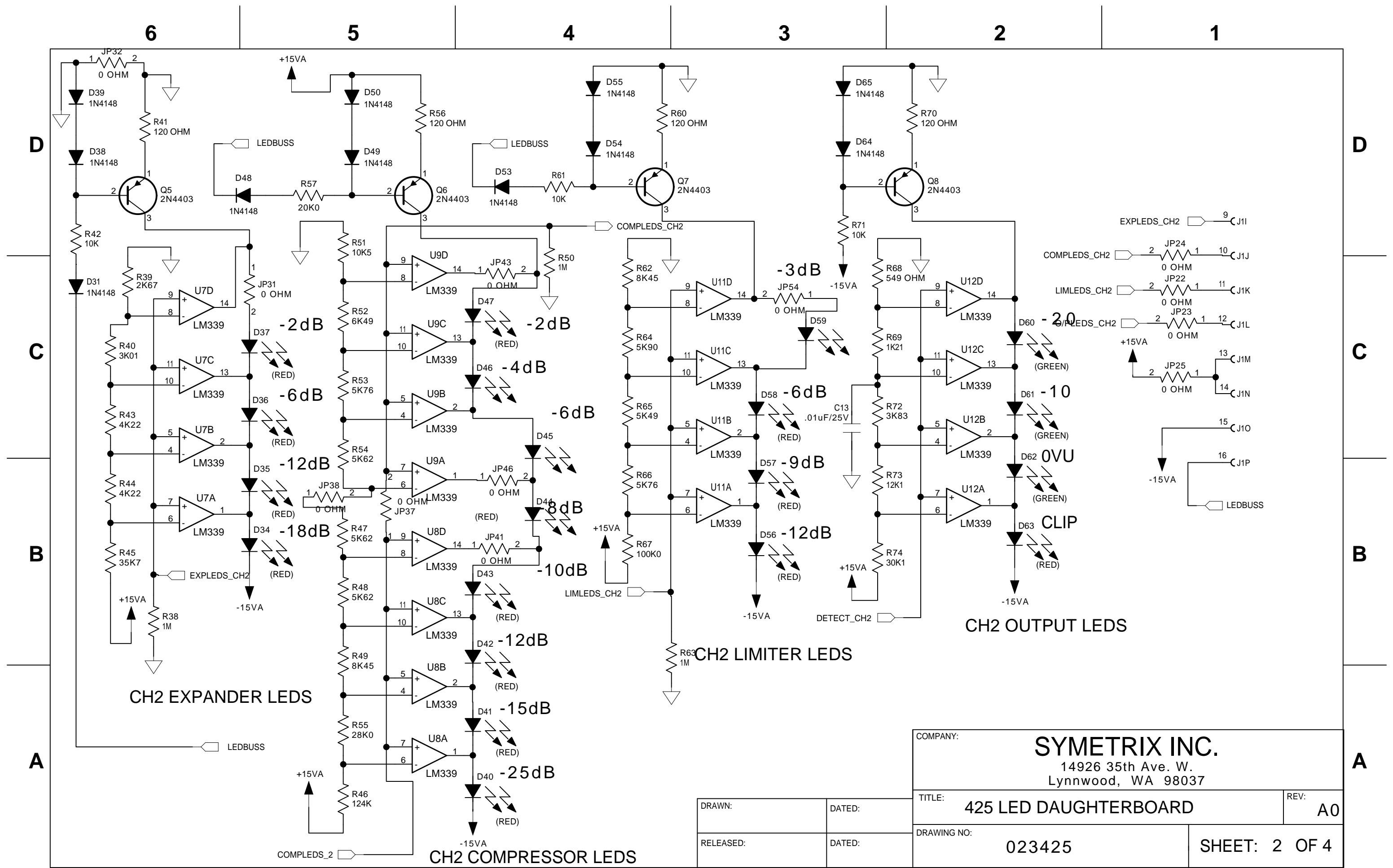
A

CH1 EXPANDER LEDES

CH1 LIMITER LEDES

CH1 OUTPUT LEDES

CH1 COMPRESSOR LEDES



COMPANY:		SYMETRIX INC. 14926 35th Ave. W. Lynnwood, WA 98037	
TITLE:			
DRAWING NO:		023425	
DRAWN:		DATED:	
RELEASED:		DATED:	
SHEET: 2 OF 4			

6

5

4

3

2

1

D

D

C

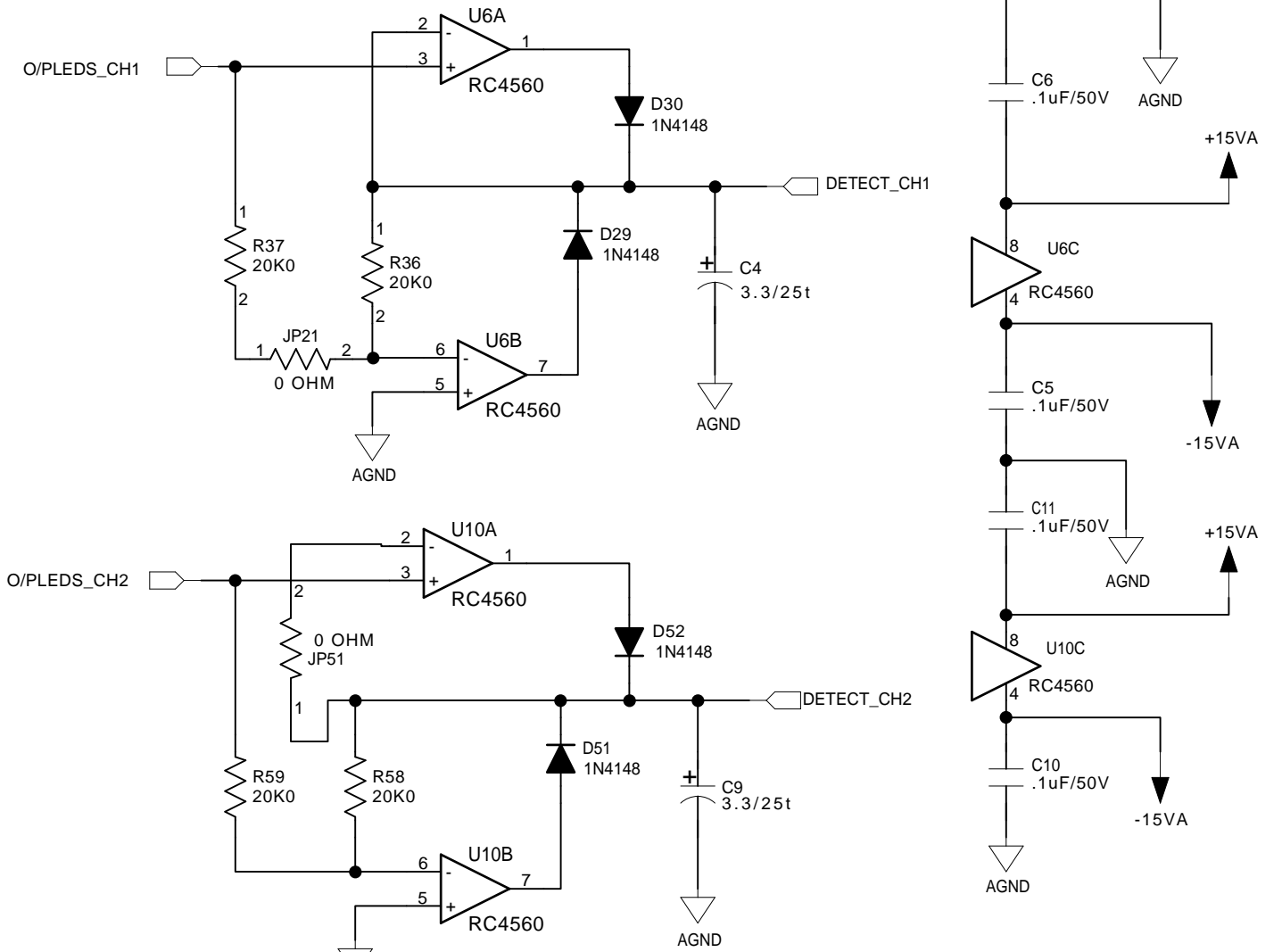
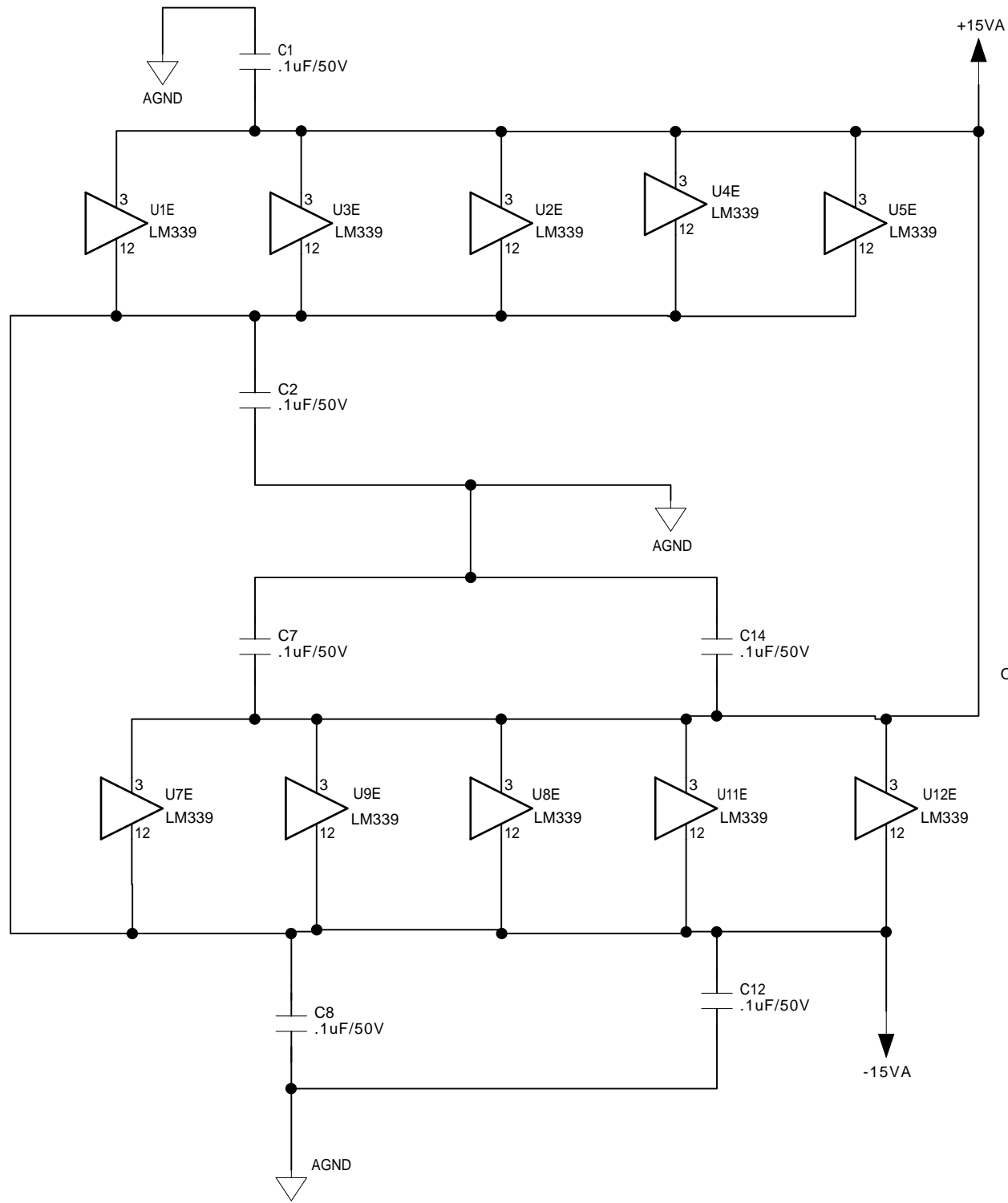
C

B

B

A

A



COMPANY: **SYMETRIX INC.**
 14926 35th Ave. W.
 Lynnwood, WA 98037

DRAWN:	DATED:	TITLE: 425 LED DAUGHTERBOARD	REV: A0
RELEASED:	DATED:	DRAWING NO: 023425	SHEET: 3 OF 4

6

5

4

3

2

1

D

D

C

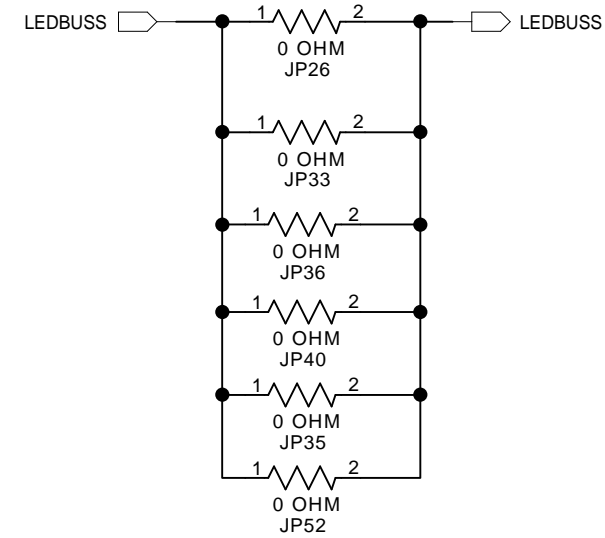
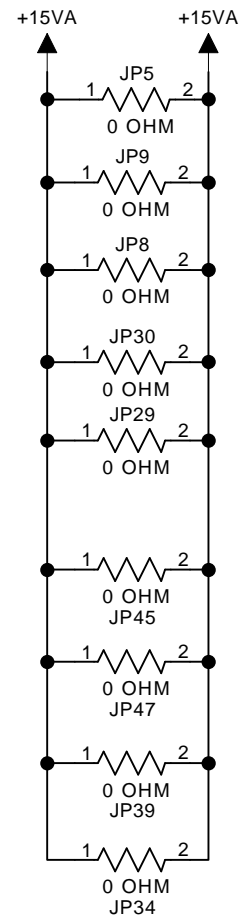
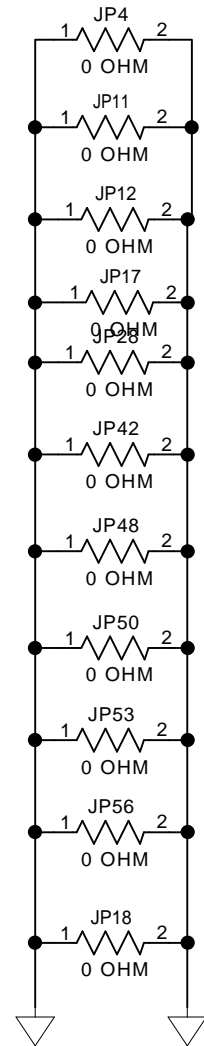
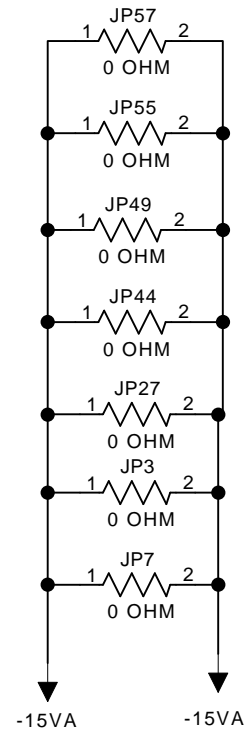
C

B

B

A

A



COMPANY:		SYMETRIX INC. 14926 35th Ave. W. Lynnwood, WA 98037	
TITLE:		425 LED DAUGHTERBOARD	REV: A0
DRAWING NO:		023425	SHEET: 4 OF 4

DRAWN:	DATED:
RELEASED:	DATED: