

6

5

4

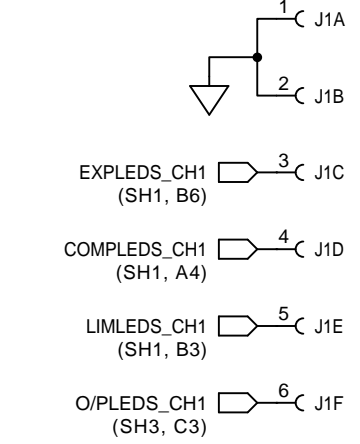
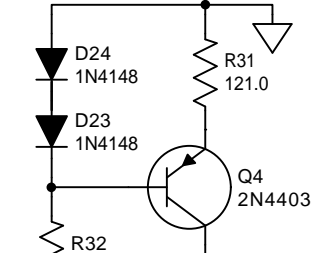
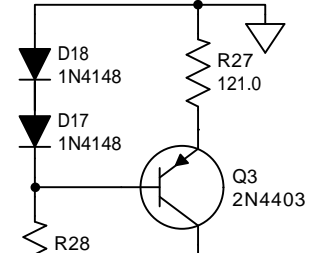
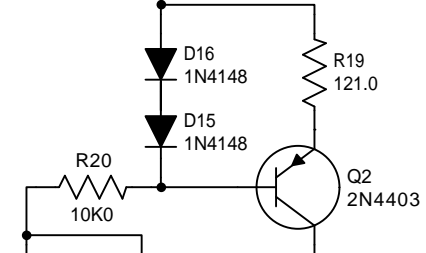
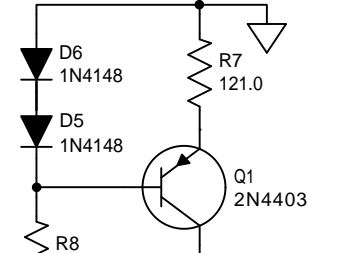
3

2

1

REVISION RECORD

LTR	REVISIONS DONE OR ECO NUMBER:	DATE:
C	C4 & C5 ADDED AS PER ECO 169	2/13/92
D	CHANGES AS PER ECO 425-001	7/9/92
E	ECO 425-8 SWAPPING LED REF DES. D40-D43 & D60-D63	B.G. 8/24/93
A0	CORRECTED P/N AND DWG ERRORS. CHG'D REV TO CONFORM TO NEW CONVENTION.	3/20/95
B	Deleted all zerohm jumpers.	6/21/95
B.1	Changed 120 OHM 5% to 121 OHM 1% & 10K OHM 5% to 10K0 OHM 1% values.	03/27/96



CH1 EXPANDER LEDES

CH1 COMPRESSOR LEDES

CH1 LIMITER LEDES

CH1 OUTPUT LEDES

FROM MOTHERBOARD

COMPANY: **SYMETRIX INC.**
 14926 35th Avenue West
 Lynnwood, WA 98037-2303 USA

TITLE: **425 LED DAUGHTERBOARD**

DRAWING NO: **023425**

REV: **B.1**

SHEET: **1 OF 3**

DRAWN:	DATED:
RELEASED:	DATED:

6

5

4

3

2

1

D

D

C

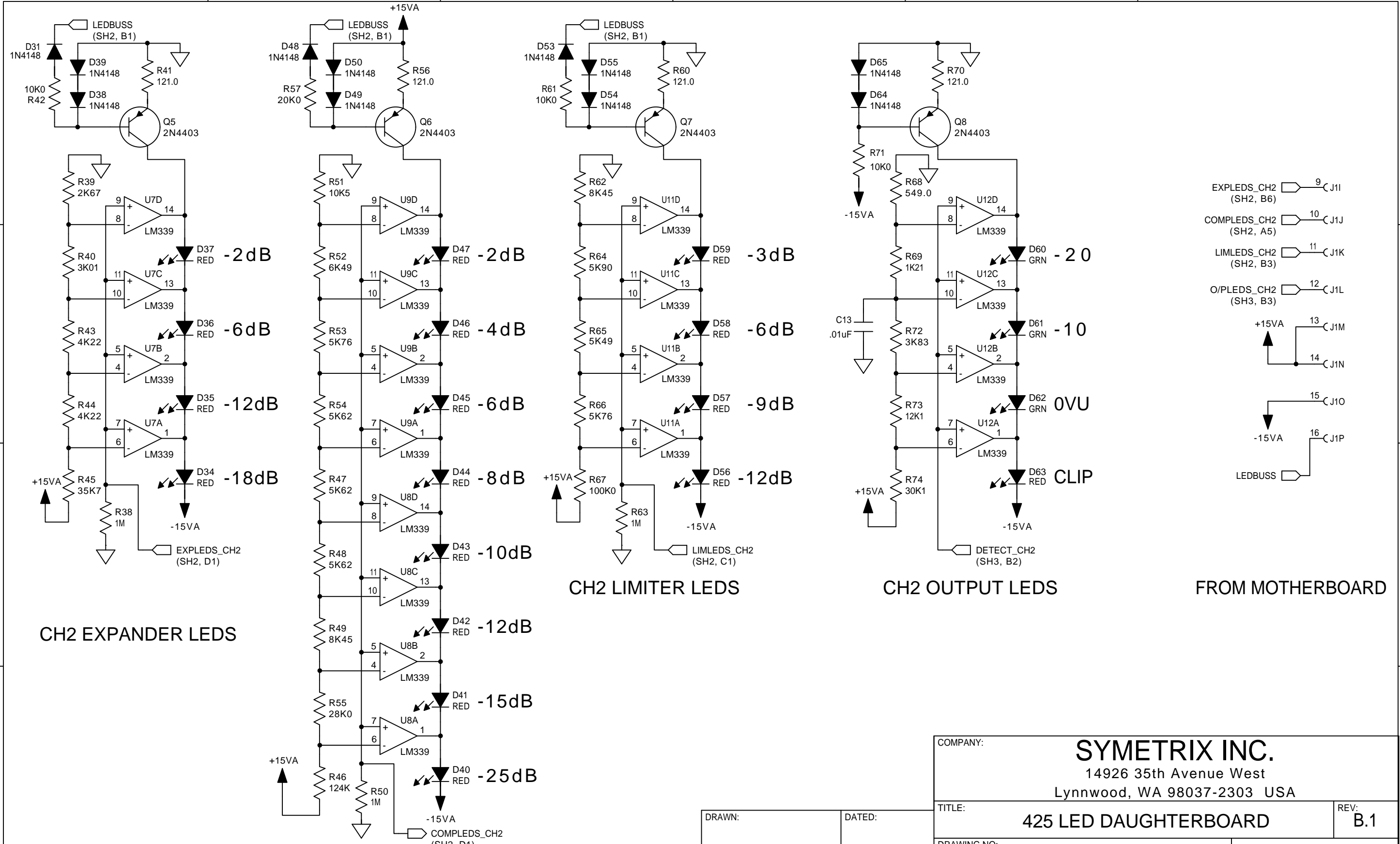
C

B

B

A

A



COMPANY:		SYMETRIX INC.	
		14926 35th Avenue West Lynnwood, WA 98037-2303 USA	
TITLE:		425 LED DAUGHTERBOARD	REV: B.1
DRAWING NO:		023425	SHEET: 2 OF 3
DRAWN:	DATED:		
RELEASED:	DATED:		

6

5

4

3

2

1

D

C

B

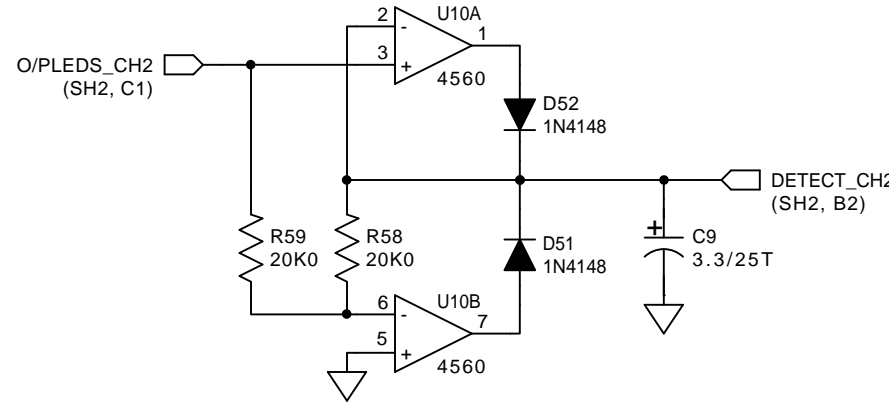
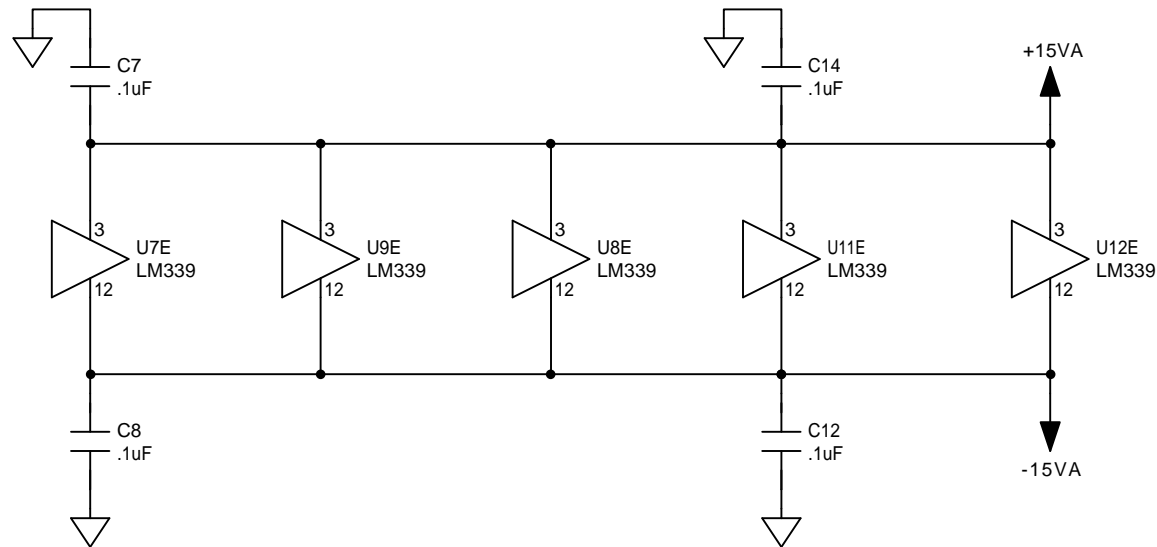
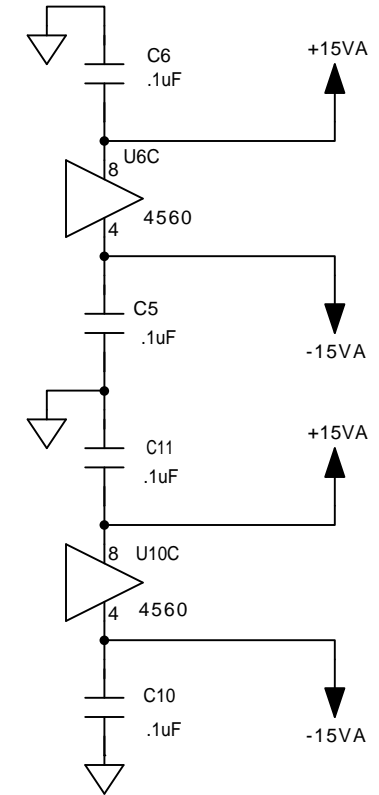
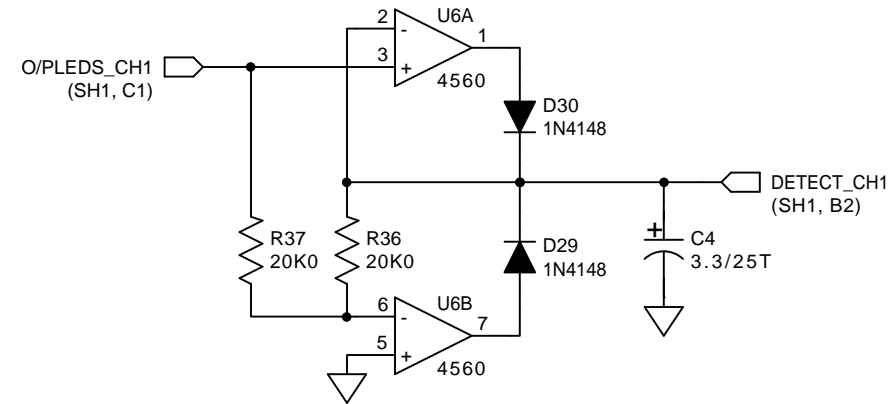
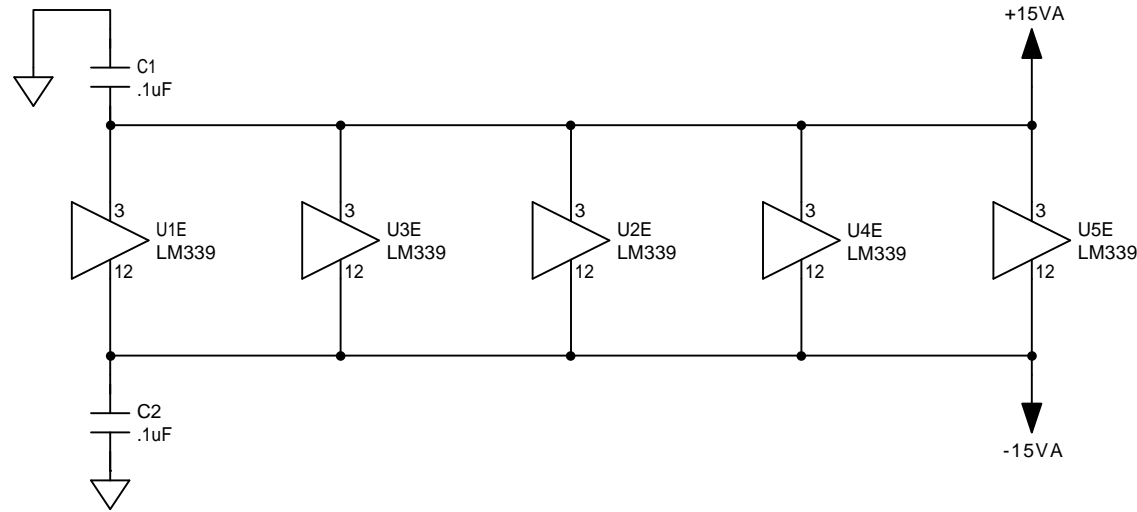
A

D

C

B

A



COMPANY:		SYMETRIX INC.	
		14926 35th Avenue West Lynnwood, WA 98037-2303 USA	
TITLE:		425 LED DAUGHTERBOARD	REV: B.1
DRAWING NO:		023425	SHEET: 3 OF 3

DRAWN:	DATED:
RELEASED:	DATED: