

6

5

4

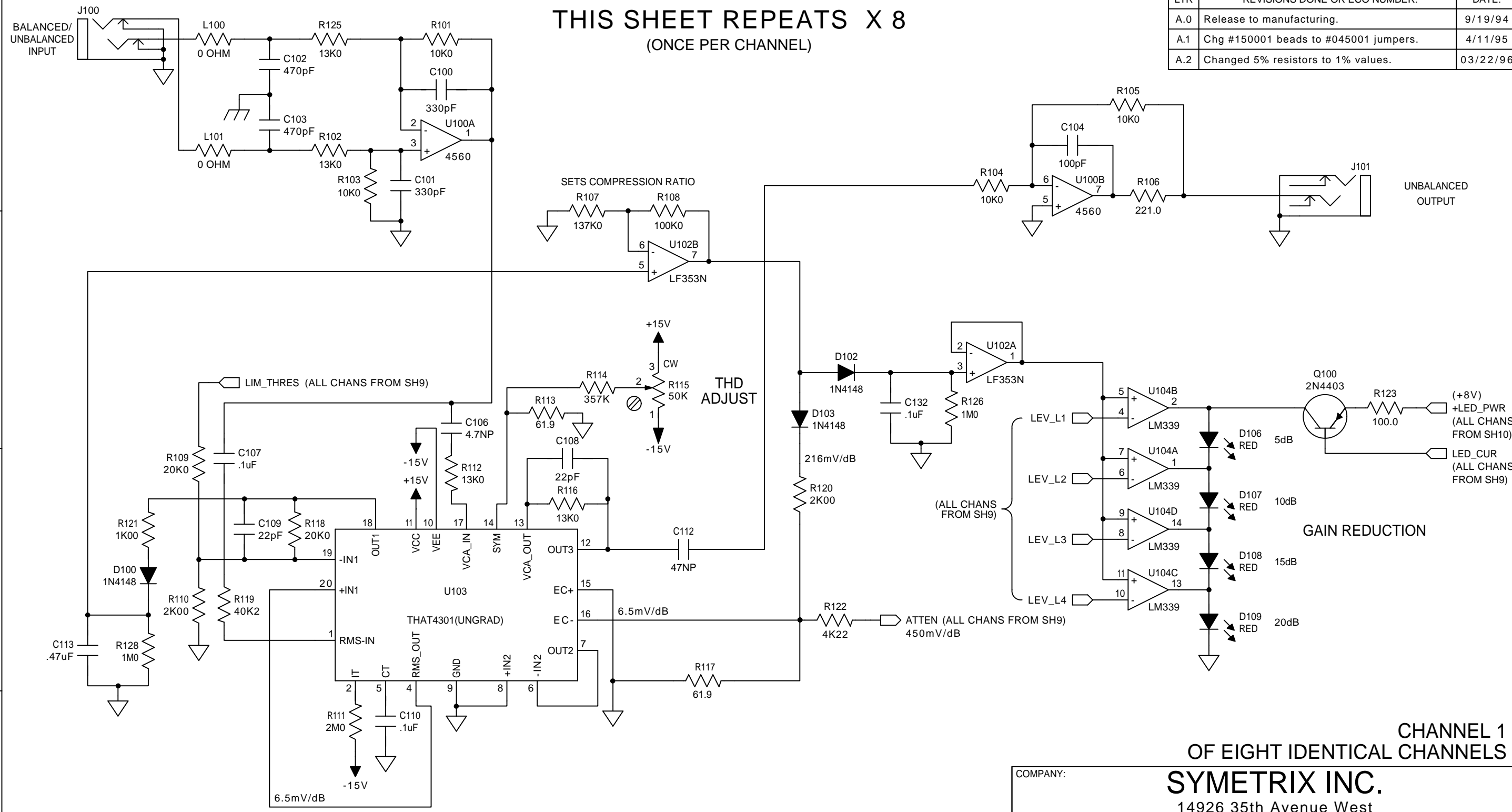
3

2

1

REVISION RECORD		
LTR	REVISIONS DONE OR ECO NUMBER:	DATE:
A.0	Release to manufacturing.	9/19/94
A.1	Chg #150001 beads to #045001 jumpers.	4/11/95
A.2	Changed 5% resistors to 1% values.	03/22/96

THIS SHEET REPEATS X 8
(ONCE PER CHANNEL)



CHANNEL 1
OF EIGHT IDENTICAL CHANNELS

COMPANY:
SYMETRIX INC.
14926 35th Avenue West
Lynnwood, WA 98037-2303 USA

TITLE: **488 MULTI CHANNEL COMPRESSOR** REV: **A.2**

DRAWING NO: **022009** SHEET: **1 OF 11**

DRAWN: **R B** DATED:
RELEASED: DATED:

D

D

C

C

B

B

A

A

6

5

4

3

2

1

D

D

C

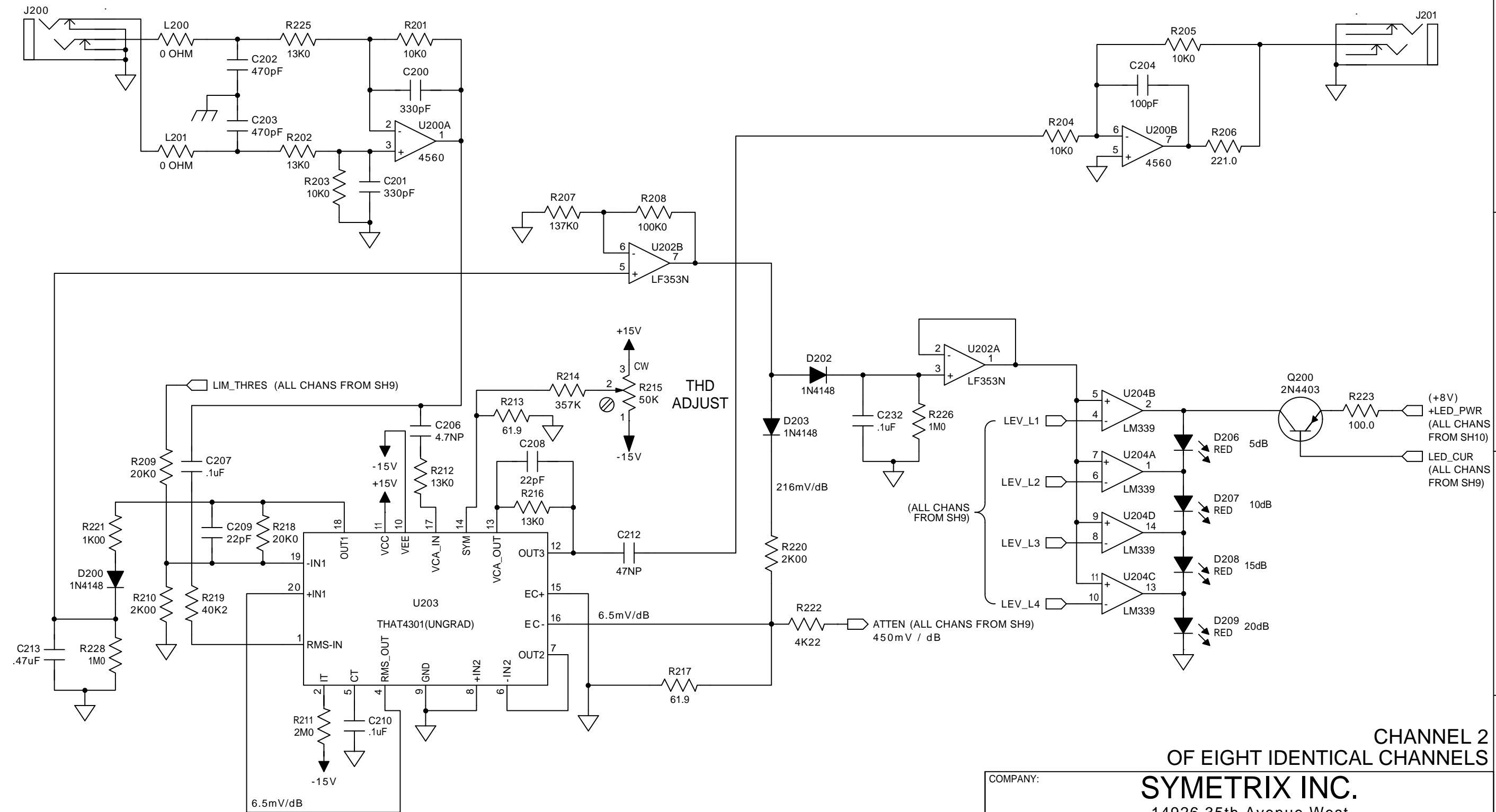
C

B

B

A

A

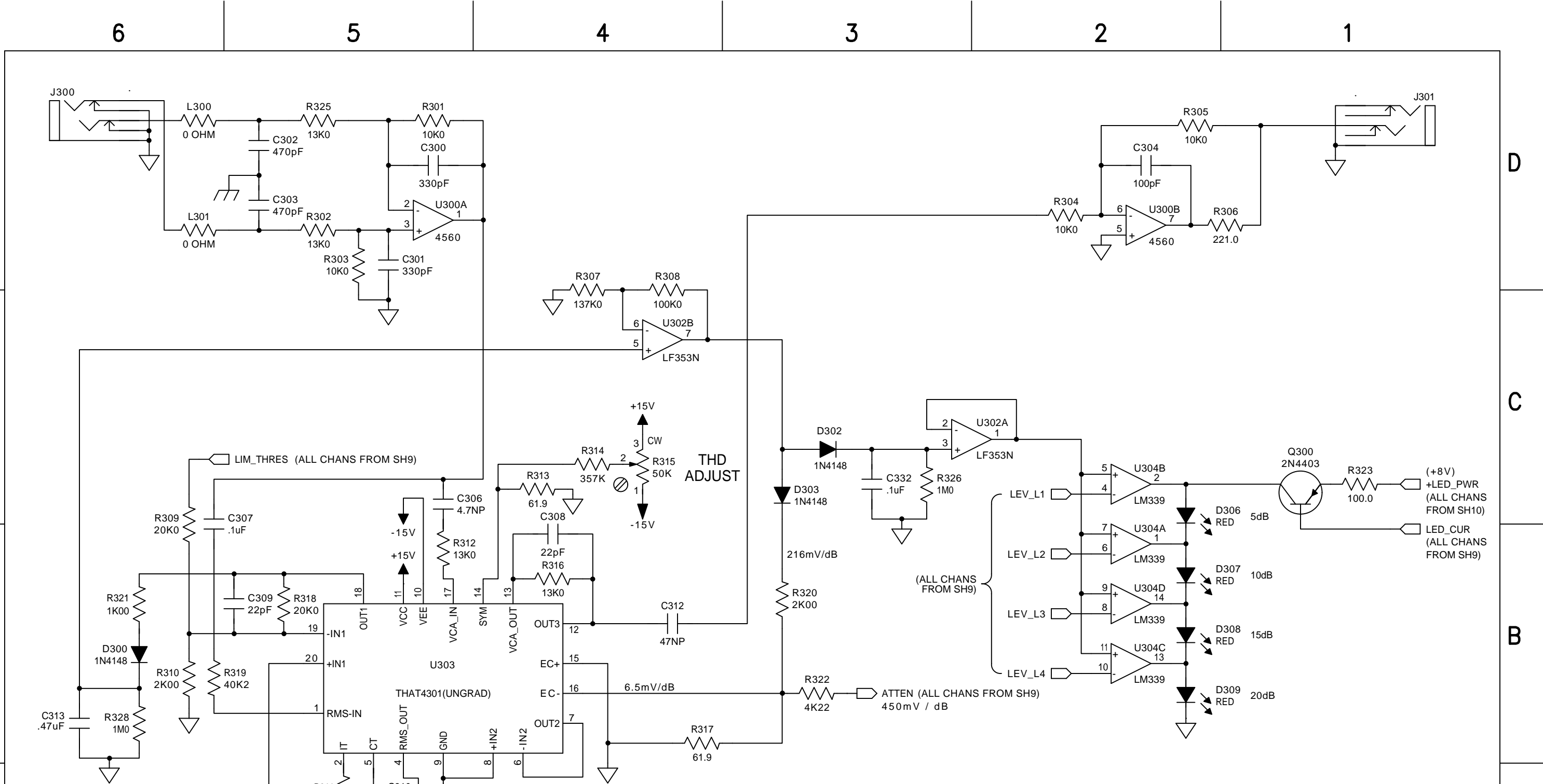


CHANNEL 2
OF EIGHT IDENTICAL CHANNELS

COMPANY:
SYMETRIX INC.
14926 35th Avenue West
Lynnwood, WA 98037-2303 USA

DRAWN: R B	DATED:
RELEASED:	DATED:

TITLE: 488 MULTI CHANNEL COMPRESSOR	REV: A.2
DRAWING NO: 022009	SHEET: 2 OF 11



CHANNEL 3
OF EIGHT IDENTICAL CHANNELS

COMPANY: **SYMETRIX INC.**
14926 35th Ave W
LYNNWOOD WA, 98037

DRAWN: R_B	DATED:	TITLE: 488 MULTI CHANNEL COMPRESSOR	REV: A.2
RELEASED:	DATED:	DRAWING NO: 022009	SHEET: 3 OF 11

6

5

4

3

2

1

D

D

C

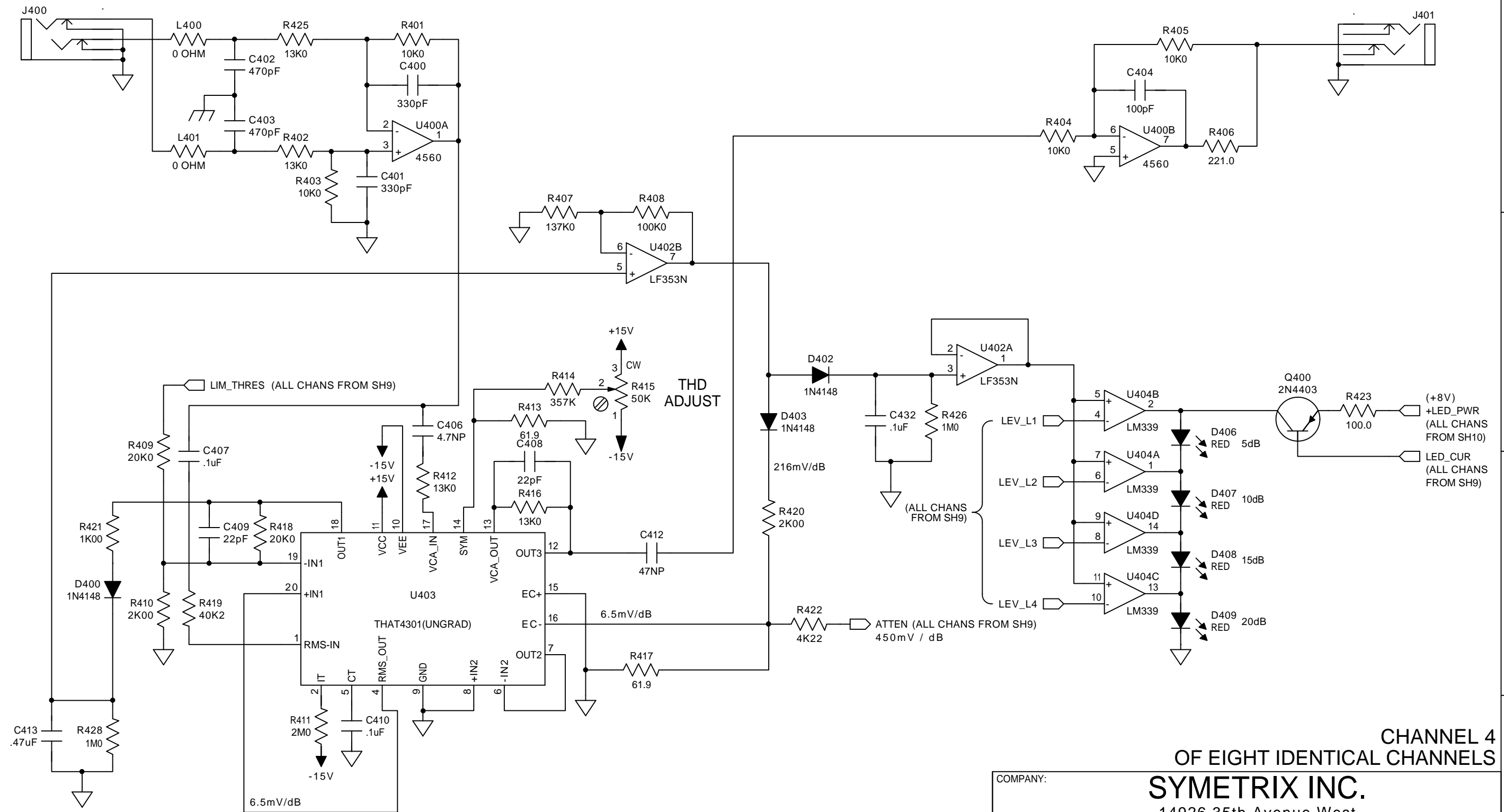
C

B

B

A

A



CHANNEL 4
OF EIGHT IDENTICAL CHANNELS

COMPANY:
SYMETRIX INC.
14926 35th Avenue West
Lynnwood, WA 98037-2303 USA

DRAWN: R B	DATED:
RELEASED:	DATED:

TITLE: 488 MULTI CHANNEL COMPRESSOR	REV: A.2
DRAWING NO: 022009	SHEET: 4 OF 11

6

5

4

3

2

1

D

D

C

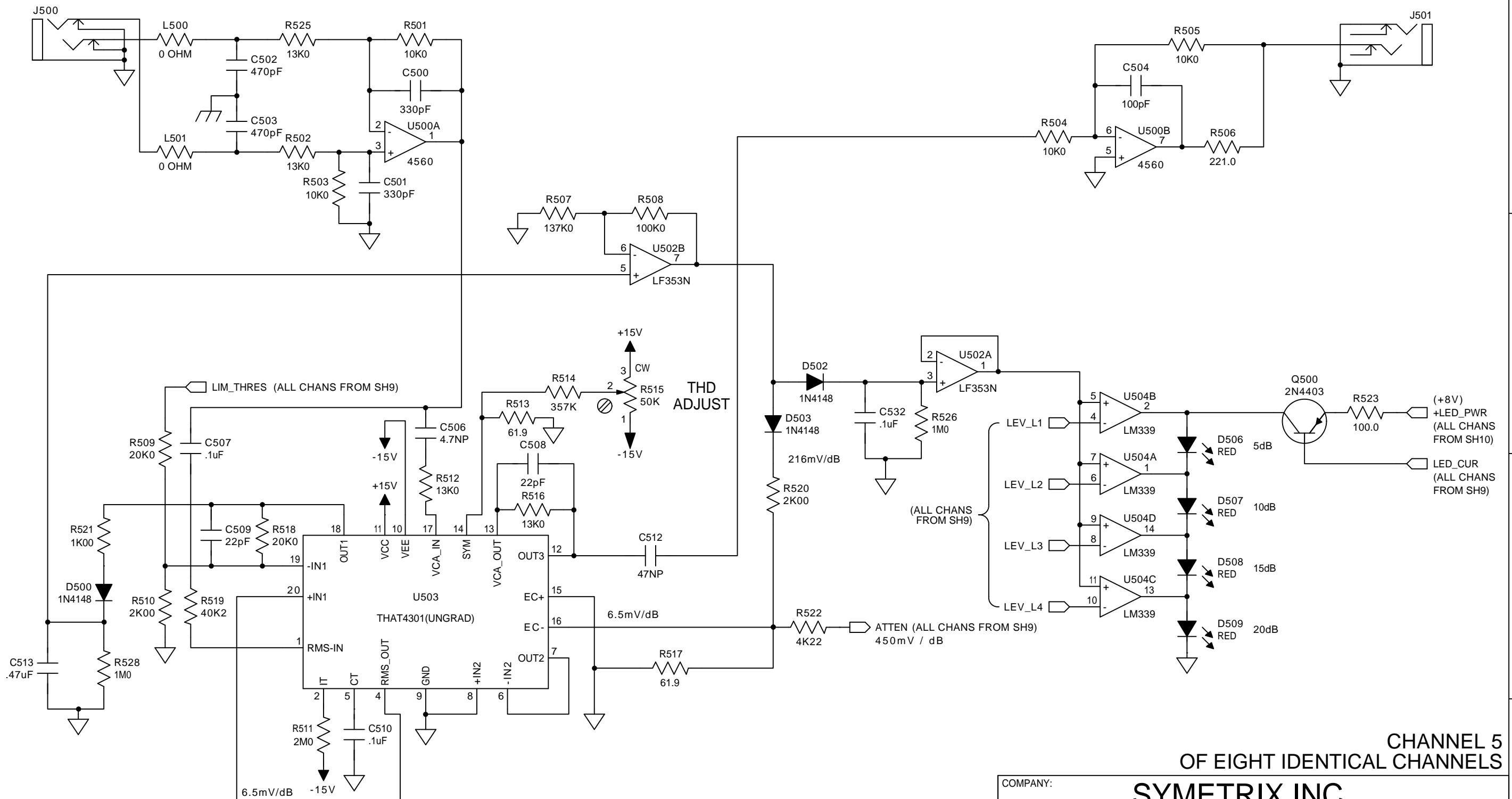
C

B

B

A

A



CHANNEL 5
OF EIGHT IDENTICAL CHANNELS

COMPANY: **SYMETRIX INC.**
14926 35th Ave W
LYNNWOOD WA, 98037

DRAWN: R_B	DATED:	TITLE: 488 MULTI CHANNEL COMPRESSOR	REV: A.2
RELEASED:	DATED:	DRAWING NO: 022009	SHEET: 5 OF 11

6

5

4

3

2

1

D

D

C

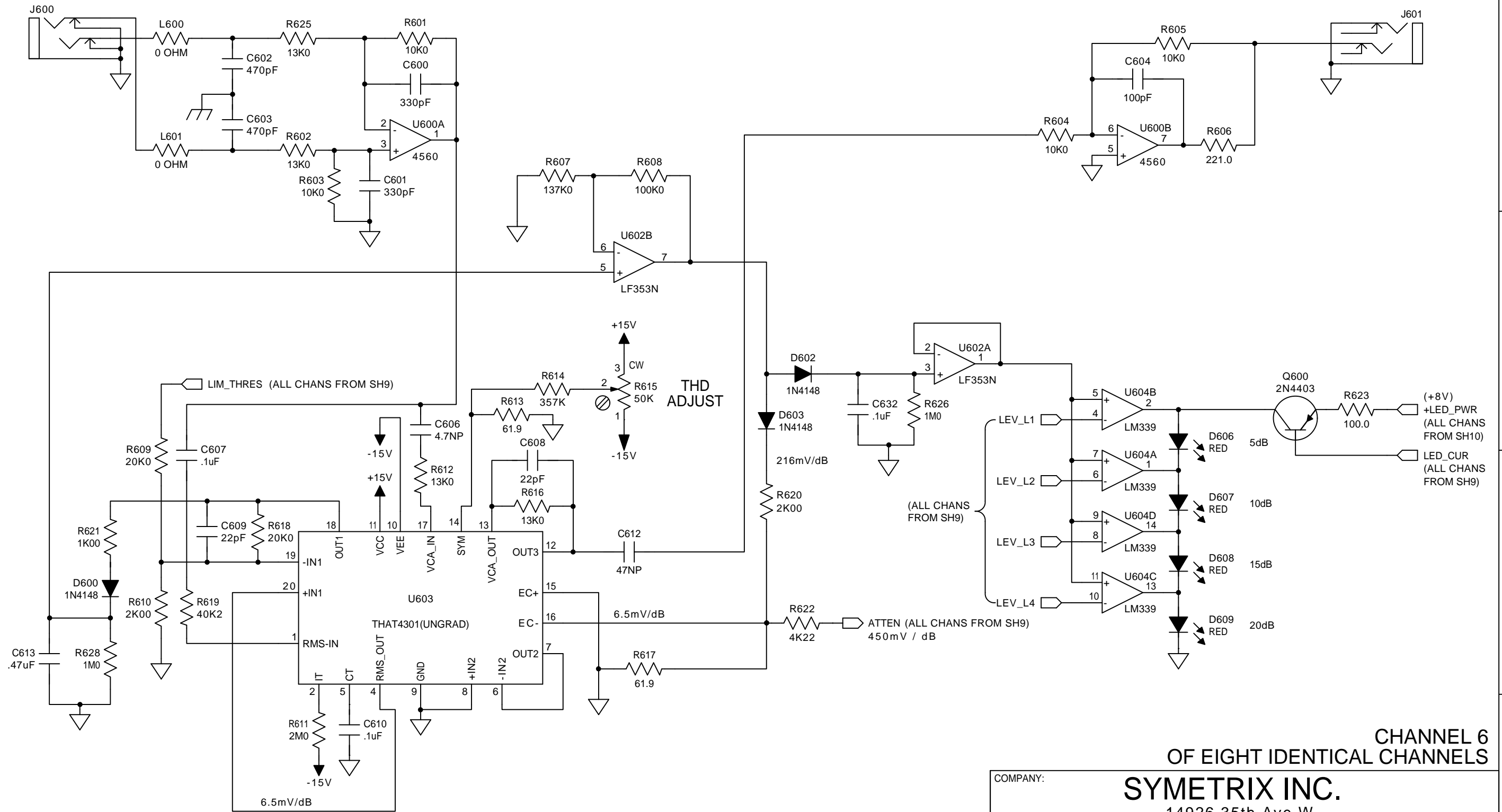
C

B

B

A

A



CHANNEL 6
OF EIGHT IDENTICAL CHANNELS

COMPANY:		SYMETRIX INC.	
		14926 35th Ave W LYNNWOOD WA, 98037	
TITLE:		488 MULTI CHANNEL COMPRESSOR	REV: A.2
DRAWING NO:		022009	SHEET: 6 OF 11

DRAWN:	R_B	DATED:	
RELEASED:		DATED:	

6

5

4

3

2

1

D

D

C

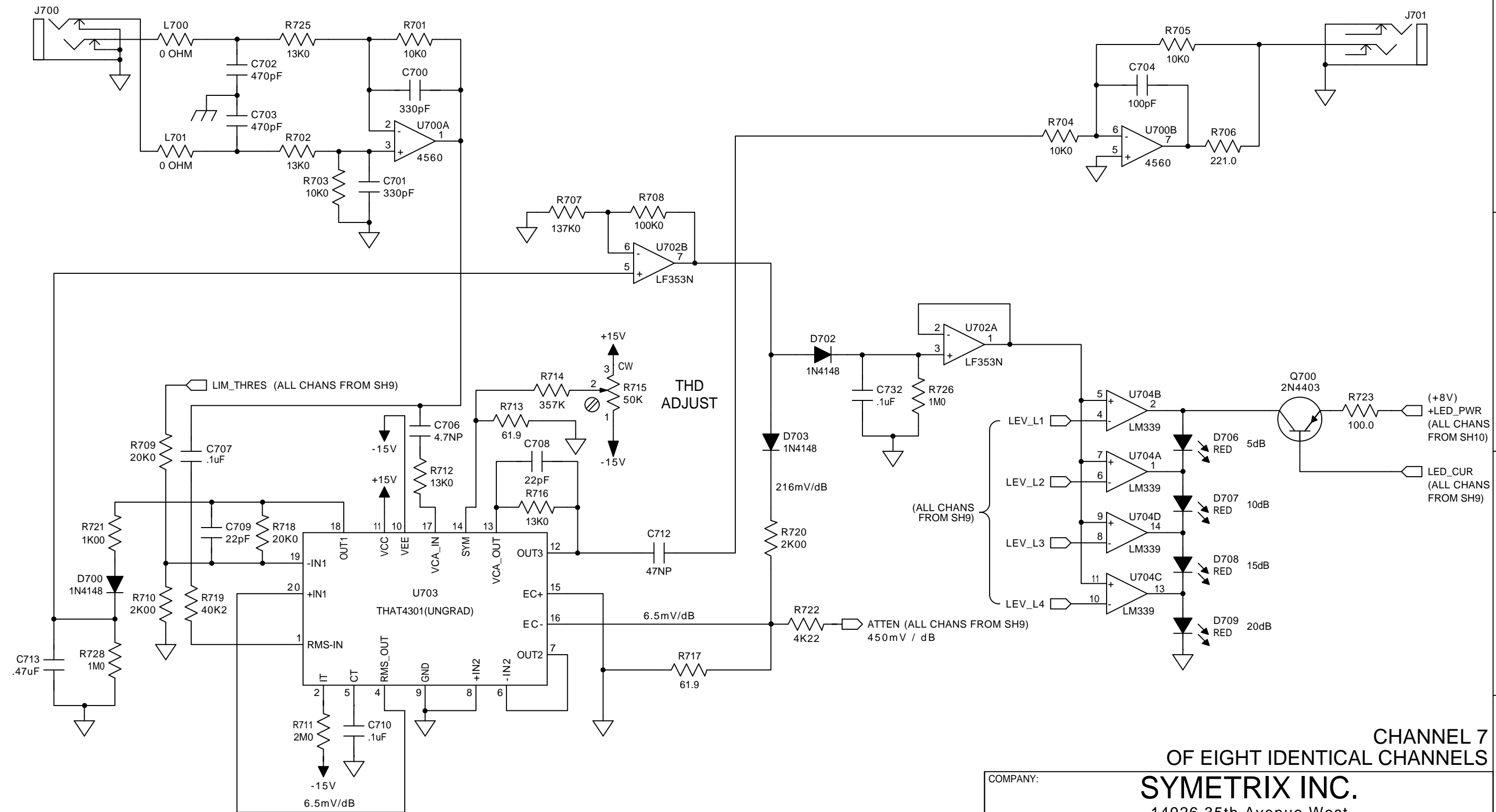
C

B

B

A

A



CHANNEL 7
OF EIGHT IDENTICAL CHANNELS

COMPANY:
SYMETRIX INC.
14926 35th Avenue West
Lynnwood, WA 98037-2303

DRAWN: R B	DATED:
RELEASED:	DATED:

TITLE: 488 MULTI CHANNEL COMPRESSOR	REV: A.2
DRAWING NO: 022009	SHEET: 7 OF 11

6

5

4

3

2

1

D

D

C

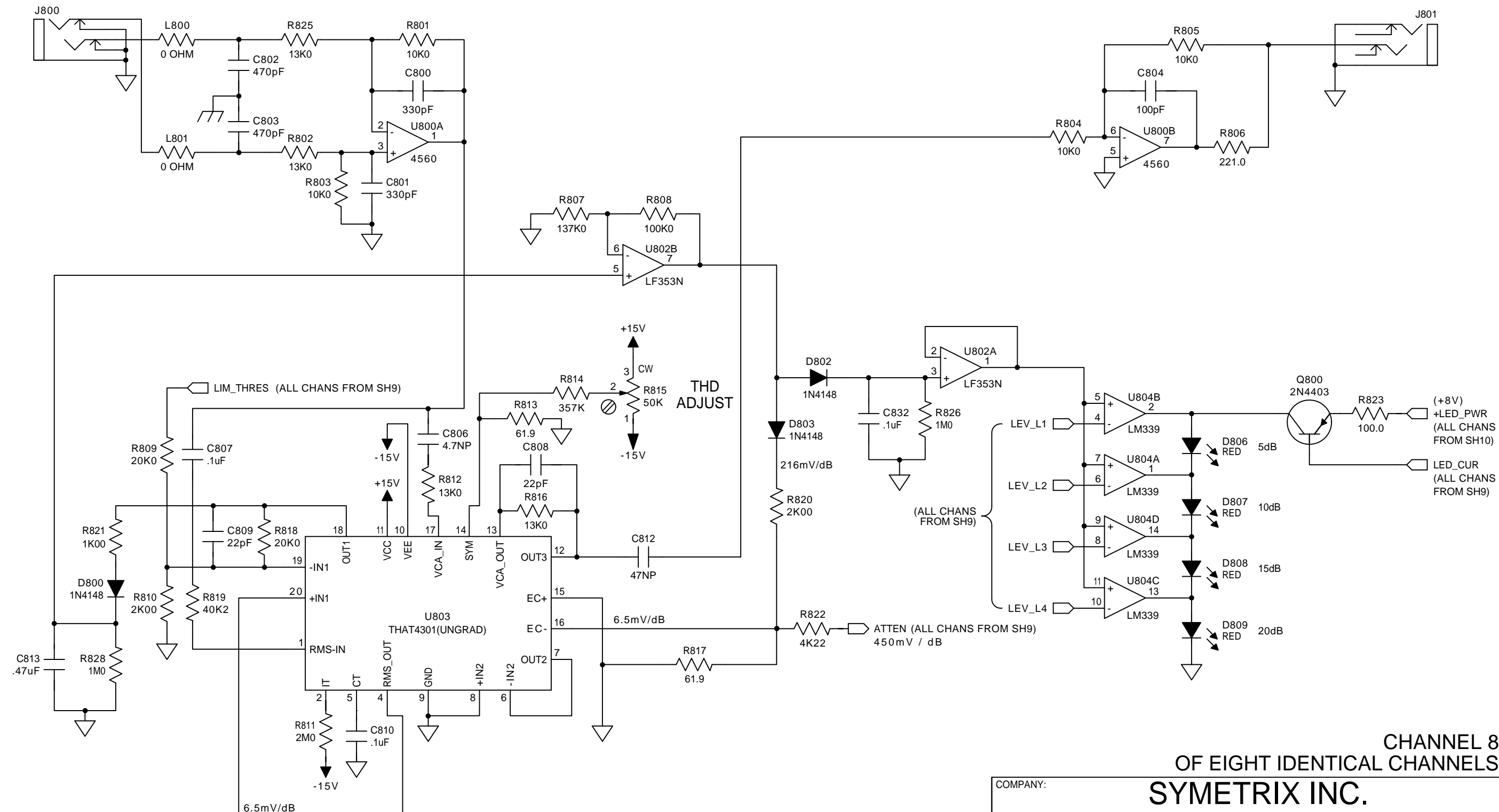
C

B

B

A

A



CHANNEL 8
OF EIGHT IDENTICAL CHANNELS

COMPANY:
SYMETRIX INC.
14926 35th Avenue West
Lynnwood, WA 98037-2303 USA

DRAWN: R B	DATED:
RELEASED:	DATED:

TITLE: 488 MULTI CHANNEL COMPRESSOR	REV: A.2
DRAWING NO: 022009	SHEET: 8 OF 11

6

5

4

3

2

1

D

C

B

A

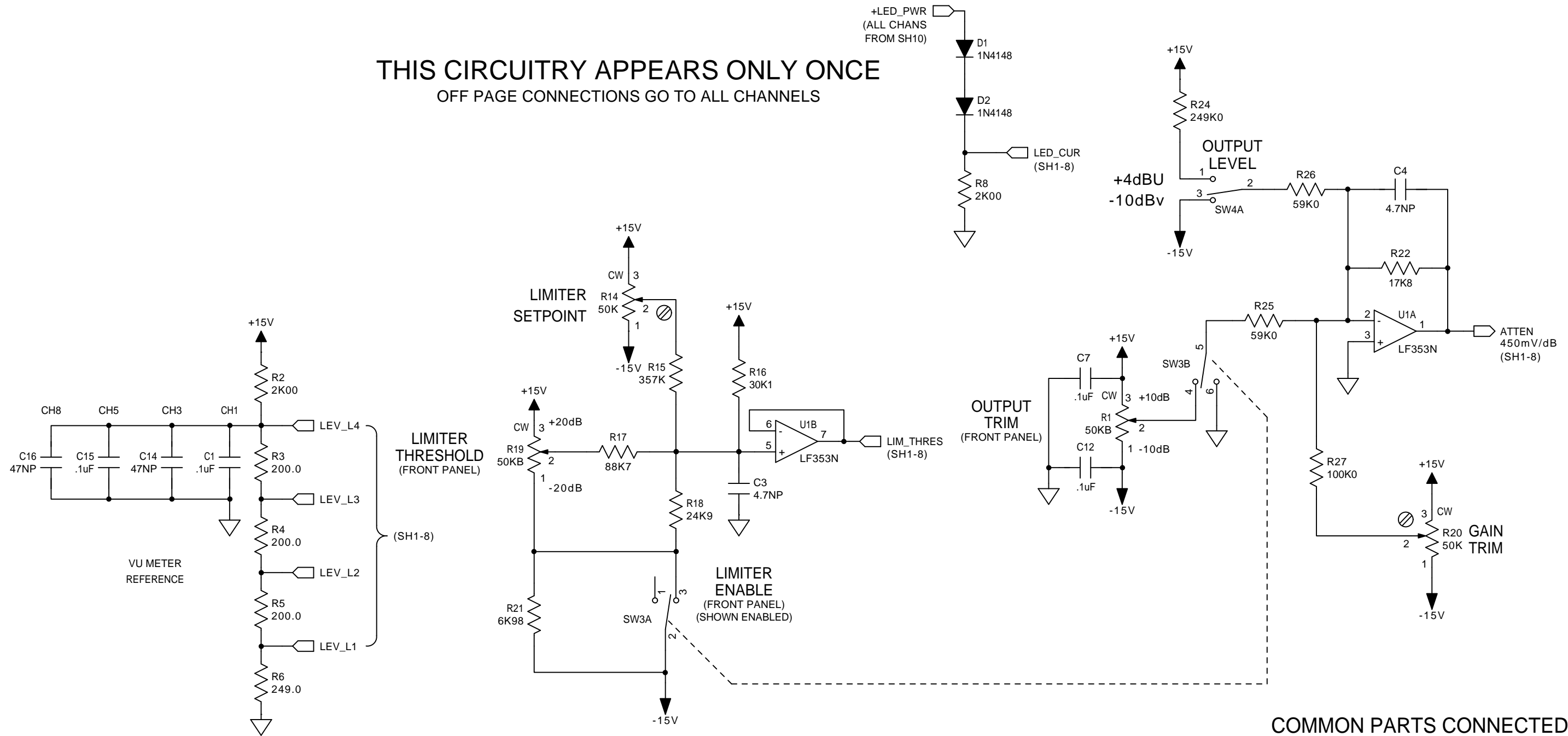
D

C

B

A

THIS CIRCUITRY APPEARS ONLY ONCE
OFF PAGE CONNECTIONS GO TO ALL CHANNELS



COMMON PARTS CONNECTED
TO EIGHT IDENTICAL CHANNELS

COMPANY: **SYMETRIX INC.**
 14926 35th Avenue West
 Lynnwood, WA 98037-2303 USA

DRAWN: R B	DATED:	TITLE: 488 MULTI CHANNEL COMPRESSOR	REV: A.2
RELEASED:	DATED:	DRAWING NO: 022009	SHEET: 9 OF 11

6

5

4

3

2

1

D

D

C

C

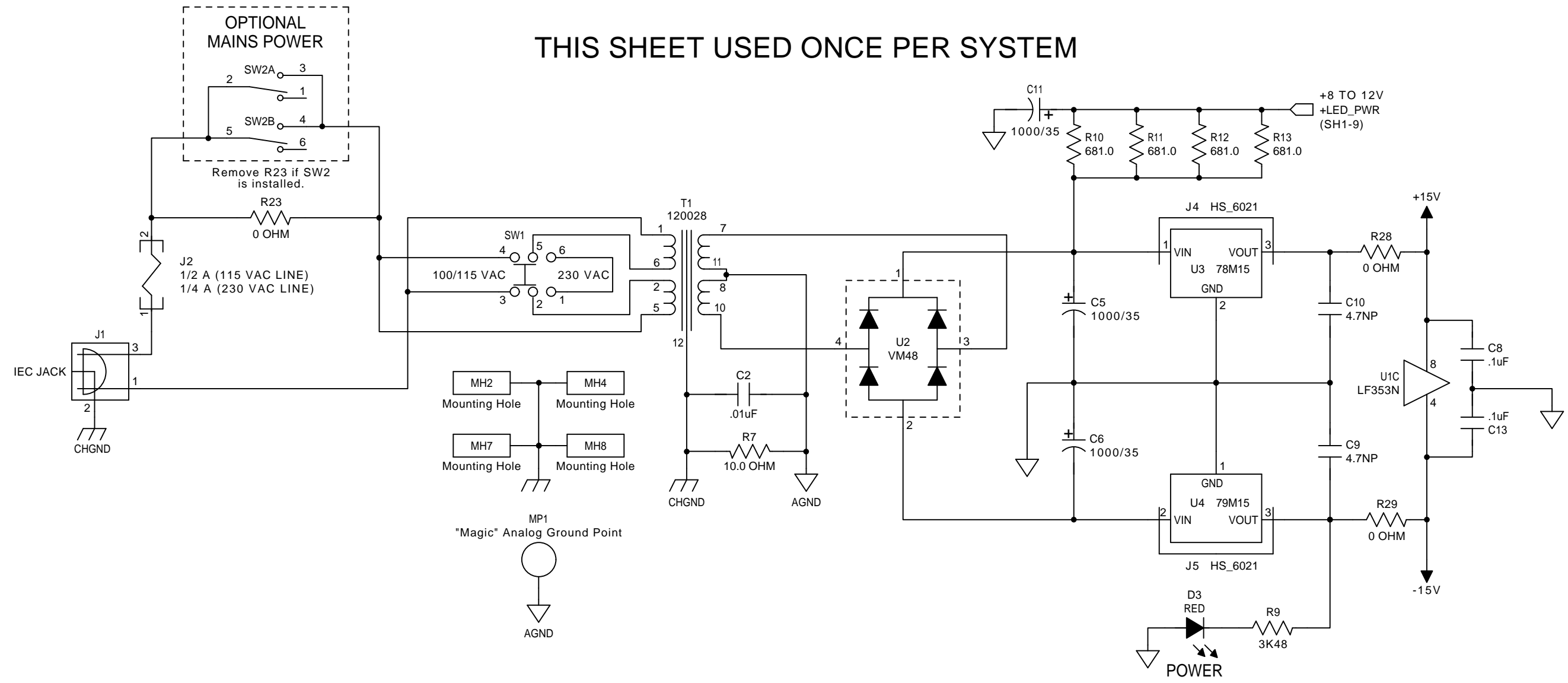
B

B

A

A

THIS SHEET USED ONCE PER SYSTEM



MAIN POWER SUPPLY (FOR ALL CHANNELS)

COMPANY: **SYMETRIX INC.**
 14926 35th Avenue West
 Lynnwood, WA 98037-2303 USA

DRAWN: R B	DATED:	TITLE: 488 MULTI CHANNEL COMPRESSOR	REV: A.2
RELEASED:	DATED:	DRAWING NO: 022009	SHEET: 10 OF 11

6

5

4

3

2

1

D

D

C

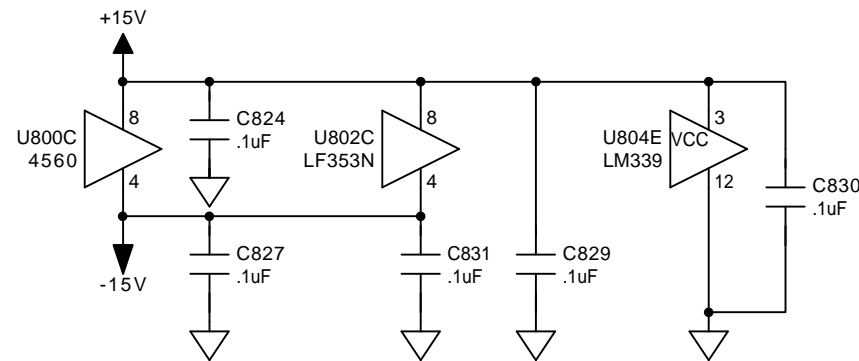
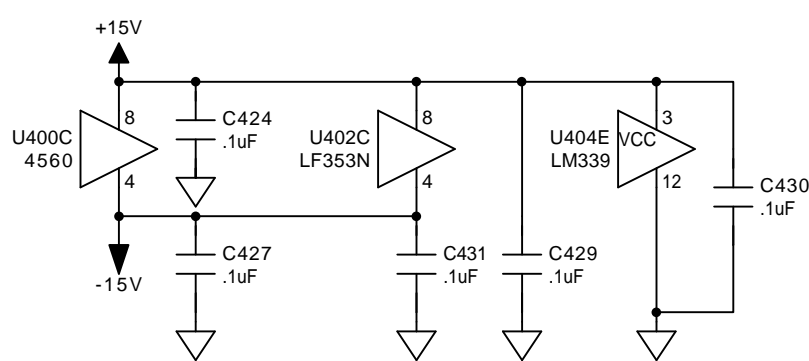
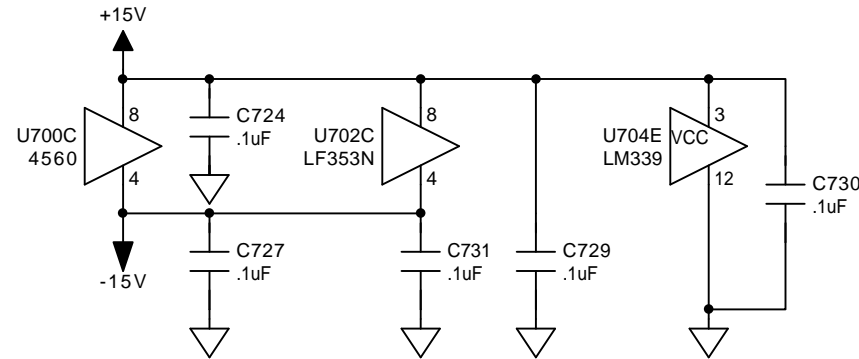
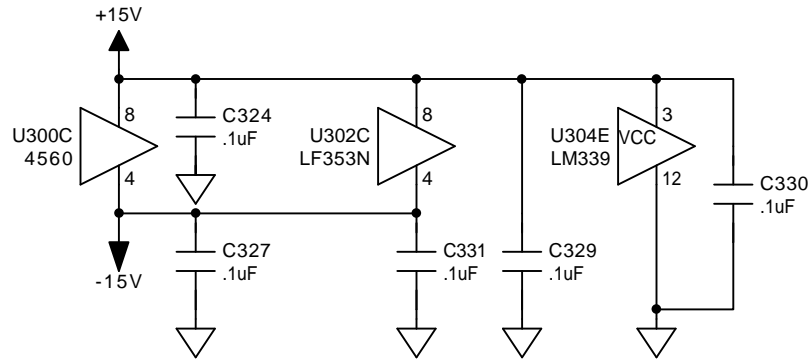
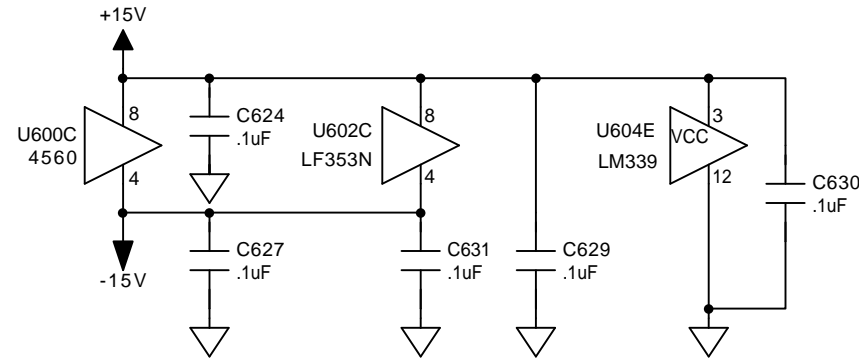
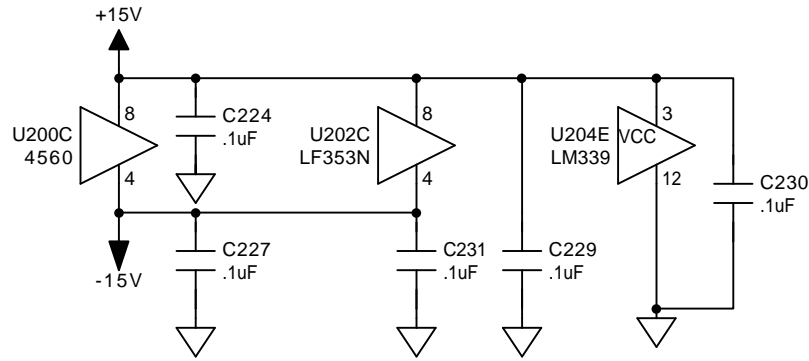
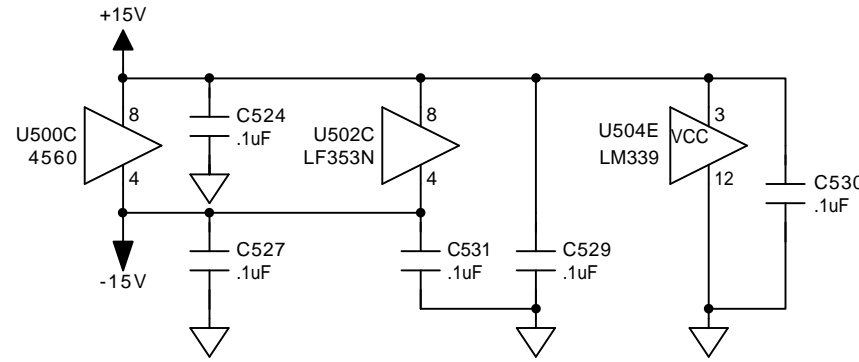
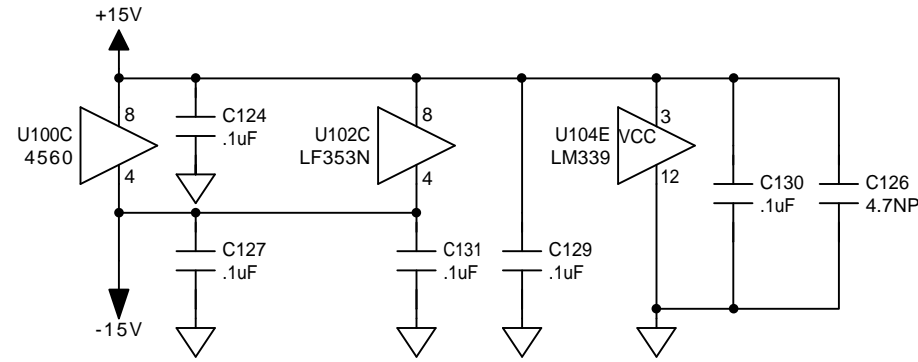
C

B

B

A

A



IC POWER DISTRIBUTION
FOR ALL EIGHT CHANNELS

COMPANY:		SYMETRIX INC.	
		14926 35th Avenue West Lynnwood, WA 98037-2303 USA	
TITLE:		488 MULTI CHANNEL COMPRESSOR	REV: A.2
DRAWING NO:		022009	SHEET: 11 OF 11

DRAWN:	R B	DATED:	
RELEASED:		DATED:	