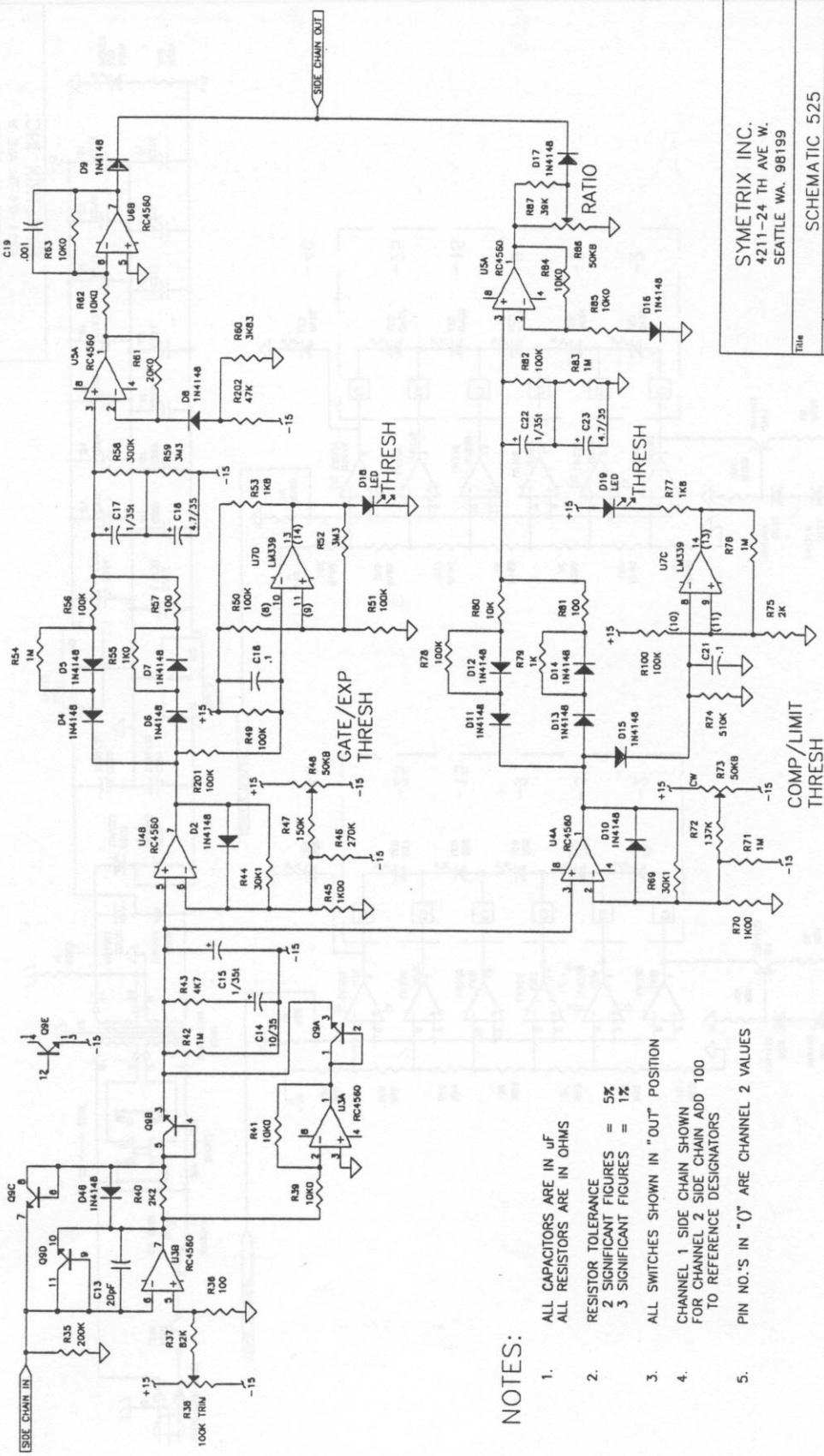


LVR	REVISION	DATE
A	INCORP ECD 81	
B	INCORP ECD 114	
C	INCORP ECD 114	
D	REDESIGN WITHOUT CHANGE	1-22-88



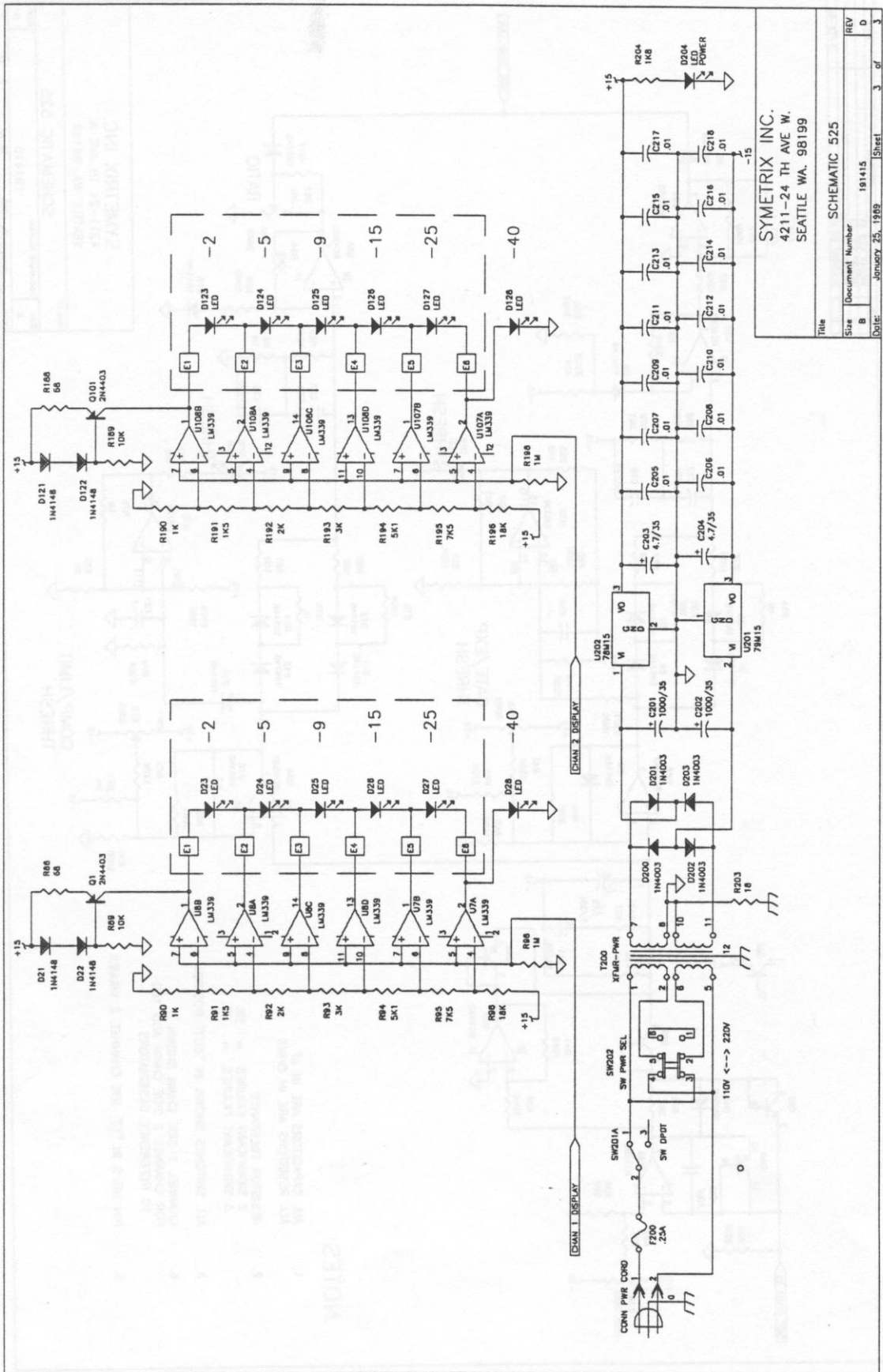
NOTES:

1. ALL CAPACITORS ARE IN uF
ALL RESISTORS ARE IN OHMS
2. RESISTOR TOLERANCE
2 SIGNIFICANT FIGURES = 5%
3 SIGNIFICANT FIGURES = 1%
3. ALL SWITCHES SHOWN IN "OUT" POSITION
4. CHANNEL 1 SIDE CHAIN SHOWN
FOR CHANNEL 2, SIDE CHAIN ADD 100
TO REFERENCE DESIGNATORS
5. PIN NO.'S IN "U" ARE CHANNEL 2 VALUES

SYMETRIX INC.
4211-24 TH AVE. W.
SEATTLE WA. 98199

Title _____
Size _____
Document Number 191415
Date: January 25, 1989 Sheet 2 of 3

SCHEMATIC 525



SYMETRIX INC.
4211-24 TH AVE W.
SEATTLE WA. 98199

Title	Document Number	REV
Size	1911415	D
B	SCHMATIC 525	D
Date:	January 25, 1969	3 of 3
Sheet		