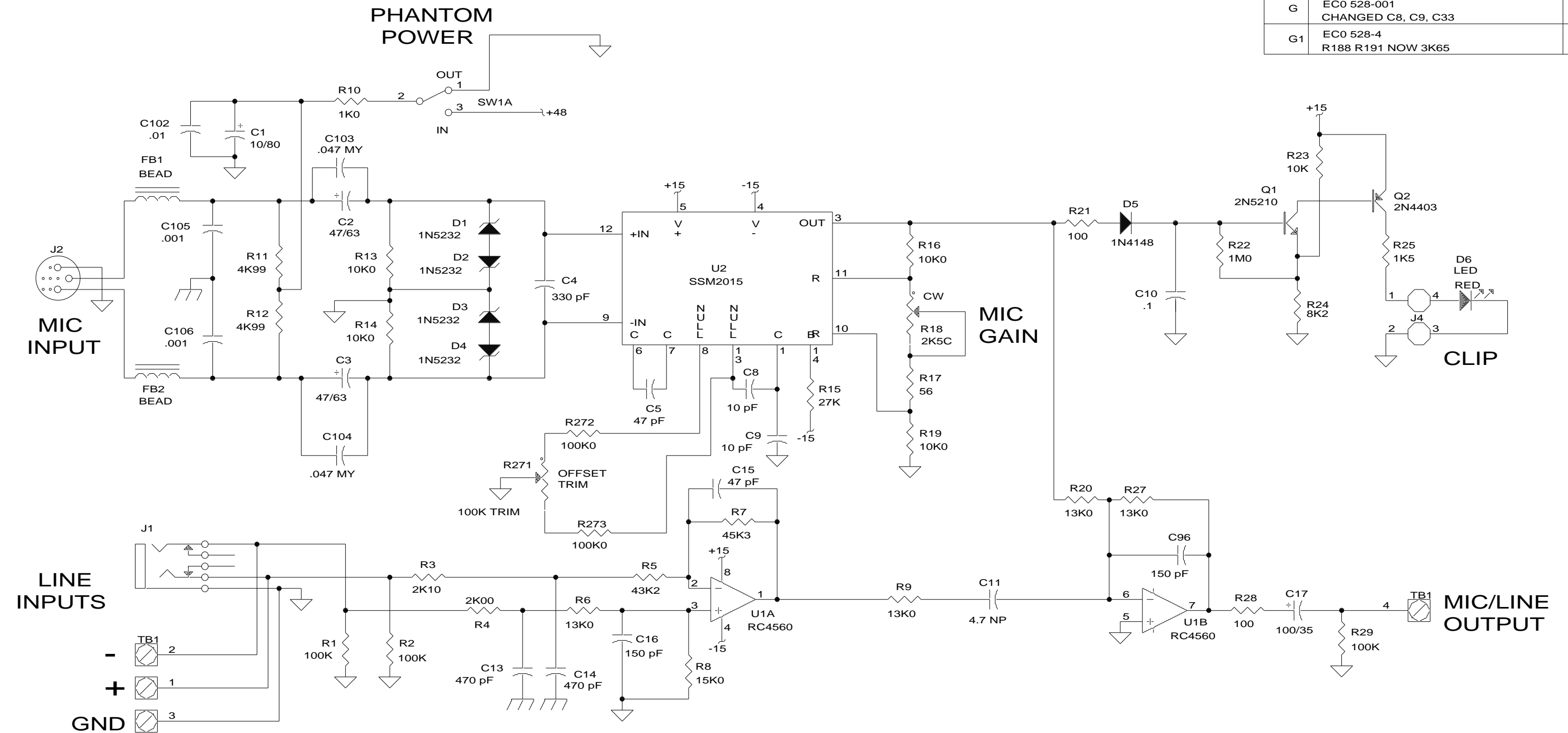
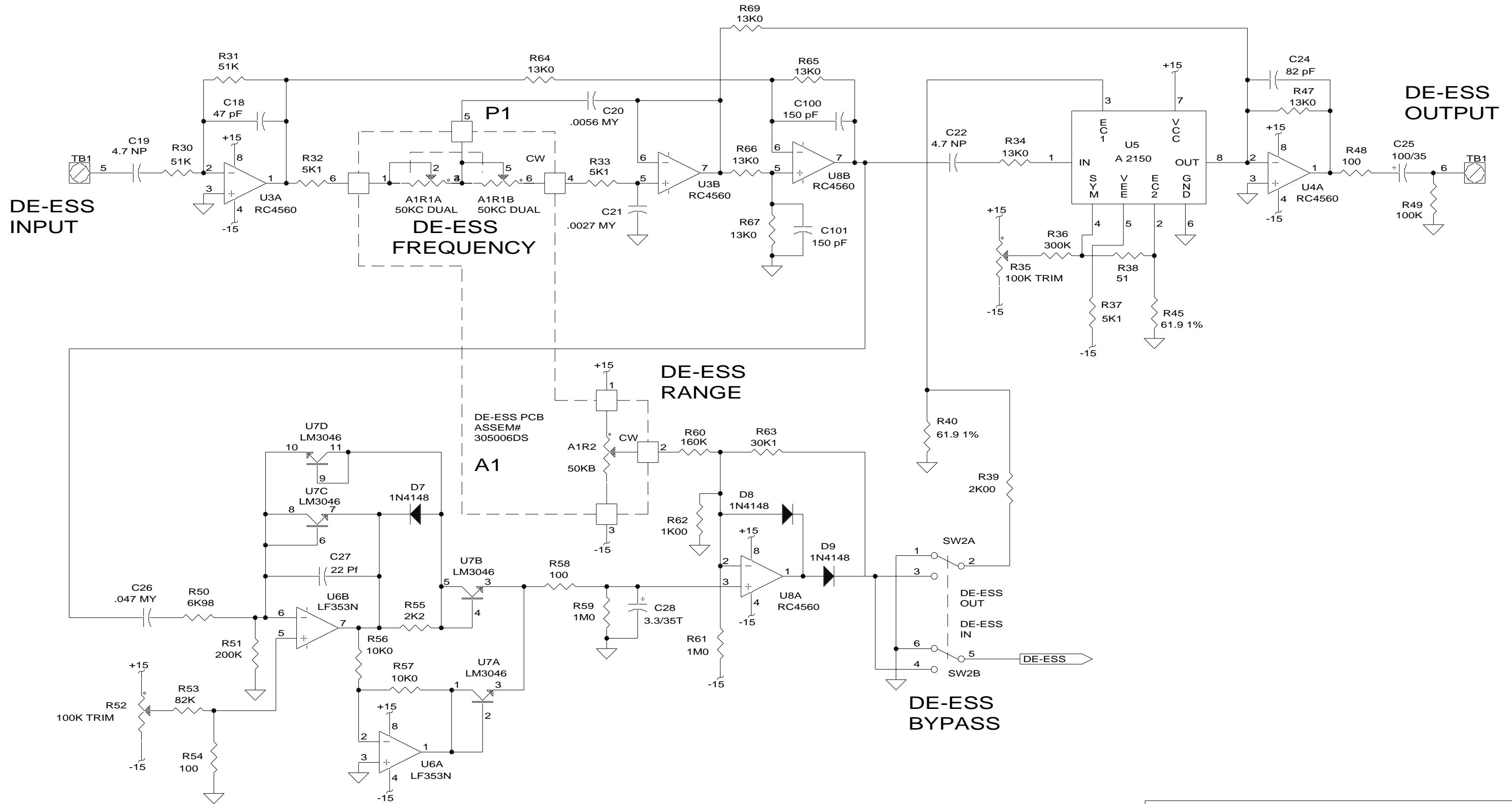


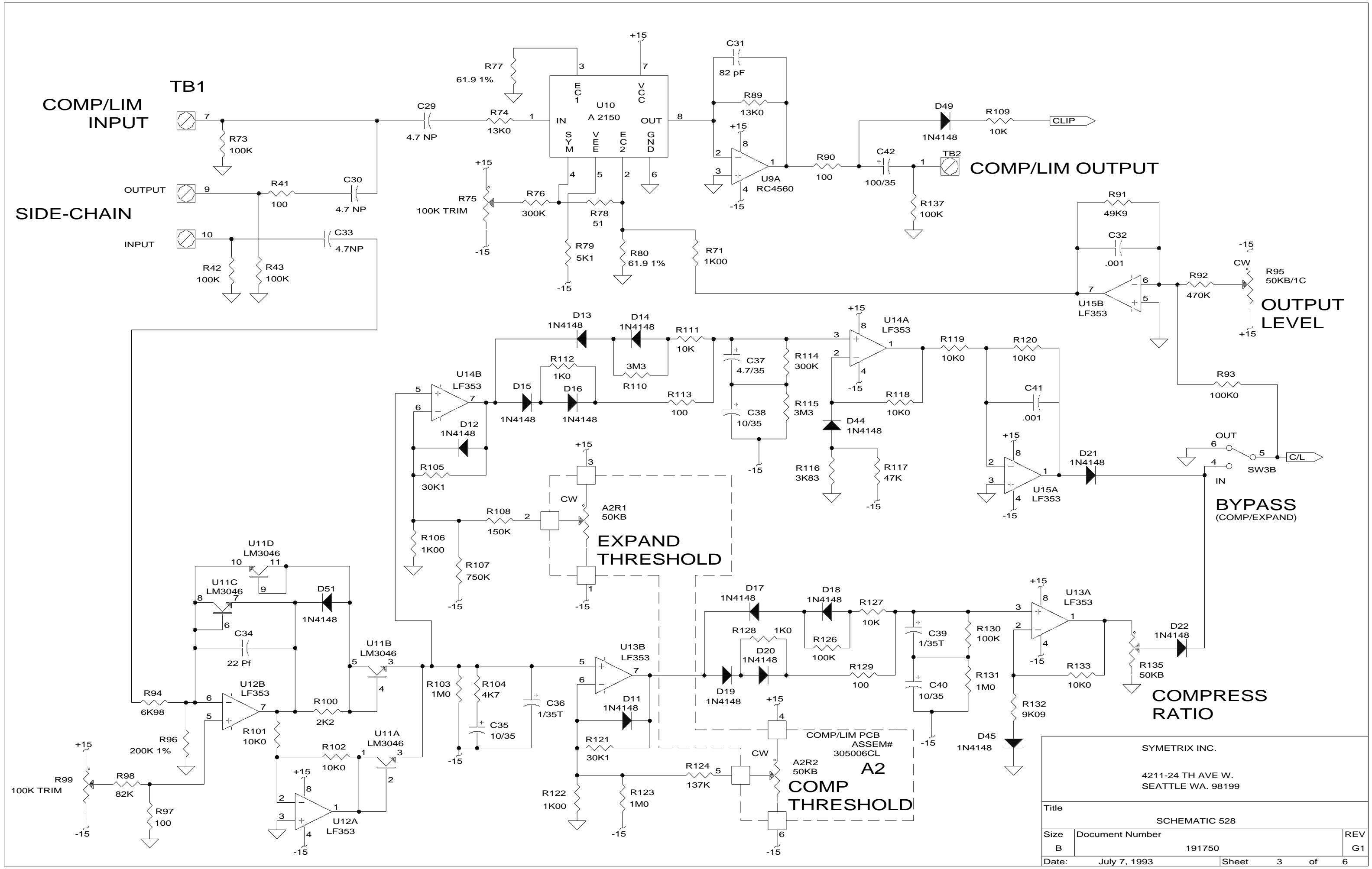
LTR	REVISION	DATE
F	REDRAWN WITH CHANGE INCRP ECO	12-12-89
G	EC0 528-001 CHANGED C8, C9, C33	3-3-93
G1	EC0 528-4 R188 R191 NOW 3K65	7-7-93



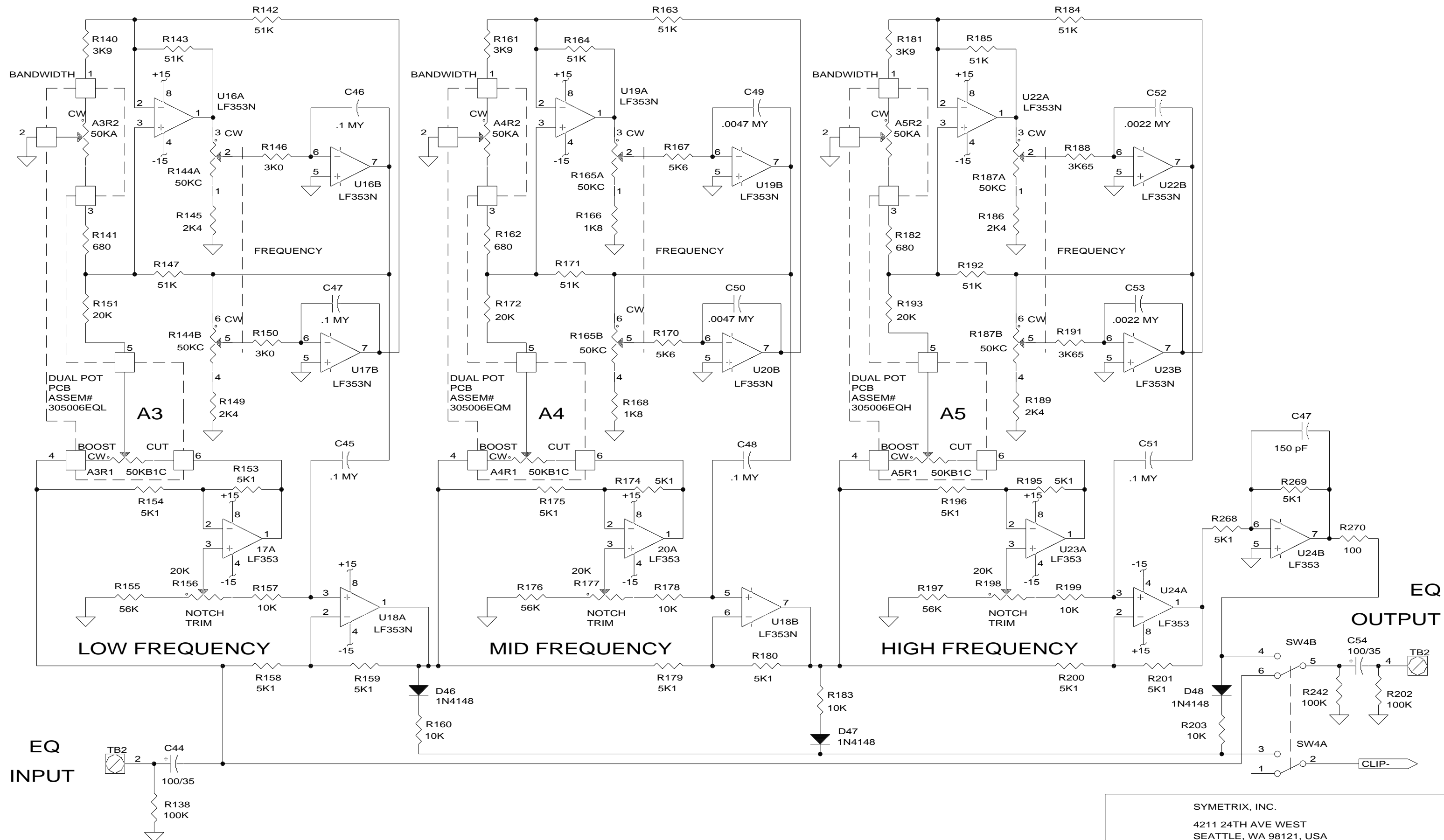
SYMETRIX INC. 4211-24 TH AVE W. SEATTLE WA. 98199		
Title		
SCHEMATIC 528		
Size	Document Number	REV
B	191750	G
Date:	July 7, 1993	Sheet 1 of 6



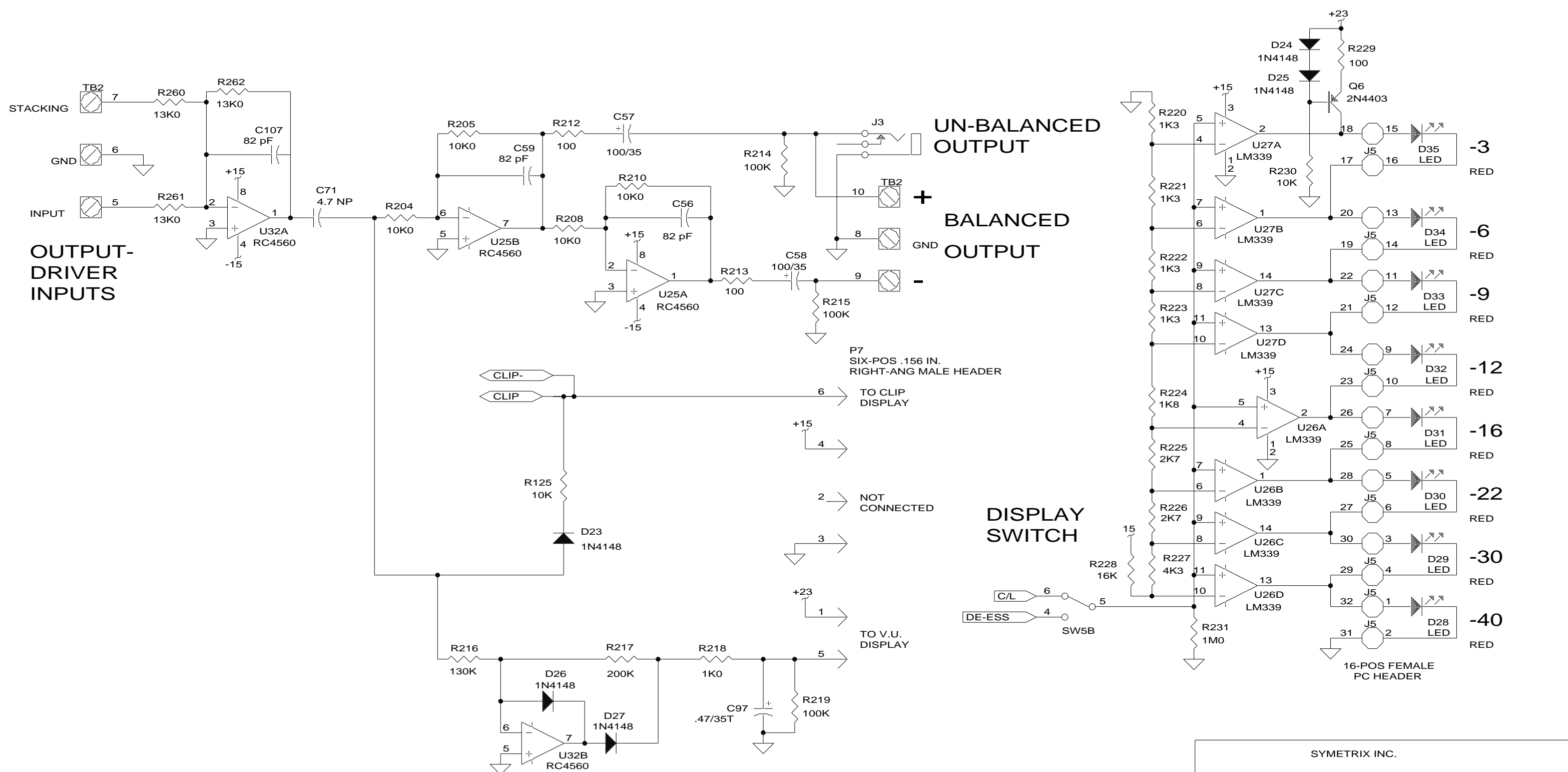
SYMETRIX INC.		
4211-24 TH AVE W. SEATTLE WA. 98199		
Title		
SCHEMATIC 528		
Size	Document Number	REV
B	191750	G1
Date:	July 7, 1993	Sheet 2 of 6



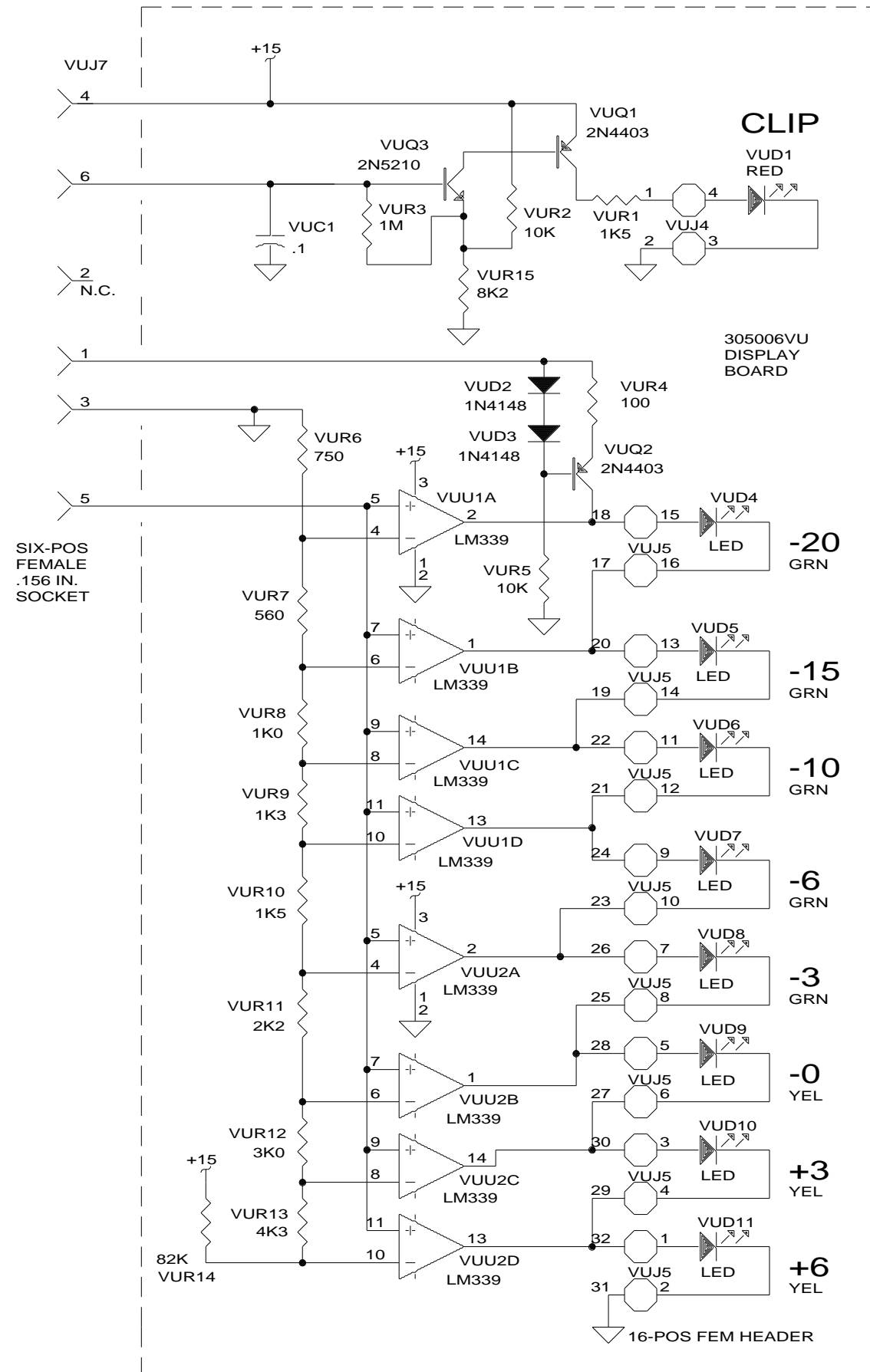
SYMETRIX INC.		
4211-24 TH AVE W. SEATTLE WA. 98199		
Title SCHEMATIC 528		
Size B	Document Number 191750	REV G1
Date: July 7, 1993	Sheet 3	of 6



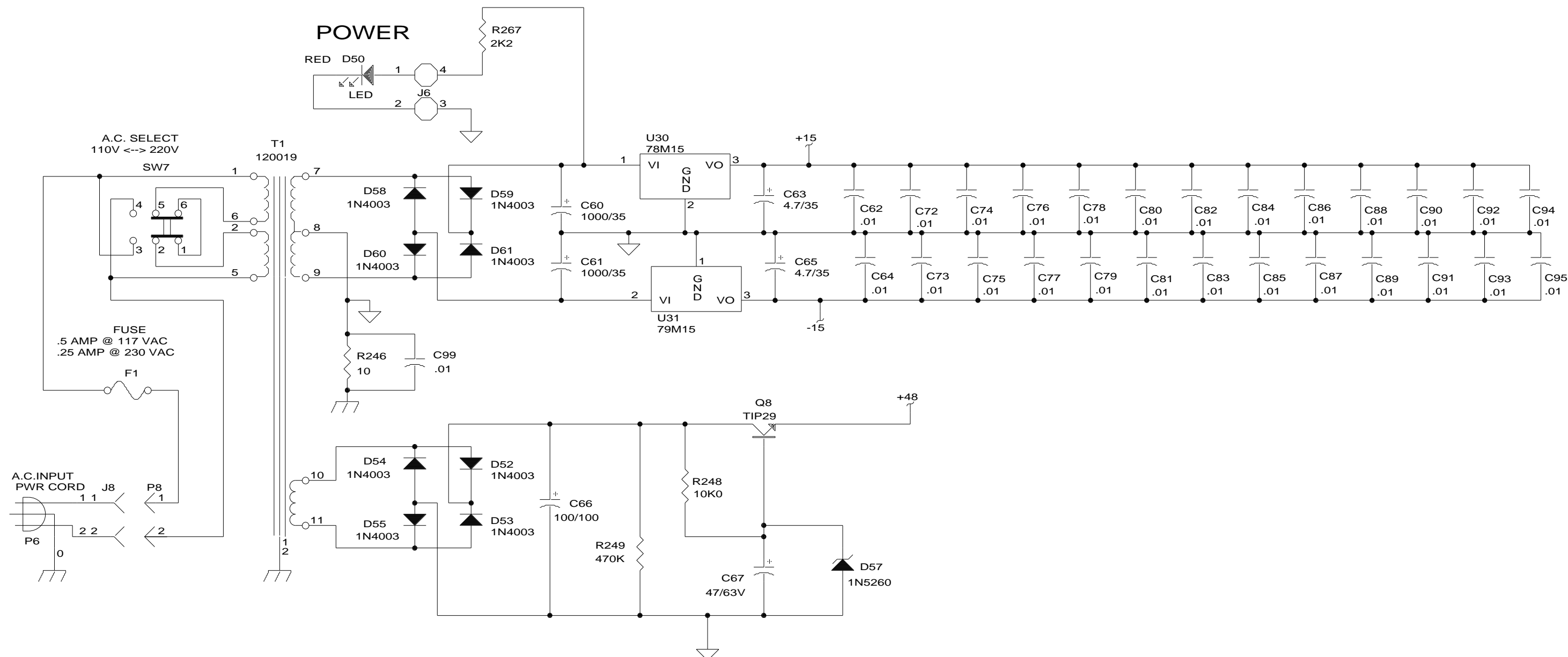
SYMETRIX, INC. 4211 24TH AVE WEST SEATTLE, WA 98121, USA		
Title		
SCHEMATIC 528		
Size	Document Number	REV
B	191750	G1
Date:	July 7, 1993	Sheet 4 of 6



SYMETRIX INC.		
4211-24 TH AVE W. SEATTLE WA. 98199		
Title		
SCHEMATIC 528		
Size	Document Number	REV
B	191750	G1
Date:	July 7, 1993	Sheet 5 of 6



SYMETRIX INC 4211-24 TH AVE W. SEATTLE WA.		
Title 528 VU DISPLAY		
Size B	Document Number 305006VU	REV G1
Date: July 7, 1993	Sheet 1	of 1



SYMETRIX INC.		
4211-24 TH AVE W. SEATTLE WA. 98199		
Title SCHEMATIC 528		
Size B	Document Number 191750	REV G1
Date: July 7, 1993	Sheet 6	of 6