

REVISION RECORD		
REV	REVISIONS DONE OR ECO NUMBER:	DATE:
A.00	FINAL CHANGES. RELEASED TO PRODUCTION	5/30/97
B.00	FIXED KEY LISTEN SWITCH	8/21/97

<p>CHAN 1</p> <p>DRAWN: R&B Reams</p> <p>DATED: 11/26/96</p> <p>RELEASED: DATED: </p>	<p>COMPANY: SYMETRIX INC.</p> <p>14926 35th Avenue West Lynnwood, WA 98037-2303 USA</p> <p>TITLE: 562 GATE/EXPANDER - CH1</p> <p>DRAWING NO: 562E1B00</p> <p>REV: B.00</p> <p>SHEET: 1 OF 7</p>
--	--

6

5

4

3

2

1

D

C

B

A

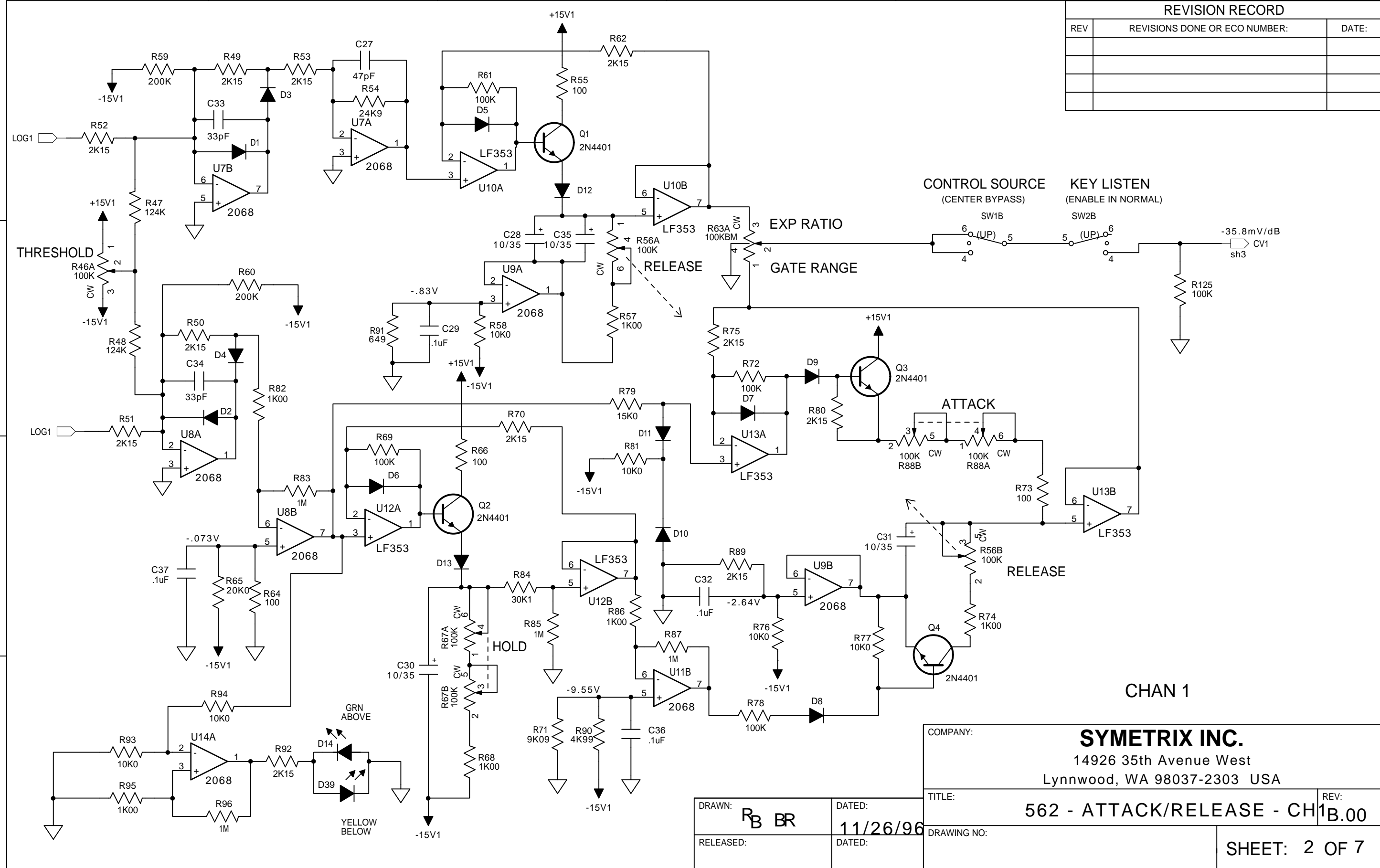
D

C

B

A

REVISION RECORD		
REV	REVISIONS DONE OR ECO NUMBER:	DATE:



COMPANY: **SYMETRIX INC.**
 14926 35th Avenue West
 Lynnwood, WA 98037-2303 USA

TITLE: **562 - ATTACK/RELEASE - CH1**

REV: **B.00**

DRAWN: **R_B BR** DATED: **11/26/96**

RELEASED: DATED:

DRAWING NO: SHEET: **2 OF 7**

6

5

4

3

2

1

D

C

B

A

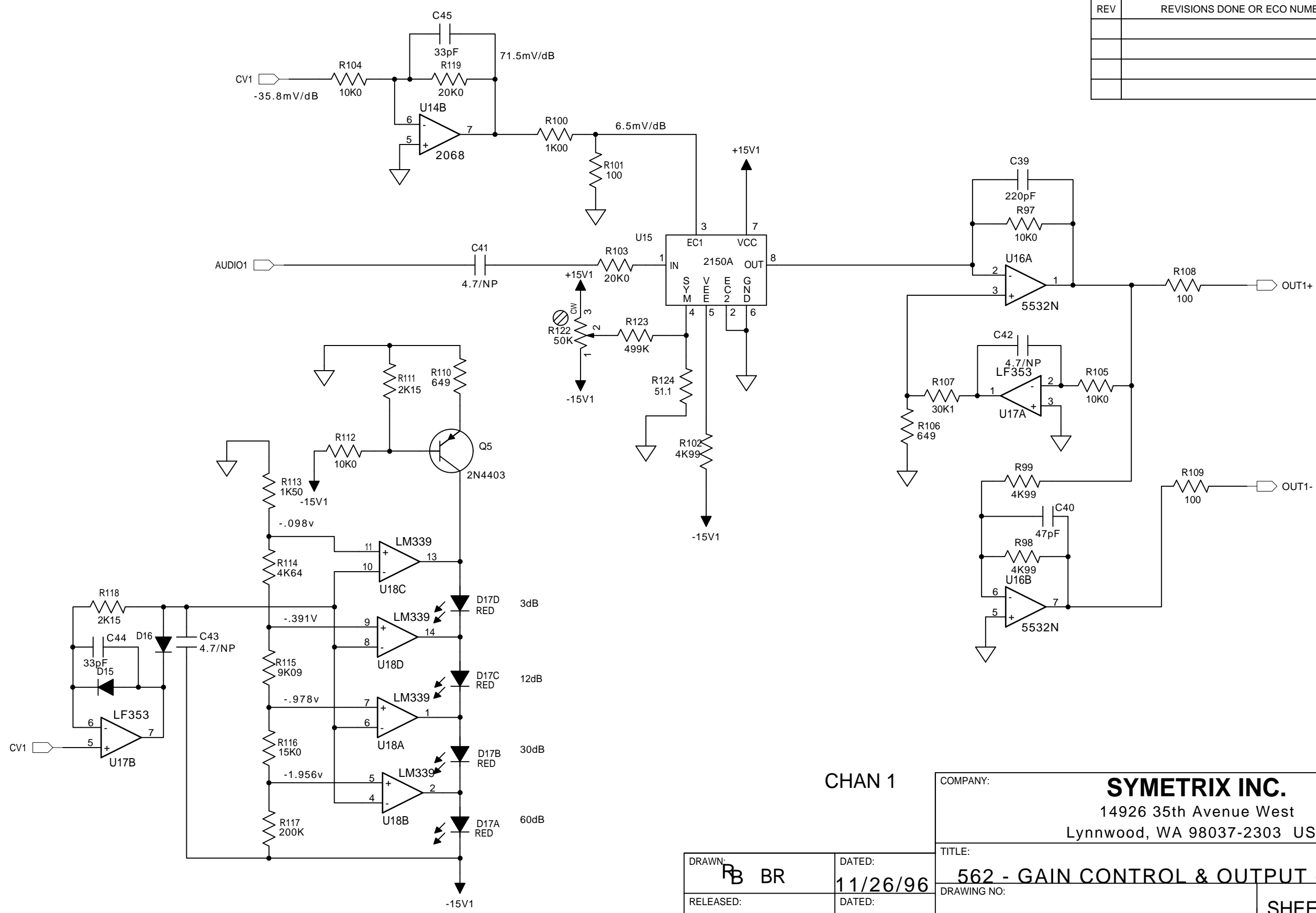
REVISION RECORD		
REV	REVISIONS DONE OR ECO NUMBER:	DATE:

D

C

B

A



CHAN 1

COMPANY:		SYMETRIX INC.	
		14926 35th Avenue West Lynnwood, WA 98037-2303 USA	
TITLE:		562 - GAIN CONTROL & OUTPUT - CH1 B.00	
DRAWING NO:		REV:	
SHEET: 3 OF 7			

DRAWN: RB BR	DATED: 11/26/96
RELEASED:	DATED:

6

5

4

3

2

1

D

D

C

C

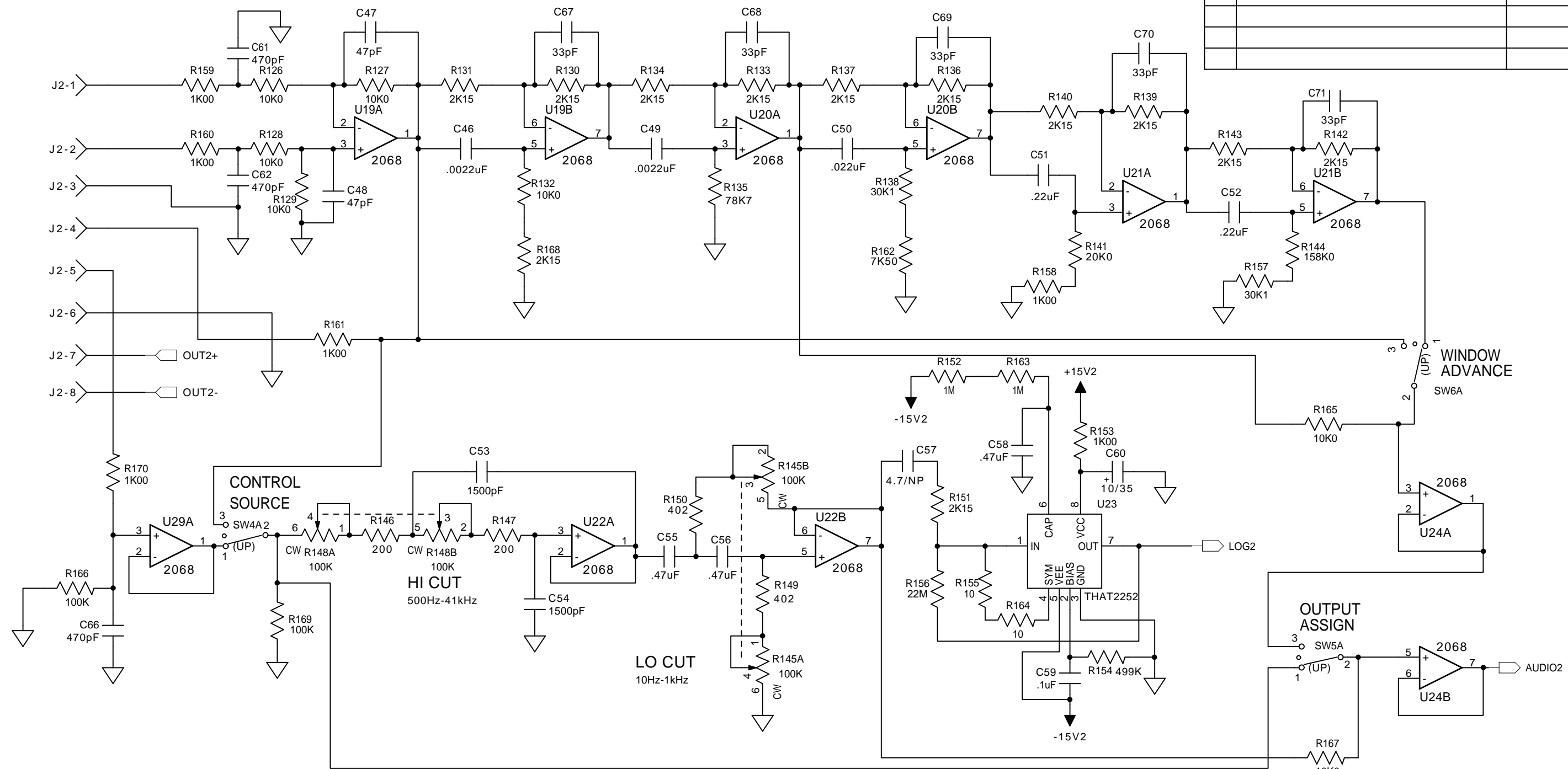
B

B

A

A

REVISION RECORD		
REV	REVISIONS DONE OR ECO NUMBER:	DATE:



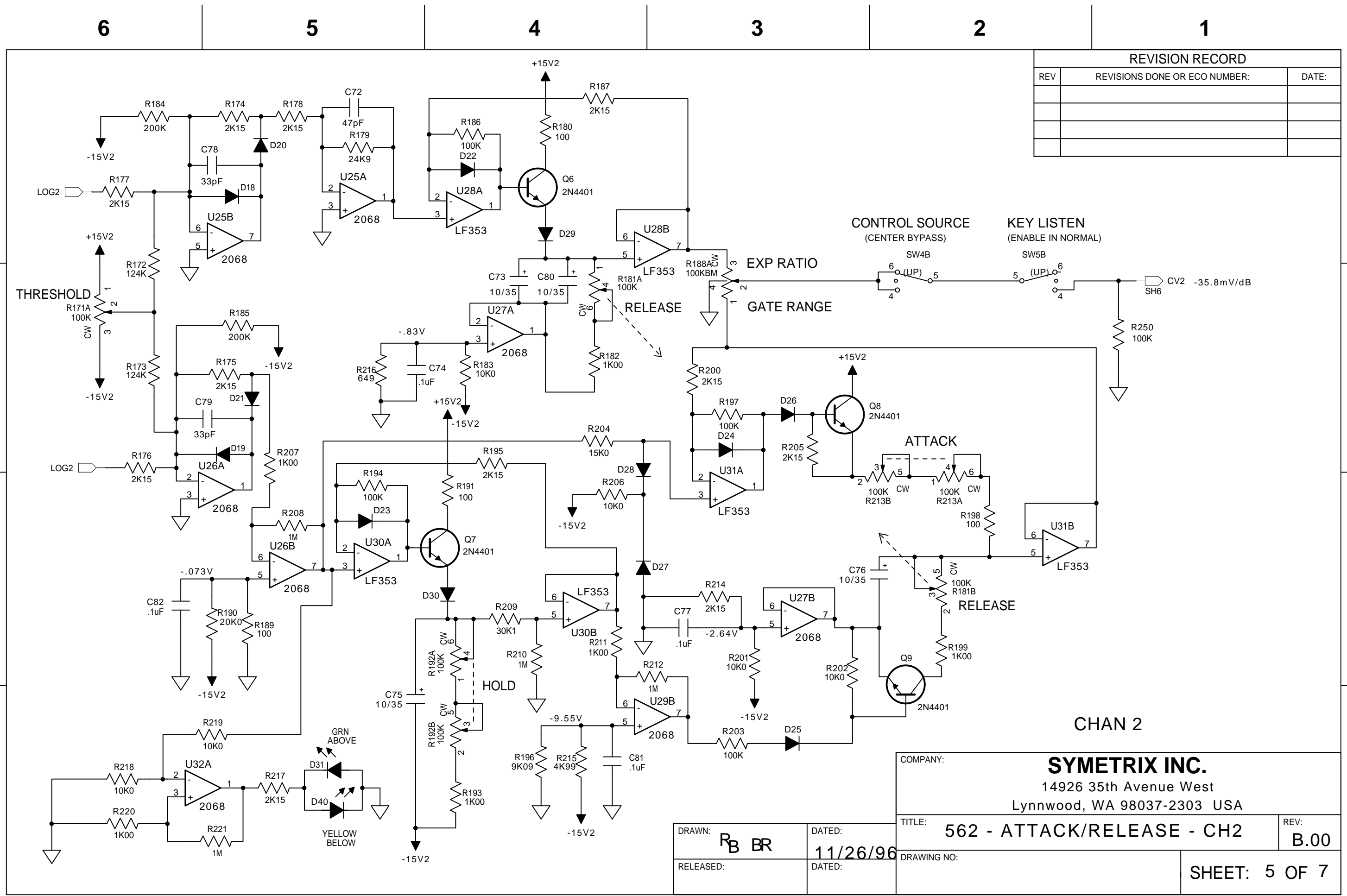
CHAN 2

COMPANY: **SYMETRIX INC.**
 14926 35th Avenue West
 Lynnwood, WA 98037-2303 USA

DRAWN: **R.B. & Reams**
 DATED: **11/26/96**
 RELEASED: _____
 DATED: _____

TITLE: **562 GATE/EXPANDER - CH2**
 REV: **B.00**
 DRAWING NO: **562E1100**
 SHEET: **4 OF 7**

REVISION RECORD		
REV	REVISIONS DONE OR ECO NUMBER:	DATE:



COMPANY: **SYMETRIX INC.**
 14926 35th Avenue West
 Lynnwood, WA 98037-2303 USA

TITLE: **562 - ATTACK/RELEASE - CH2** REV: **B.00**

DRAWN: **R_B BR** DATED: **11/26/96**

RELEASED: DATED: DRAWING NO: SHEET: **5 OF 7**

6

5

4

3

2

1

REVISION RECORD		
REV	REVISIONS DONE OR ECO NUMBER:	DATE:

D

D

C

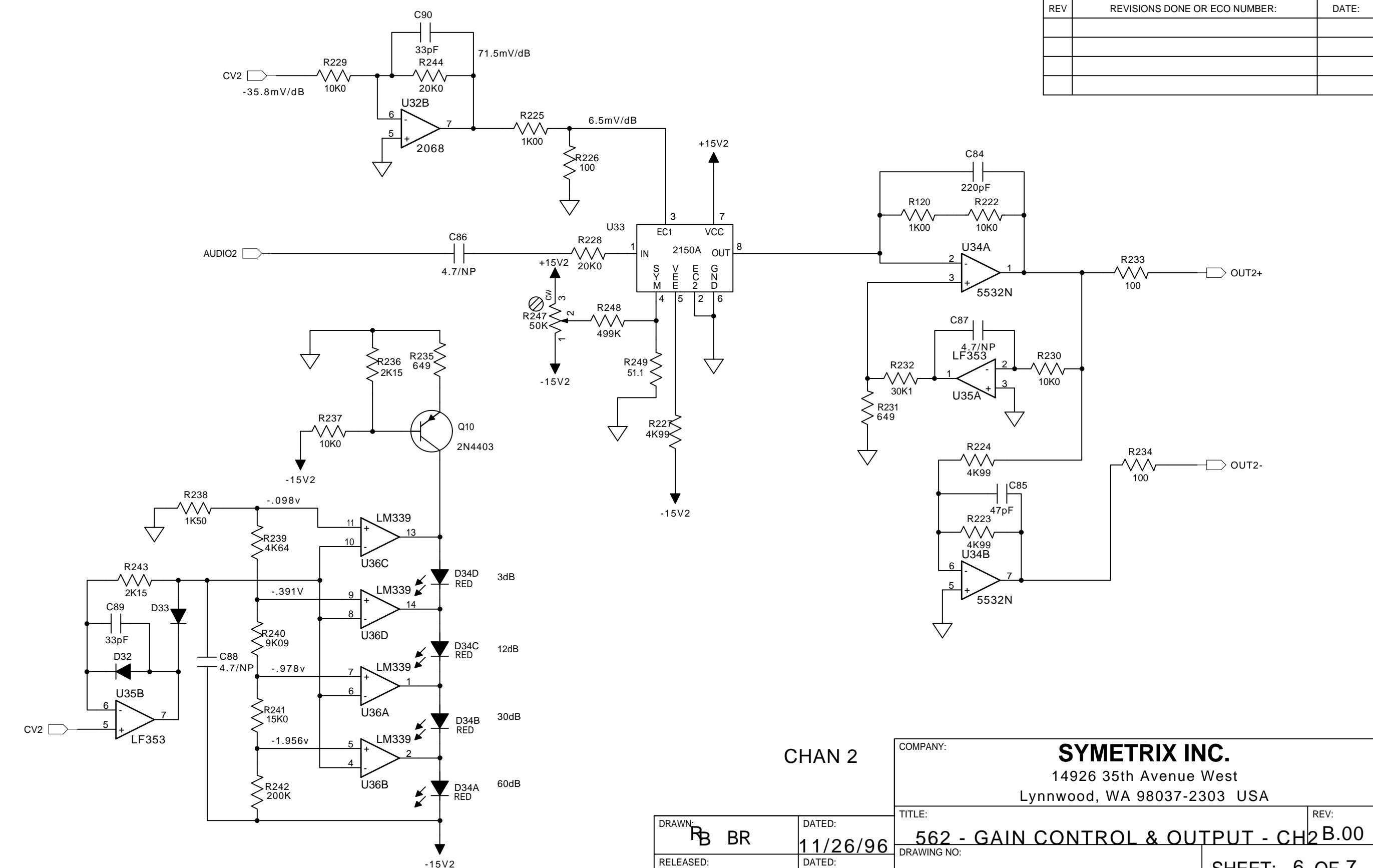
C

B

B

A

A



CHAN 2

COMPANY:		SYMETRIX INC.	
		14926 35th Avenue West Lynnwood, WA 98037-2303 USA	
TITLE:		562 - GAIN CONTROL & OUTPUT - CH2 B.00	
DRAWING NO:		REV:	
SHEET: 6 OF 7			

DRAWN:	DATED:
RB BR	11/26/96
RELEASED:	DATED:

6

5

4

3

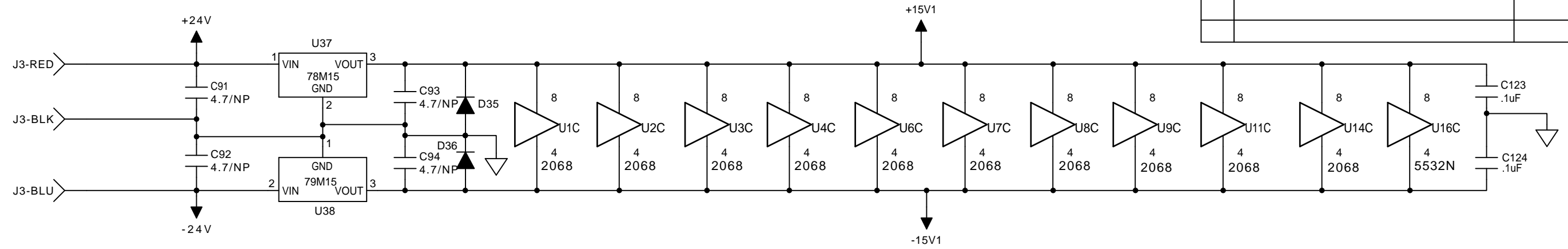
2

1

REVISION RECORD		
REV	REVISIONS DONE OR ECO NUMBER:	DATE:

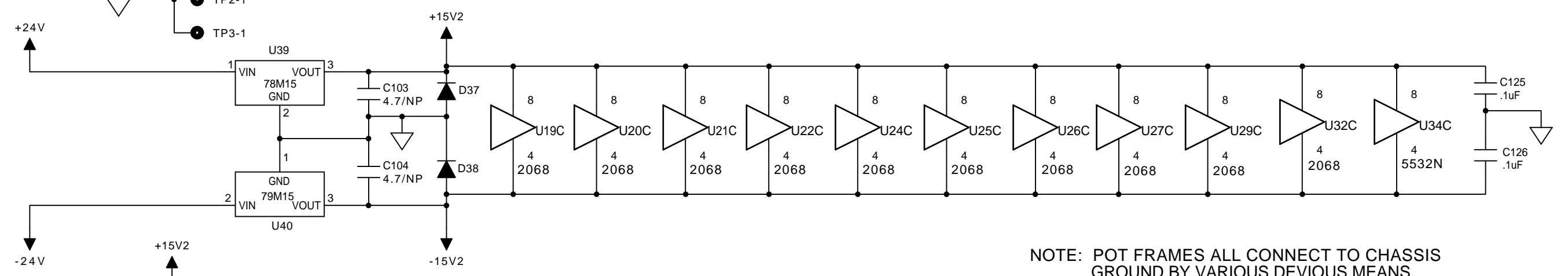
D

D



C

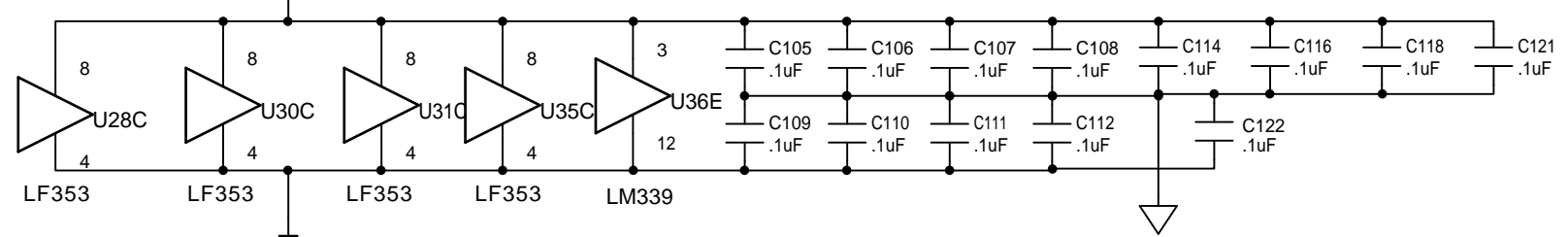
C



NOTE: POT FRAMES ALL CONNECT TO CHASSIS GROUND BY VARIOUS DEVIOS MEANS. SAME FOR TOGGLE SWITCH FRAMES.

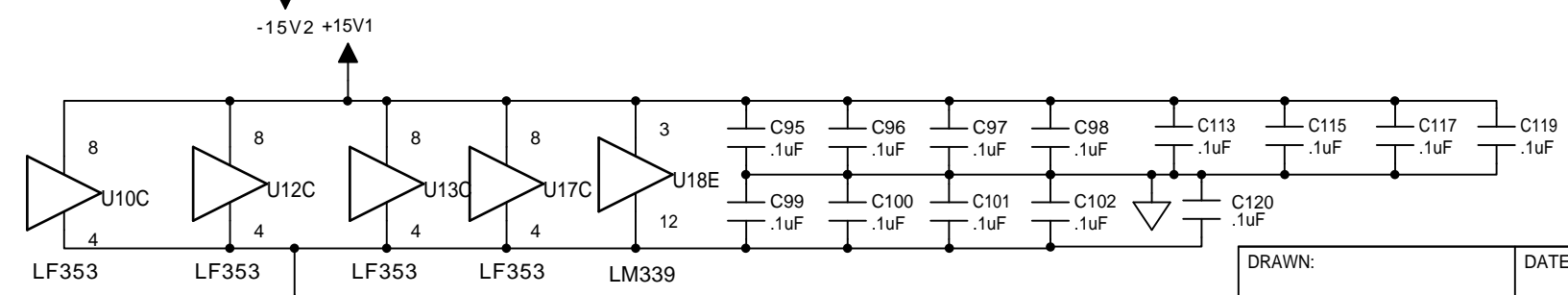
B

B



A

A



COMPANY:		SYMETRIX INC.	
		14926 35th Avenue West Lynnwood, WA 98037-2303 USA	
TITLE:		562 - POWER	REV: B.00
DRAWING NO:		SHEET: 7 OF 7	

DRAWN:	DATED:
RELEASED:	DATED: