



6

5

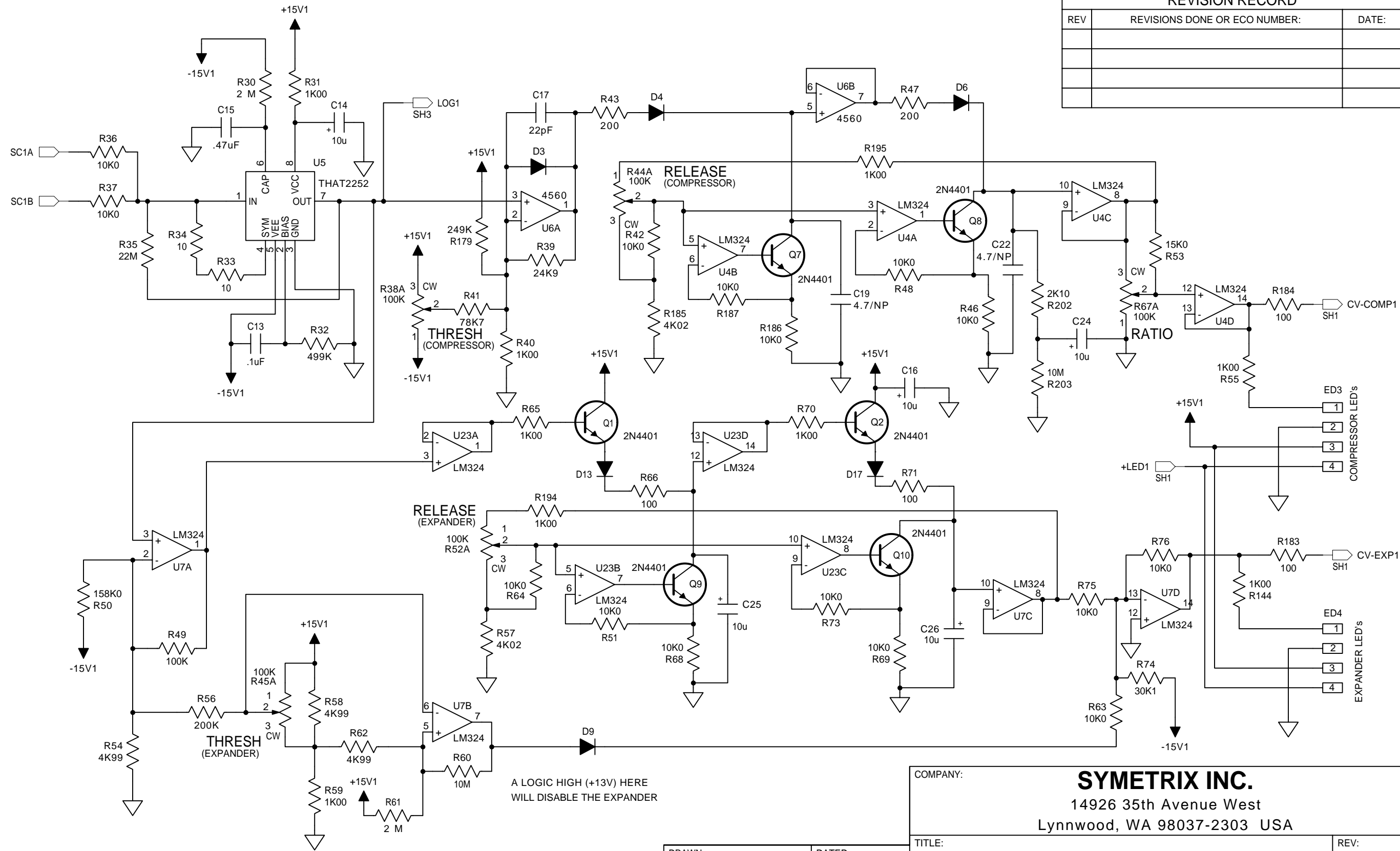
4

3

2

1

REVISION RECORD		
REV	REVISIONS DONE OR ECO NUMBER:	DATE:



COMPANY: **SYMETRIX INC.**  
 14926 35th Avenue West  
 Lynnwood, WA 98037-2303 USA

TITLE: **565E - COMPRESSOR & EXPANDER - CH 1**

DRAWING NO: \_\_\_\_\_

REV: \_\_\_\_\_

SHEET: 2 OF 7

DRAWN:	DATED:
RELEASED:	DATED:

D

D

C

C

B

B

A

A

6

5

4

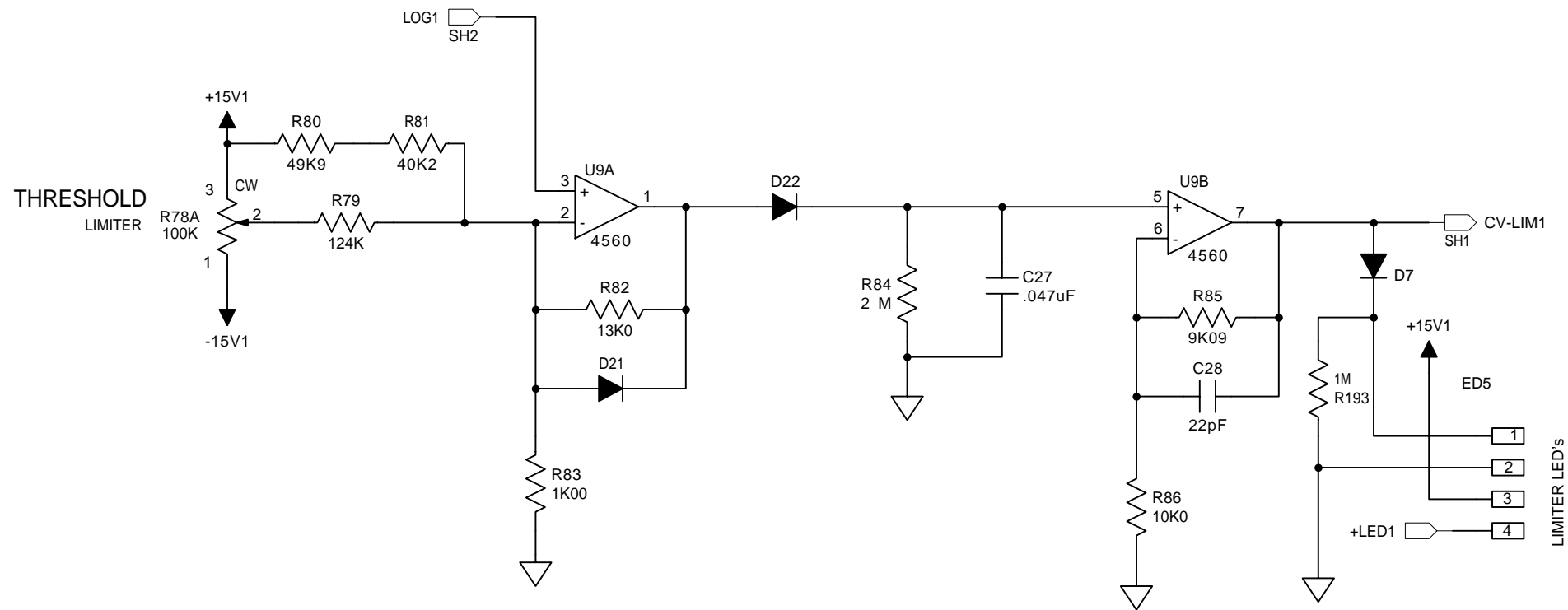
3

2

1

REVISION RECORD		
REV	REVISIONS DONE OR ECO NUMBER:	DATE:

THIS PAGE INTENTIONALLY  
MOSTLY BLANK  
(IT DOESN'T TAKE ALL THAT MUCH TO MAKE A LIMITER!)



COMPANY:		<b>SYMETRIX INC.</b>	
		14926 35th Avenue West Lynnwood, WA 98037-2303 USA	
TITLE:		565E - LIMITER - CH 1	REV:
DRAWING NO:		SHEET: 3 OF 7	

DRAWN:	DATED:
RELEASED:	DATED:

D

D

C

C

B

B

A

A

6

5

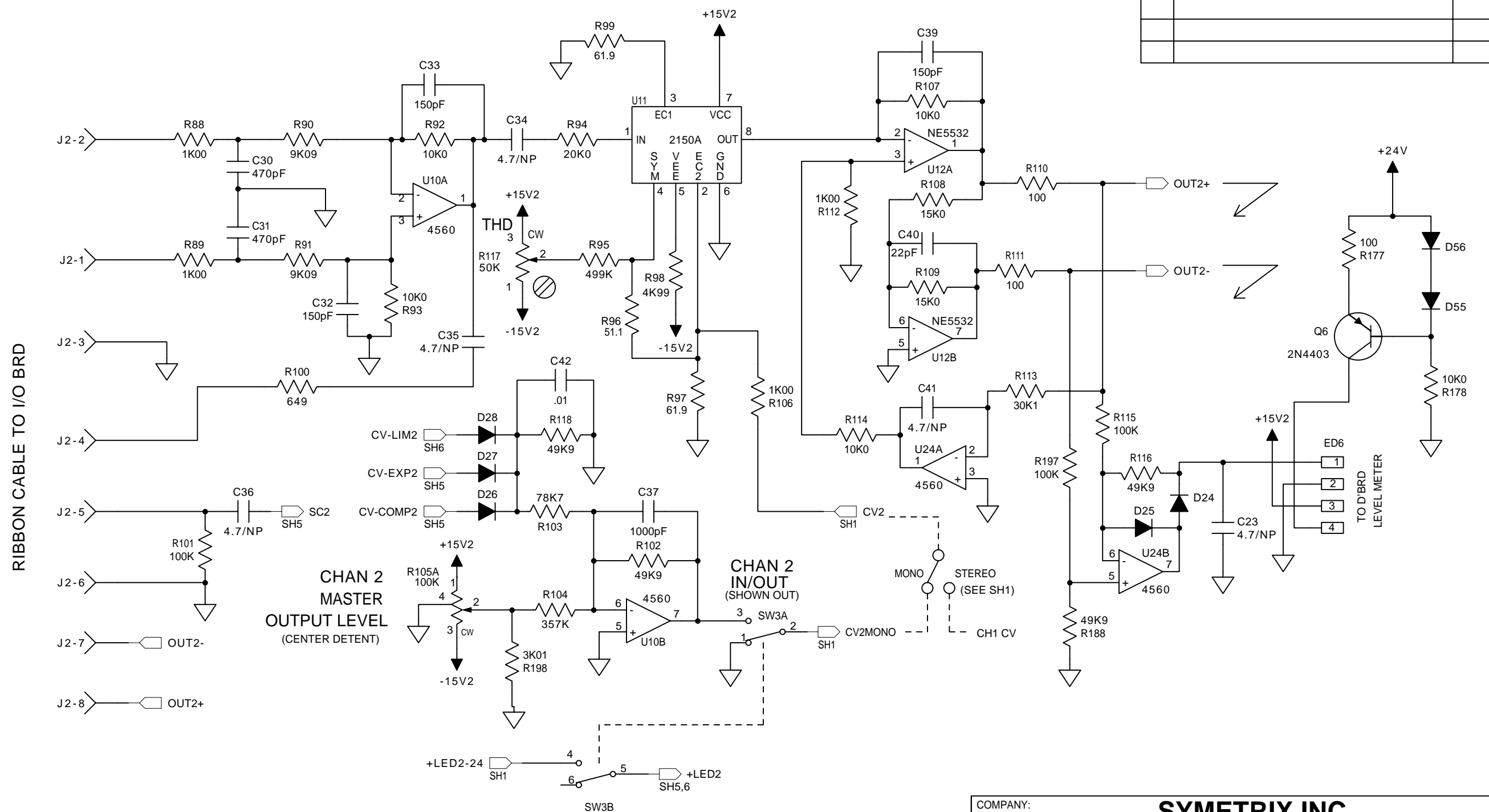
4

3

2

1

REVISION RECORD		
REV	REVISIONS DONE OR ECO NUMBER:	DATE:



RIBBON CABLE TO I/O BRD

CHAN 2 MASTER OUTPUT LEVEL (CENTER DETENT)

CHAN 2 IN/OUT (SHOWN OUT)

TO D'BRD LEVEL METER

COMPANY: **SYMETRIX INC.**  
 14926 35th Avenue West  
 Lynnwood, WA 98037-2303 USA

DRAWN: **RB** DATED: **9/25/97**  
 RELEASED: DATED:

TITLE: **565E CHANNEL 2 I/O & CONTROL** REV:  
 DRAWING NO: SHEET: **4 OF 7**

6

5

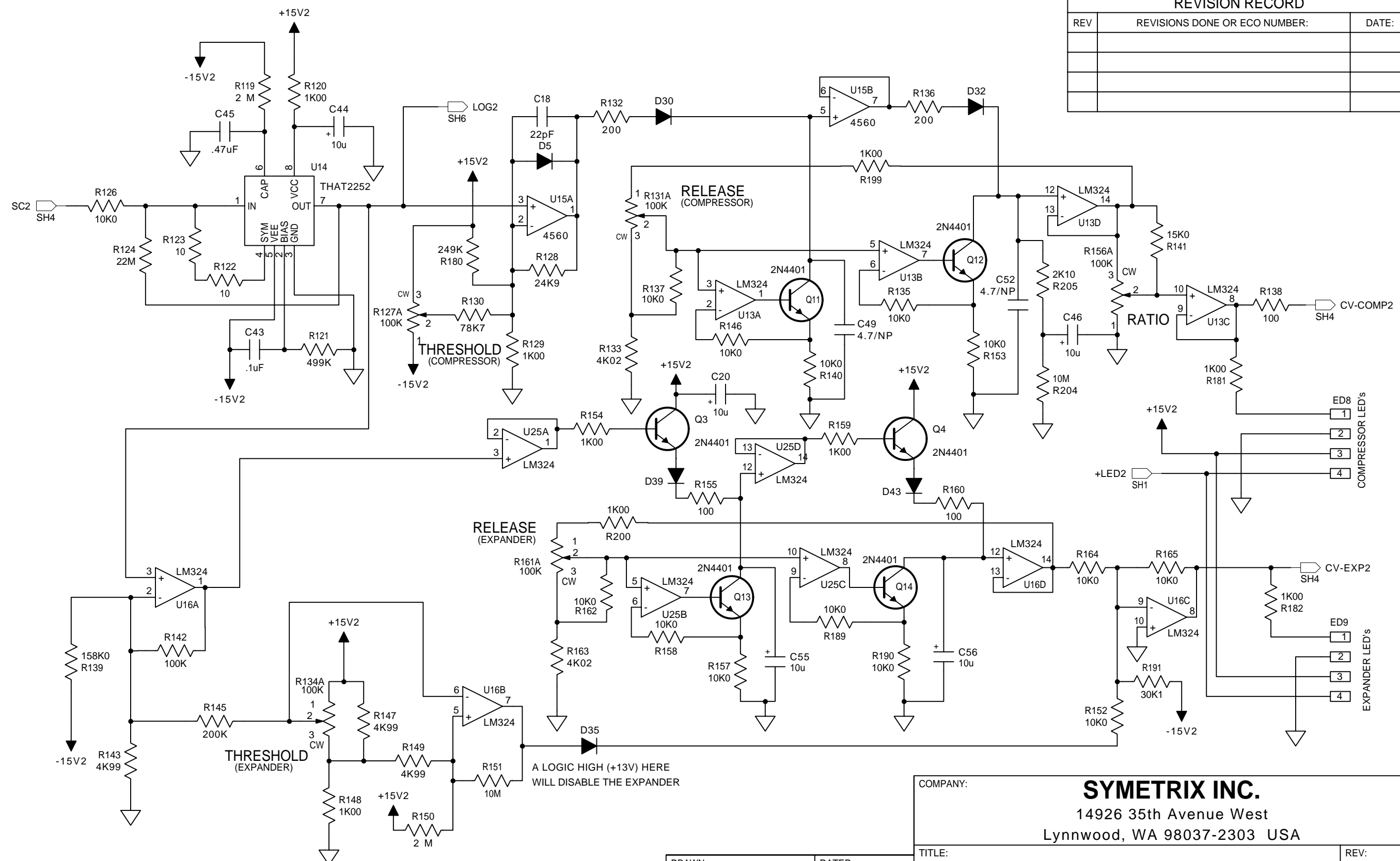
4

3

2

1

REVISION RECORD		
REV	REVISIONS DONE OR ECO NUMBER:	DATE:



**RELEASE (EXPANDER)**

A LOGIC HIGH (+13V) HERE WILL DISABLE THE EXPANDER

COMPANY: **SYMETRIX INC.**  
 14926 35th Avenue West  
 Lynnwood, WA 98037-2303 USA

DRAWN:	DATED:
RELEASED:	DATED:

TITLE: <b>565E - COMPRESSOR &amp; EXPANDER - CH 2</b>	REV:
DRAWING NO:	SHEET: 5 OF 7

D

D

C

C

B

B

A

A

6

5

4

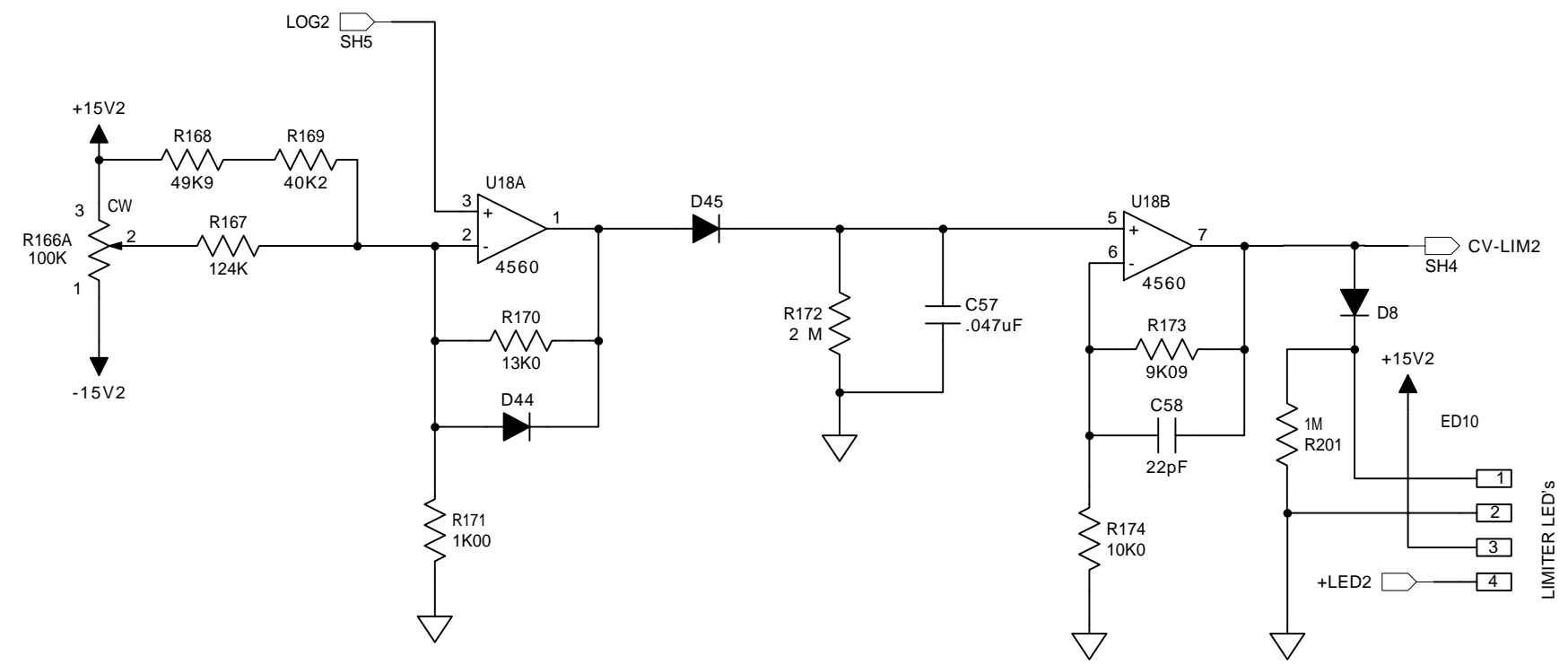
3

2

1

REVISION RECORD		
REV	REVISIONS DONE OR ECO NUMBER:	DATE:

THIS PAGE INTENTIONALLY  
MOSTLY BLANK  
(IT DOESN'T TAKE ALL THAT MUCH TO MAKE A LIMITER!)



COMPANY:		<b>SYMETRIX INC.</b>	
		14926 35th Avenue West Lynnwood, WA 98037-2303 USA	
TITLE:		<b>565E - LIMITER - CH 2</b>	REV:
DRAWING NO:		SHEET: 6 OF 7	

DRAWN:	DATED:
RELEASED:	DATED:

D

C

B

A

D

C

B

A

6

5

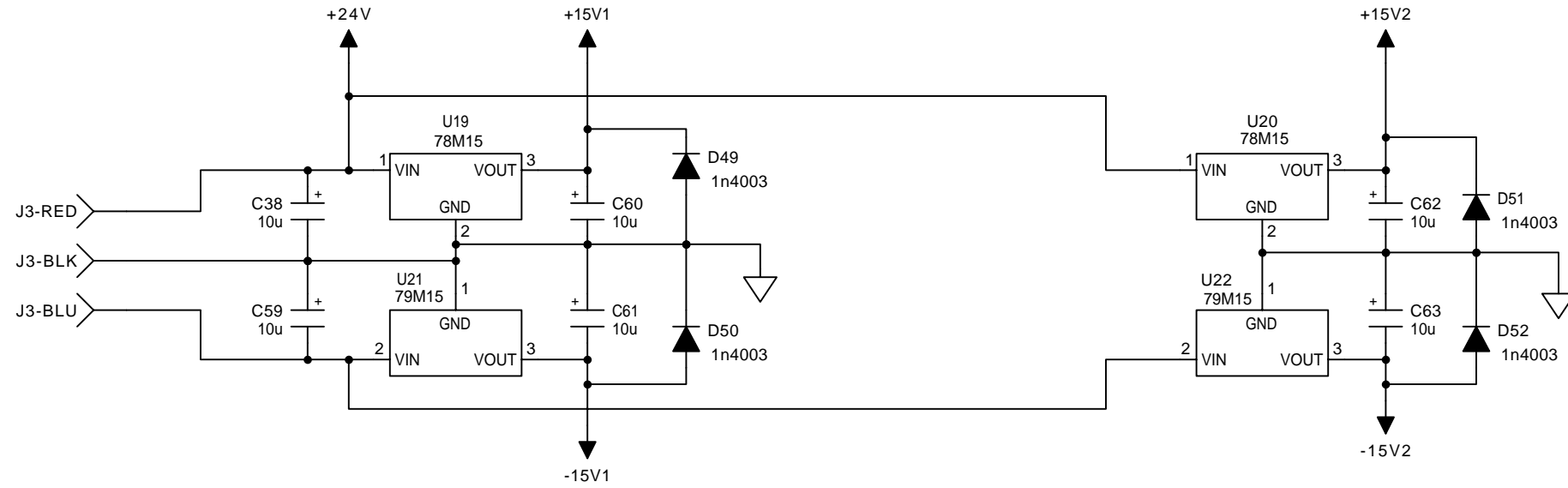
4

3

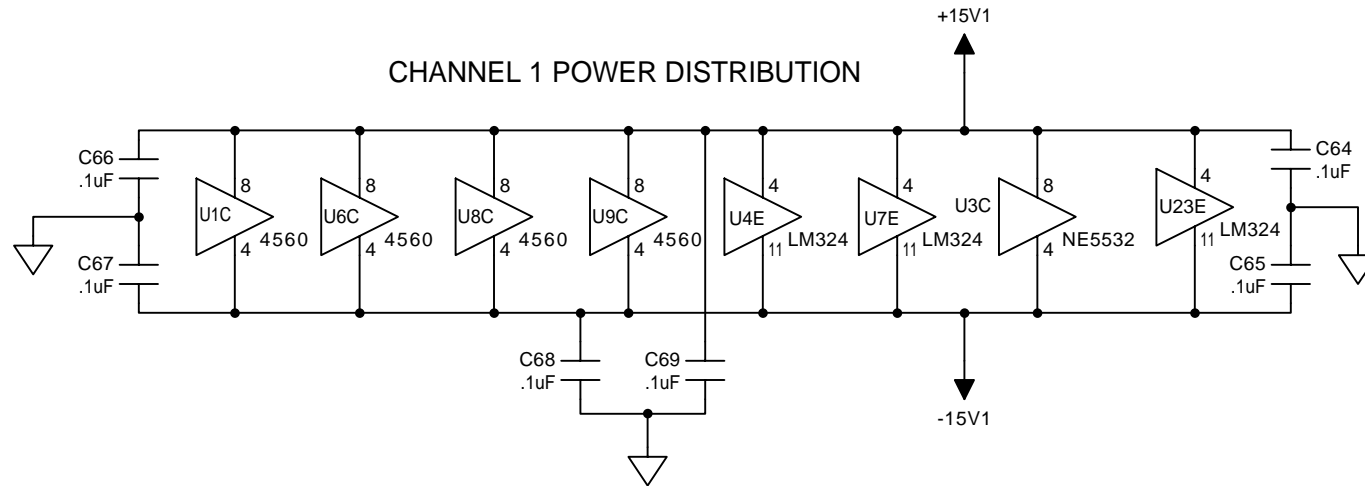
2

1

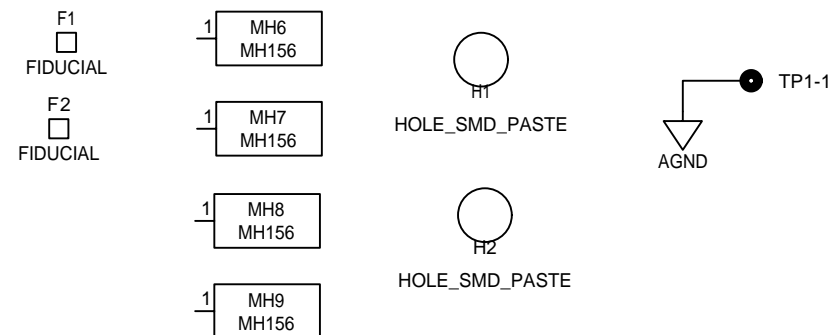
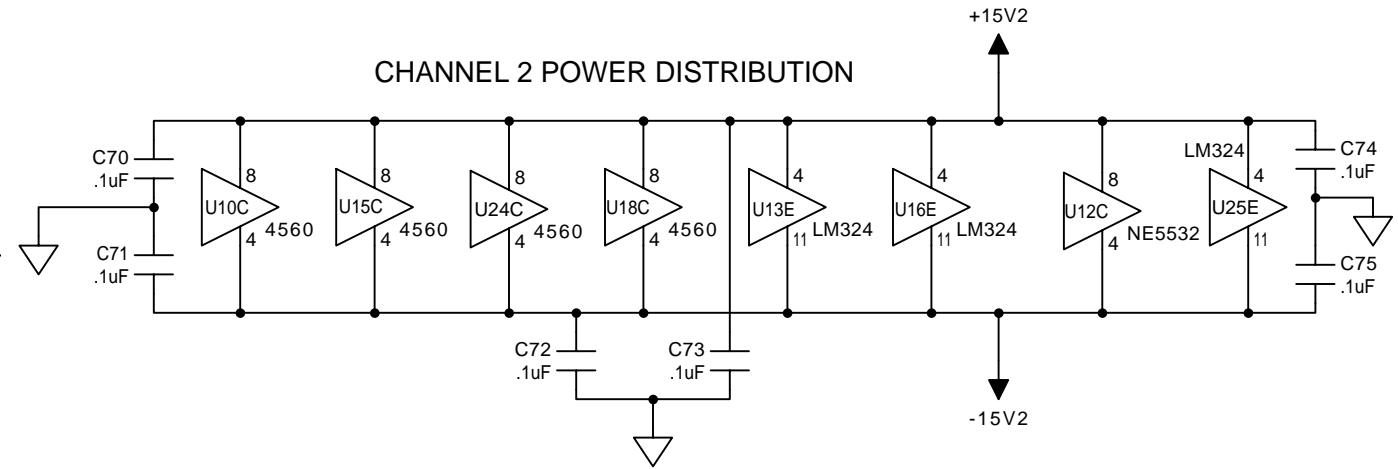
REVISION RECORD		
REV	REVISIONS DONE OR ECO NUMBER:	DATE:



CHANNEL 1 POWER DISTRIBUTION



CHANNEL 2 POWER DISTRIBUTION



COMPANY:		<b>SYMETRIX INC.</b>	
		14926 35th Avenue West Lynnwood, WA 98037-2303 USA	
TITLE:		565E - POWER	REV:
DRAWING NO:		SHEET: 7 OF 7	

DRAWN:	DATED:
RELEASED:	DATED: