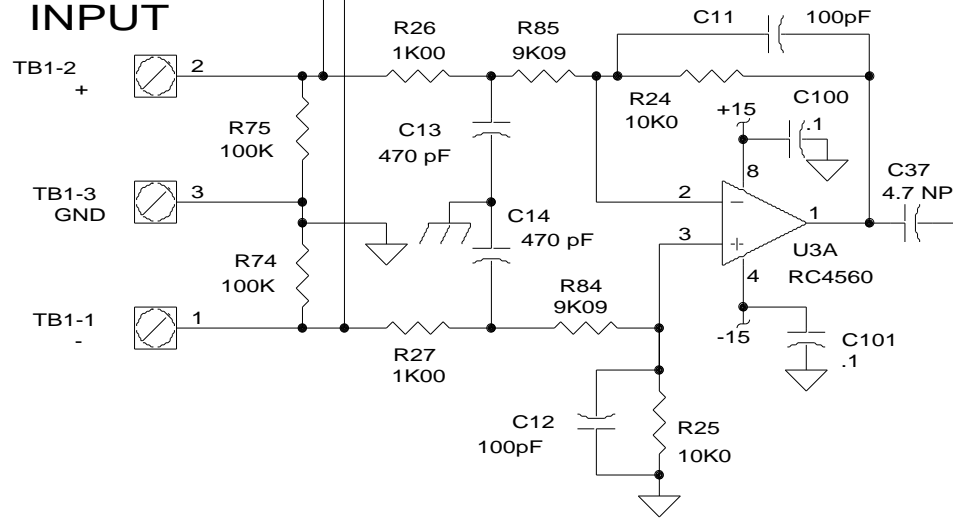
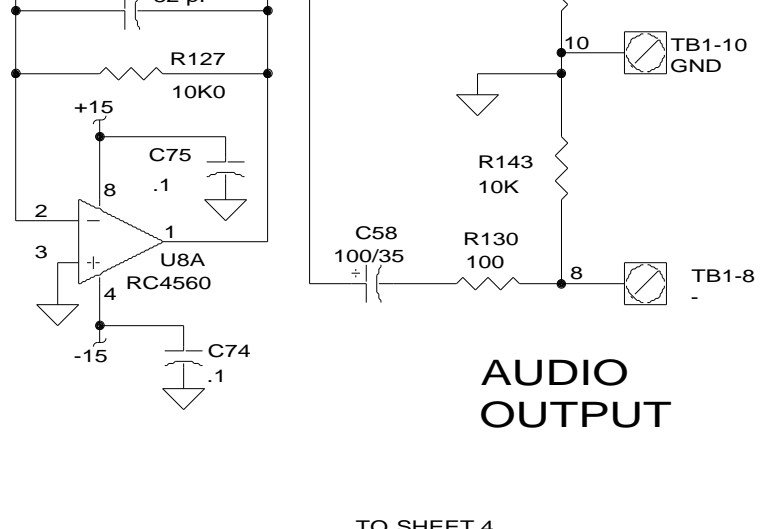
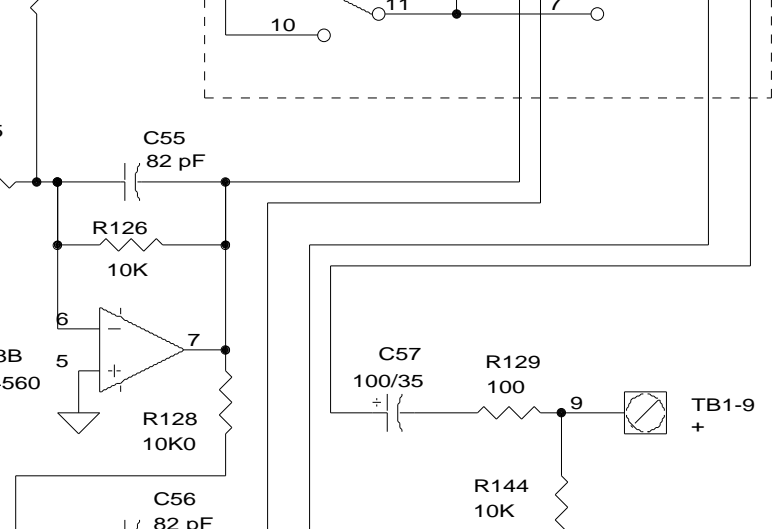
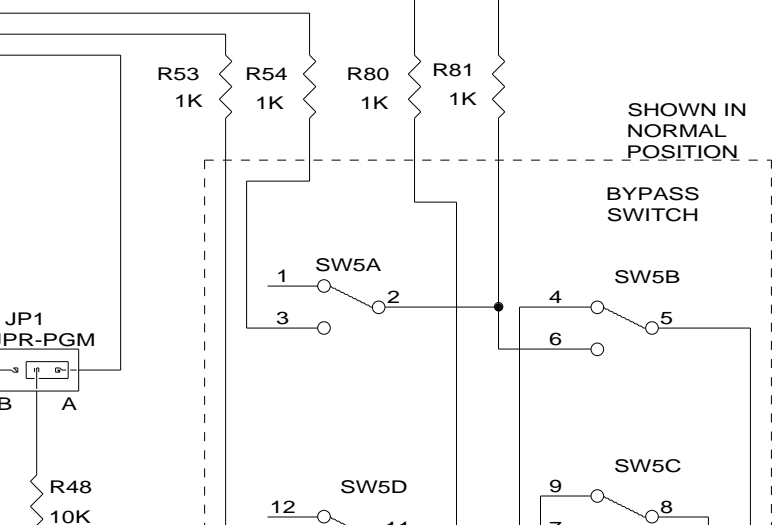
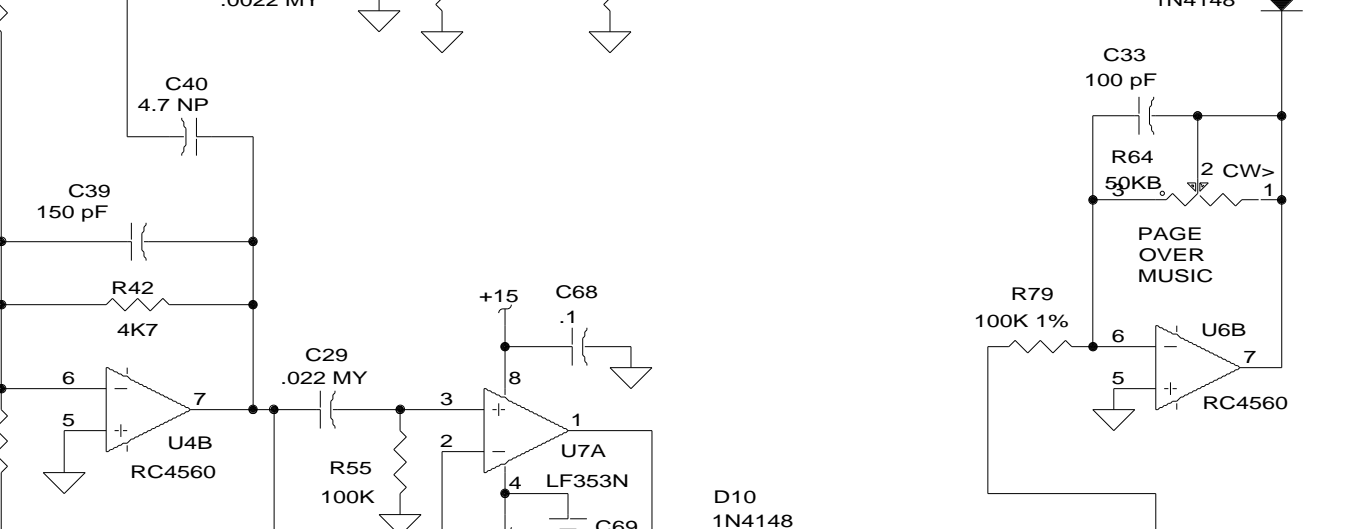
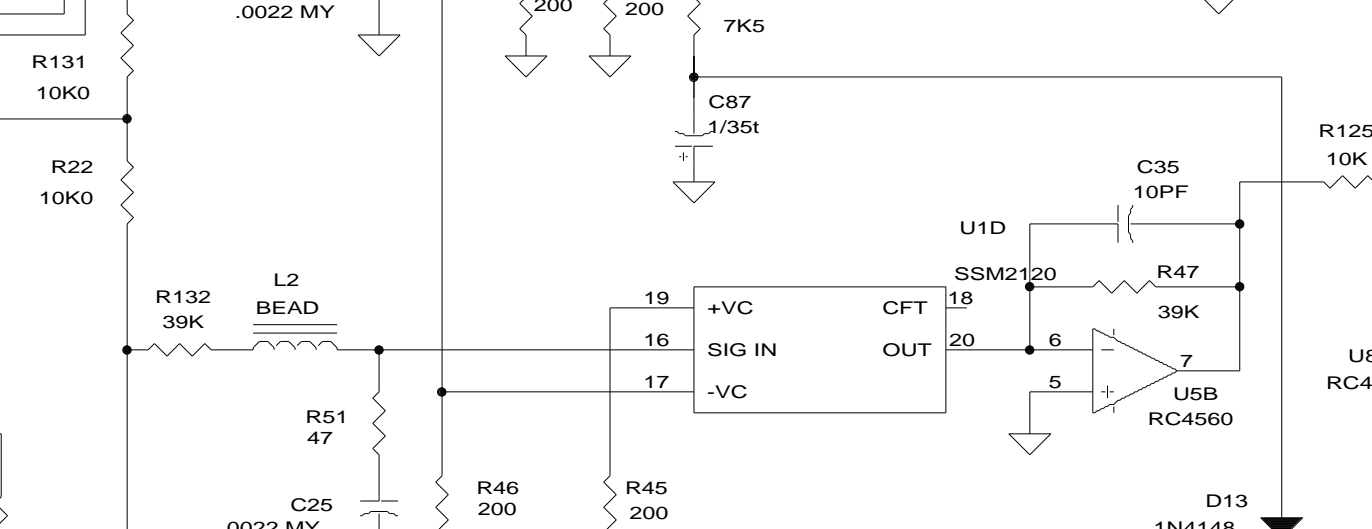
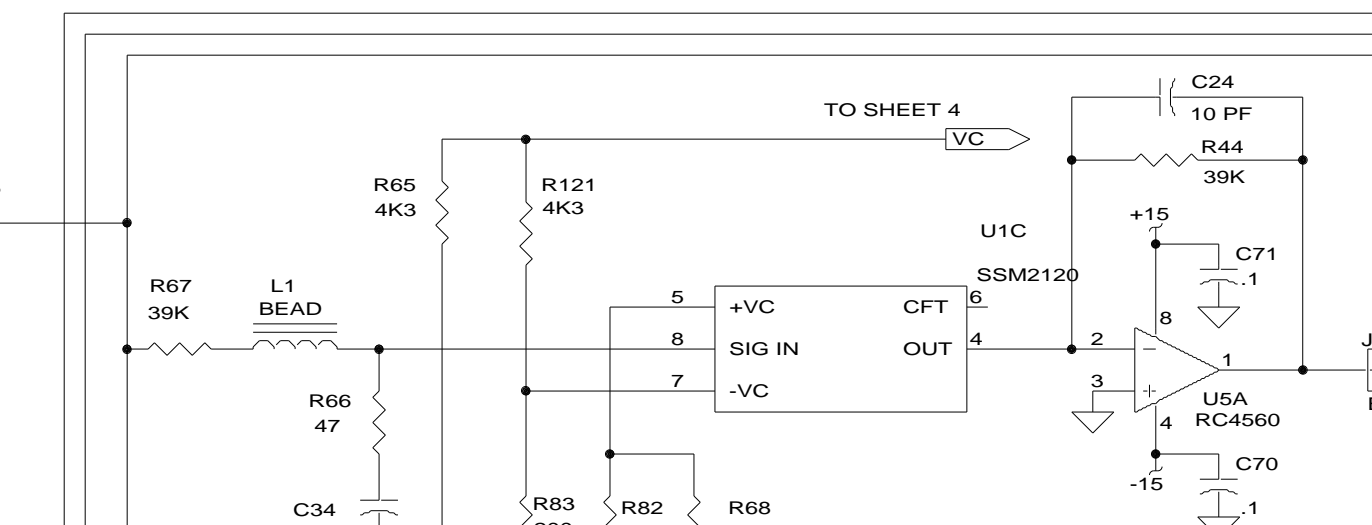
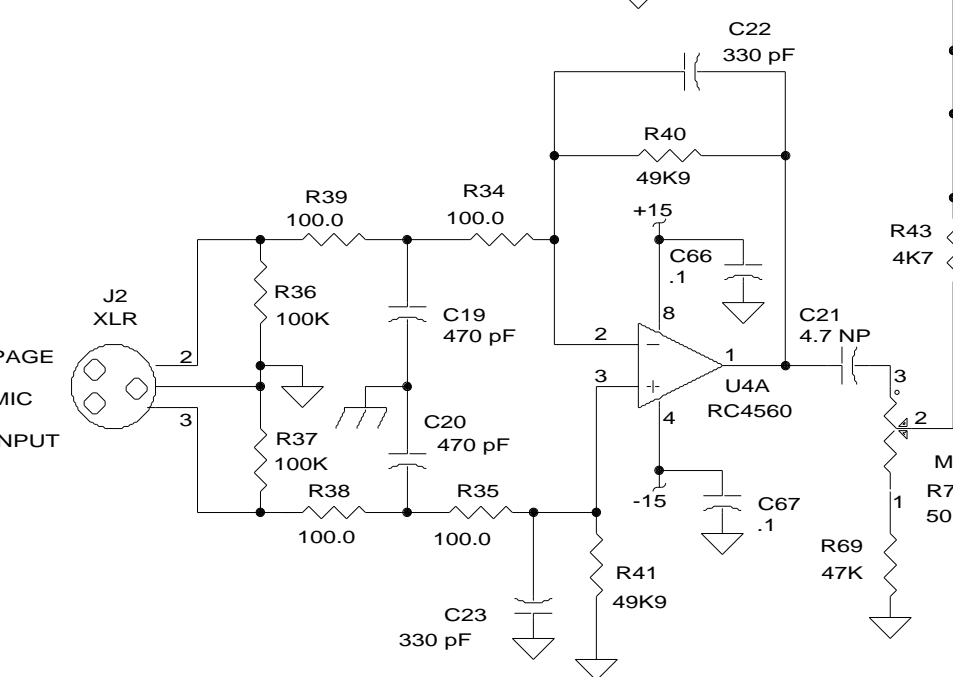
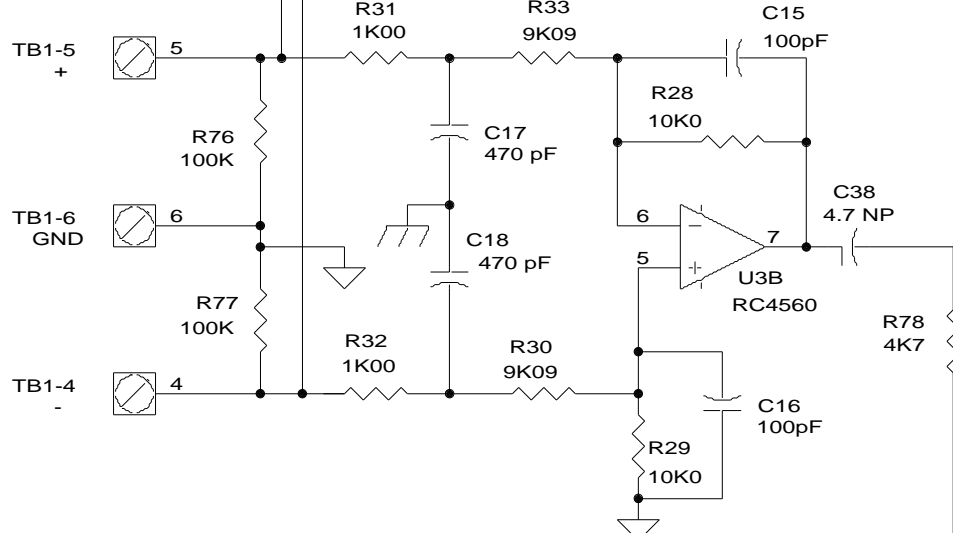


MUSIC INPUT



PAGE HOUSE FEED

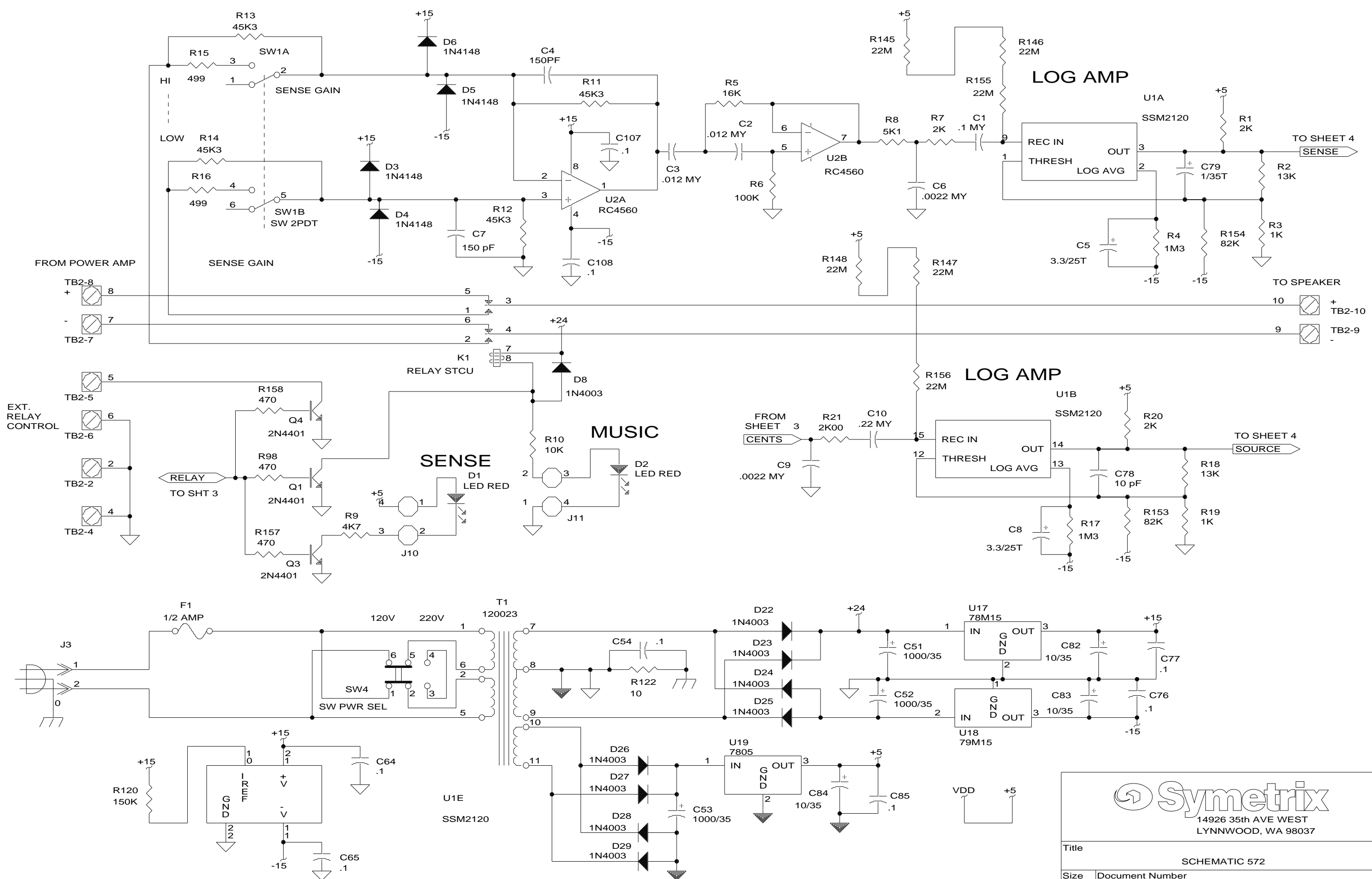


AUDIO OUTPUT

TO SHEET 4
A2

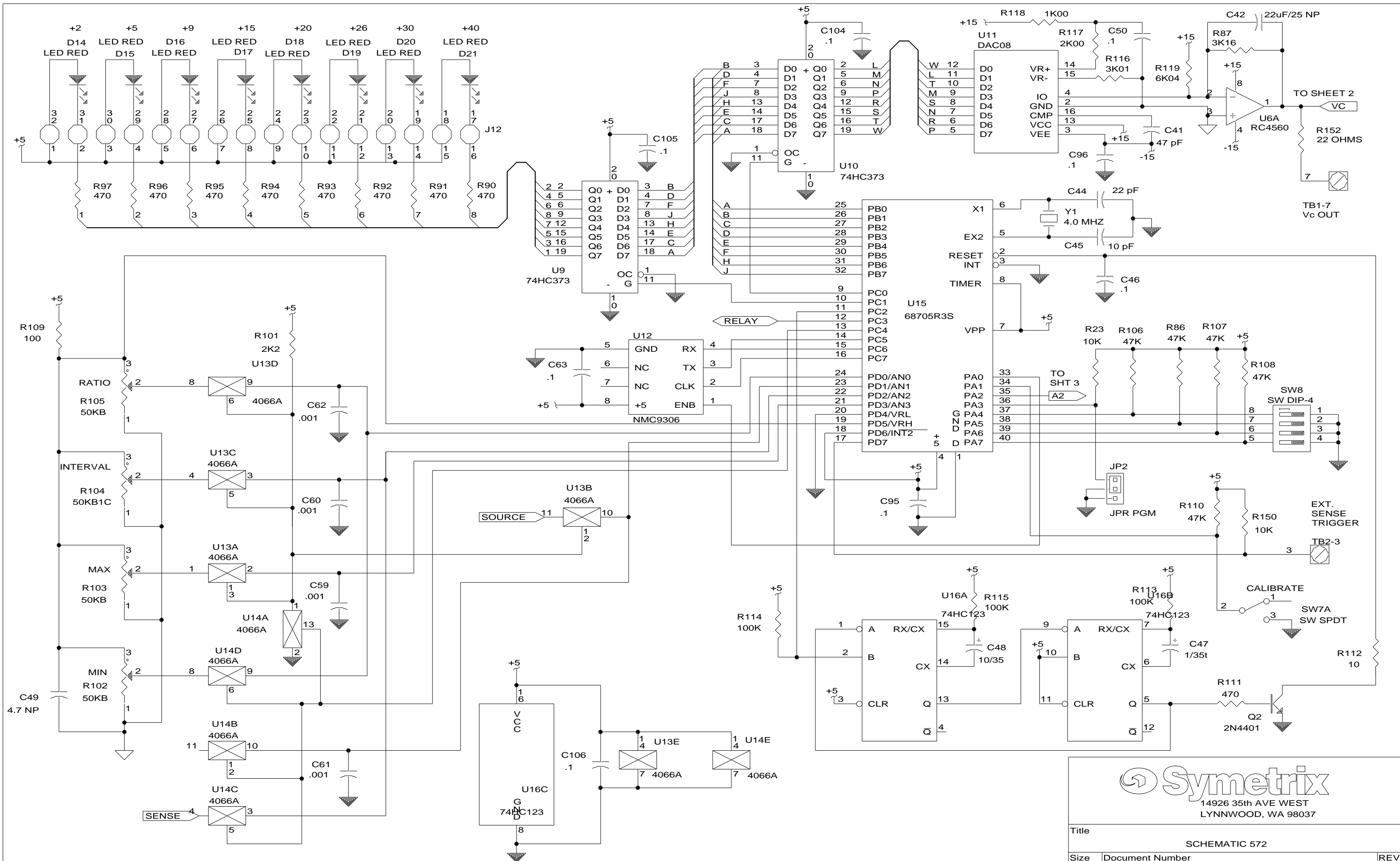
14926 35th AVE WEST
LYNNWOOD, WA 98037

Title		
SCHEMATIC 572		
Size	Document Number	REV
B	572_1B2.SCH	B3
Date:	August 18, 1993	Sheet 1 of 3




 14926 35th AVE WEST
 LYNNWOOD, WA 98037

Title		
SCHEMATIC 572		
Size	Document Number	REV
B	572_1B2.SCH	B3
Date:	August 18, 1993	Sheet 2 of 3



14926 35th AVE WEST
LYNNWOOD, WA 98037

Title		
SCHEMATIC 572		
Size	Document Number	REV
B	572_1B2.SCH	B3
Date:	August 18, 1993	Sheet 3 of 3