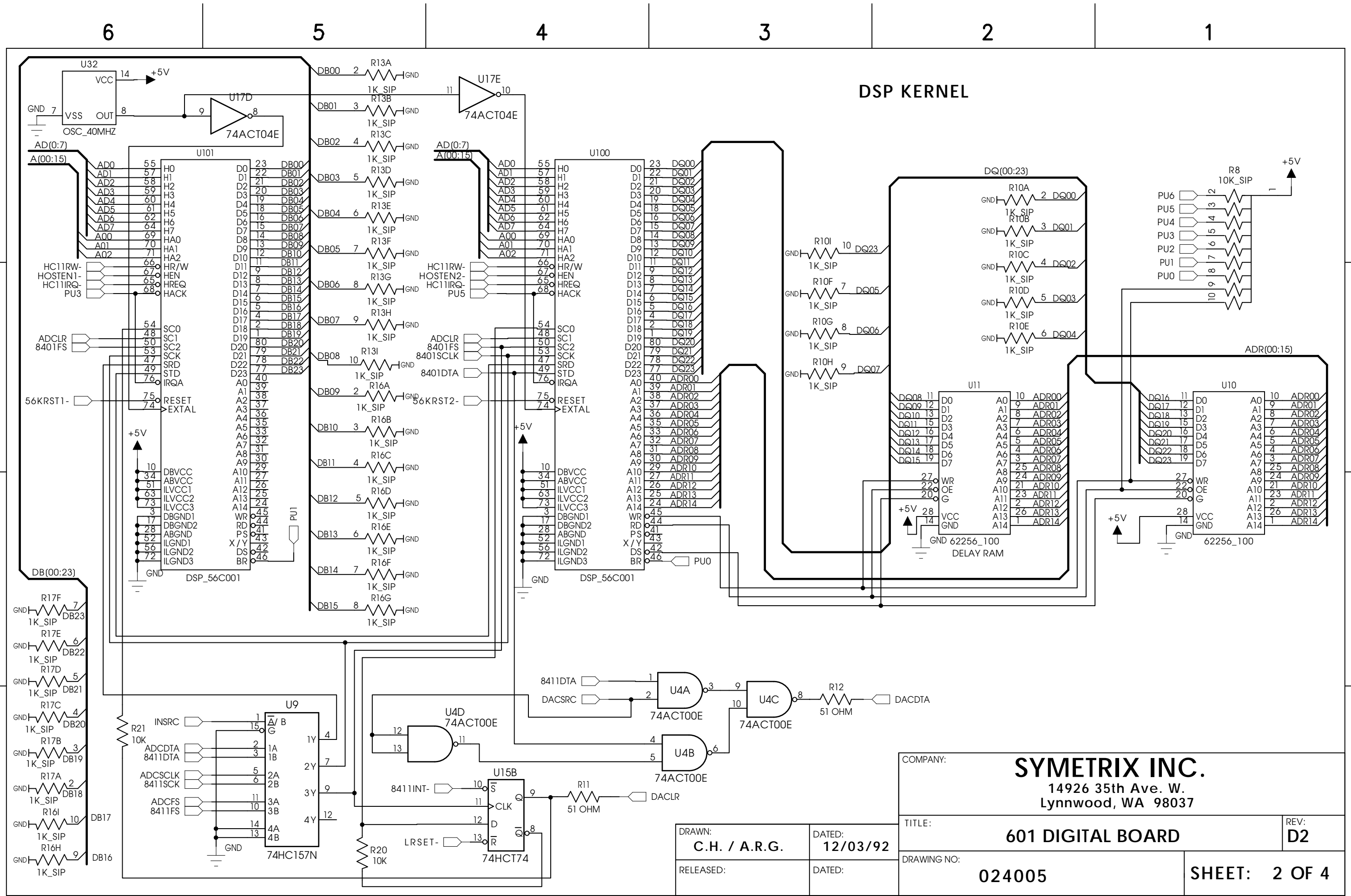


REVISION RECORD		
LTR	REVISIONS DONE OR ECO NUMBER:	DATE:
A	1st Production	2-9-93
B	ECN# 601-2 and 601-3	4-21-93
C	ECN# 224005 - 3	5-28-93
D	Changed DSPs to 56C001 type	9-9-93

COMPANY: **SYMETRIX INC.**
 14926 35th Ave. W.
 Lynnwood, WA 98037

TITLE:	601 DIGITAL BOARD	REV:	D2
DRAWN:	ch / arg	DATED:	12/03/92
RELEASED:		DATED:	
DRAWING NO:	024005	SHEET:	1 OF 4



COMPANY:		SYMETRIX INC.	
		14926 35th Ave. W. Lynnwood, WA 98037	
TITLE:		601 DIGITAL BOARD	REV: D2
DRAWING NO:		024005	SHEET: 2 OF 4

DRAWN:	DATED:
C.H. / A.R.G.	12/03/92
RELEASED:	DATED:

6

5

4

3

2

1

D

D

C

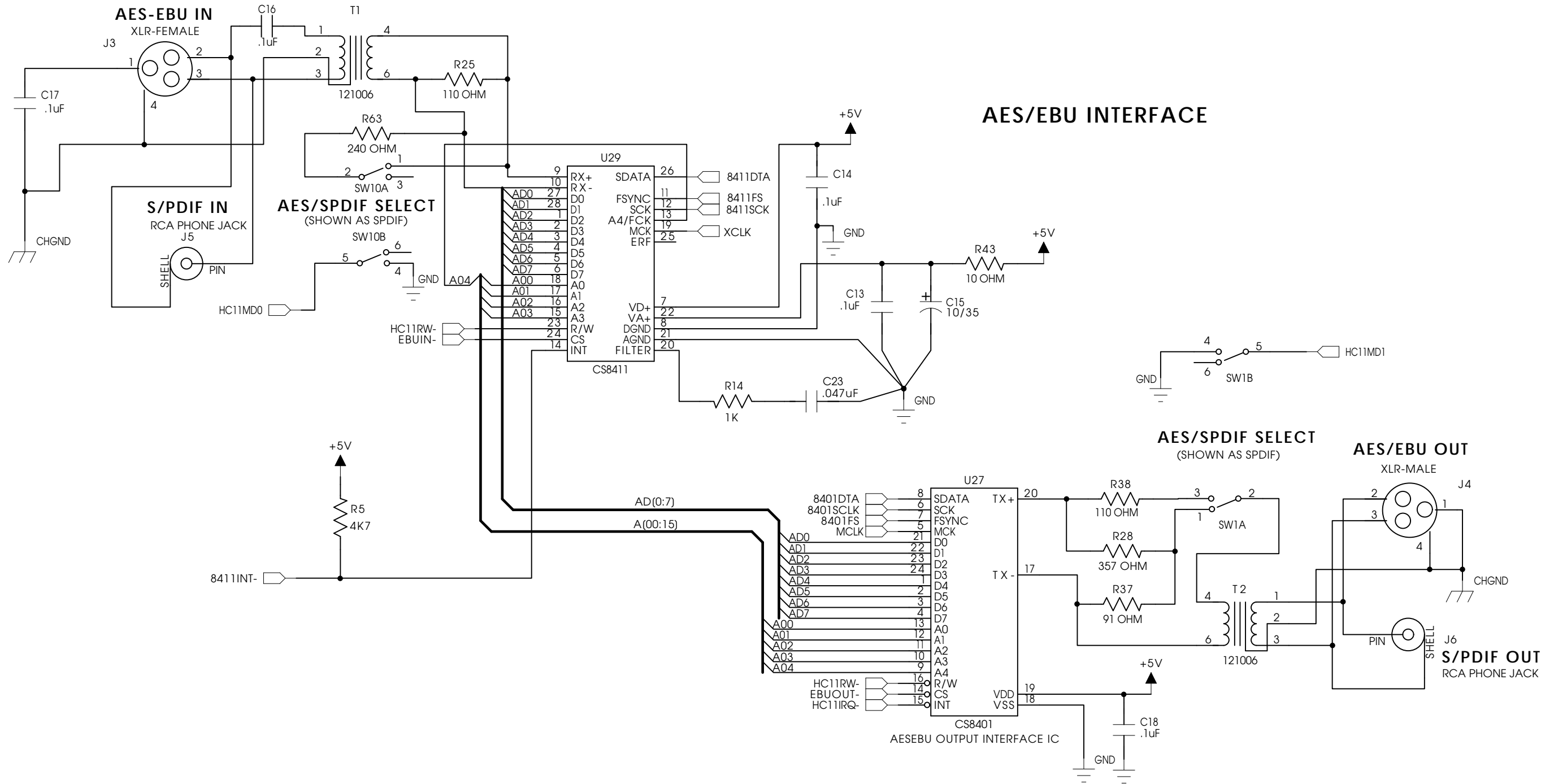
C

B

B

A

A



COMPANY: **SYMETRIX INC.**
 14926 35th Ave. W.
 Lynnwood, WA 98037

TITLE: **601 DIGITAL BOARD** REV: **D2**

DRAWING NO: **024005** SHEET: **3 OF 4**

DRAWN: C.H. / A.R.G.	DATED: 12/03/92
RELEASED:	DATED:

6

5

4

3

2

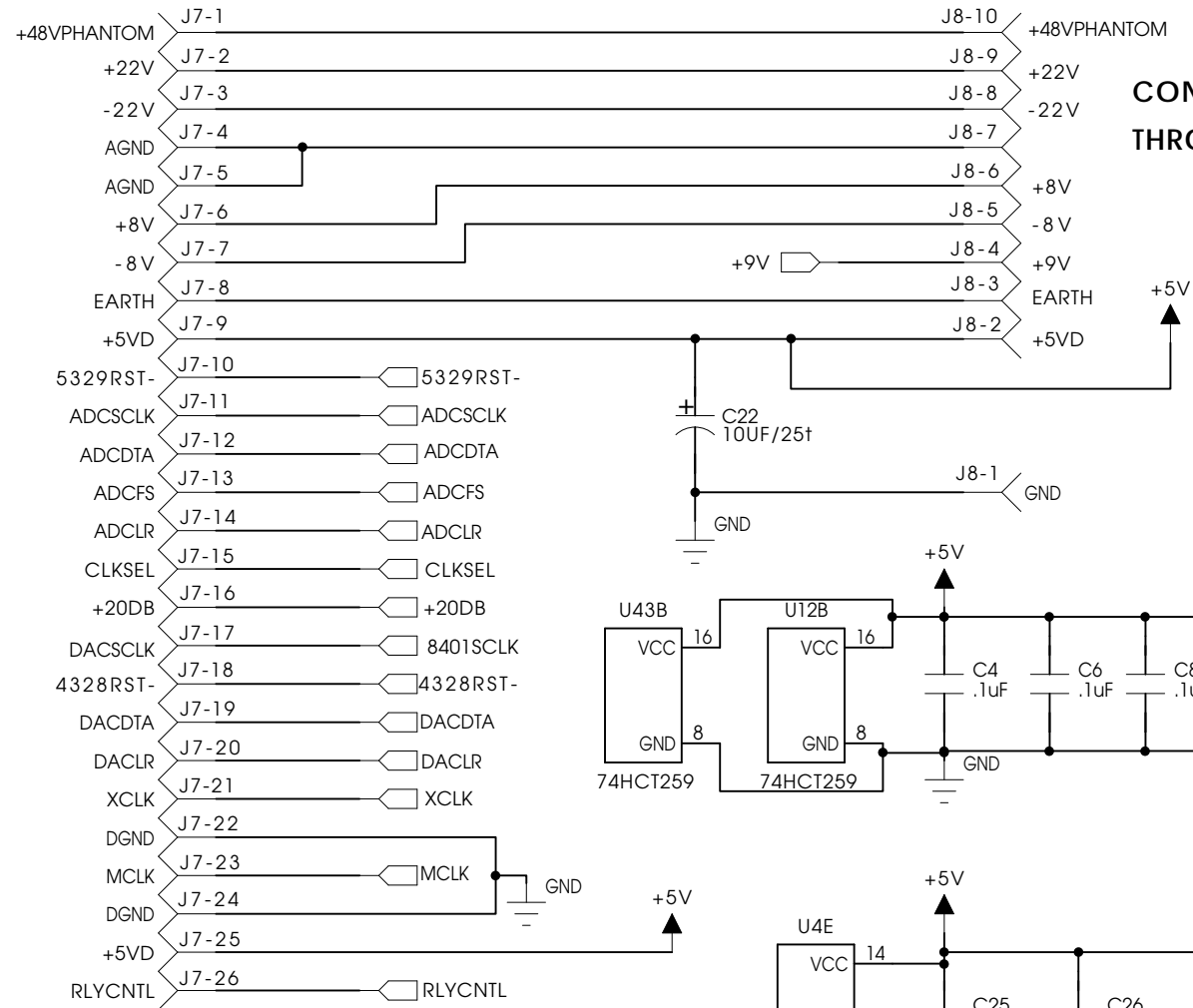
1

D

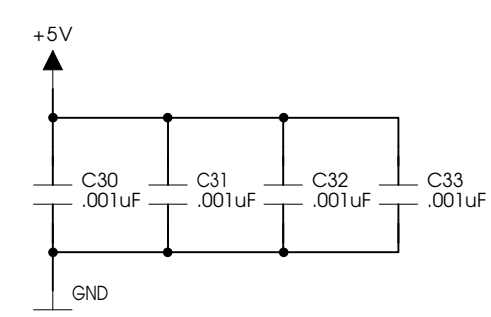
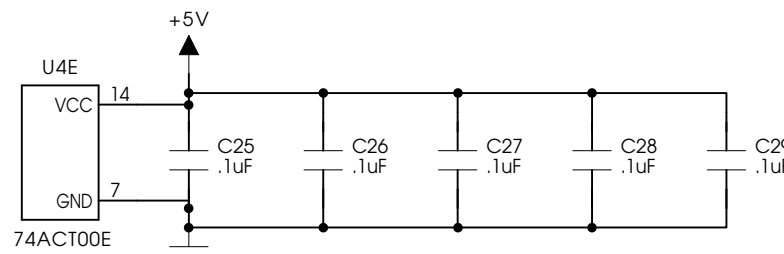
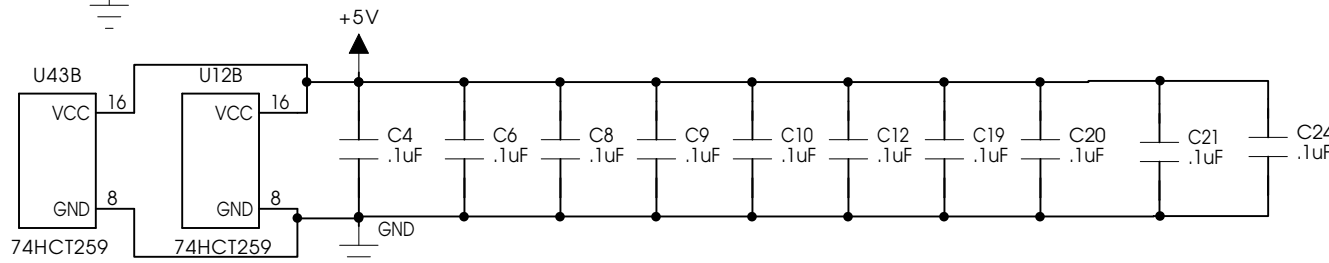
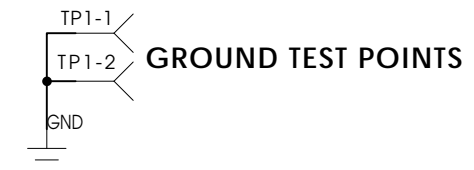
D

I/O CONNECTIONS

26-PIN DUAL ROW MALE HEADER CONNECTING TO ASSEMBLY 024004 CONNECTOR J5 THROUGH 26-LINE FEMALE-FEMALE RIBBON CABLE



CONNECTING TO ASSEMBLY 024007 J4 THROUGH 10-LINE FEMALE-FEMALE RIBBON CABLE



B

B

A

A

COMPANY:		SYMETRIX INC.	
		14926 35th Ave. W. Lynnwood, WA 98037	
TITLE:		601 DIGITAL BOARD	REV: D2
DRAWING NO:		024005	SHEET: 4 OF 4

DRAWN: C.H. / A.R.G.	DATED: 12/03/92
RELEASED:	DATED: