

6

5

4

3

2

1

REVISION RECORD		
LTR	REVISIONS DONE OR ECO NUMBER:	DATE:
A	1st Production	2/9/93
B	ECN# 601-2 and 601-5	6/1/93
B.0.1	Chg C16 - C19 to axial ceramic	3/21/95
B2	Corrected LED display markings.	3/24/95

D

C

B

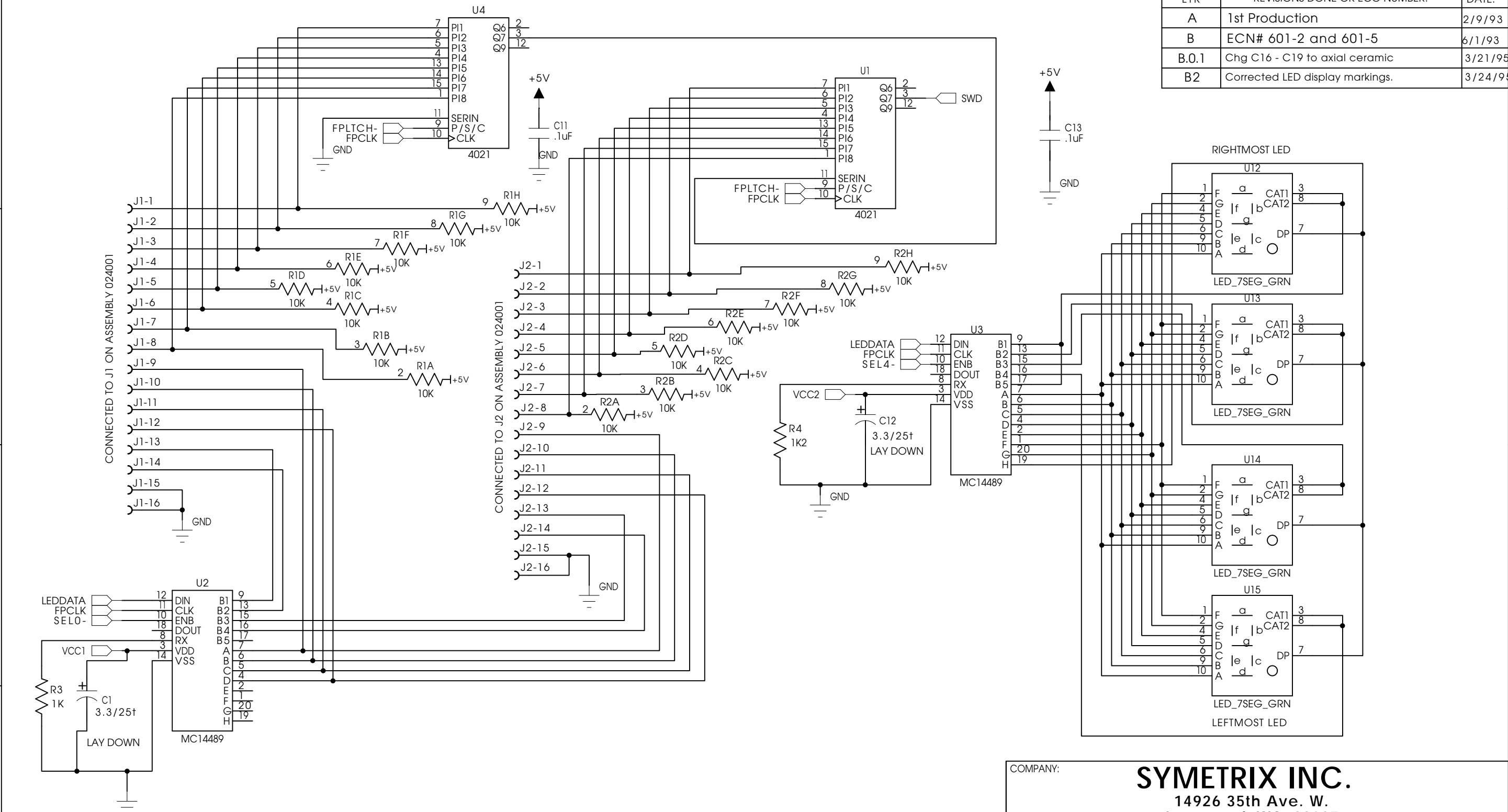
A

D

C

B

A



COMPANY: **SYMETRIX INC.**
 14926 35th Ave. W.
 Lynnwood, WA 98037

DRAWN: CH / ARG	DATED: 11/11/92	TITLE: FRONT PANEL INTERFACE	REV: B2
RELEASED:	DATED:	DRAWING NO: 024006	SHEET: 1 OF 3

6

5

4

3

2

1

D

C

B

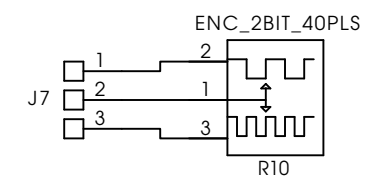
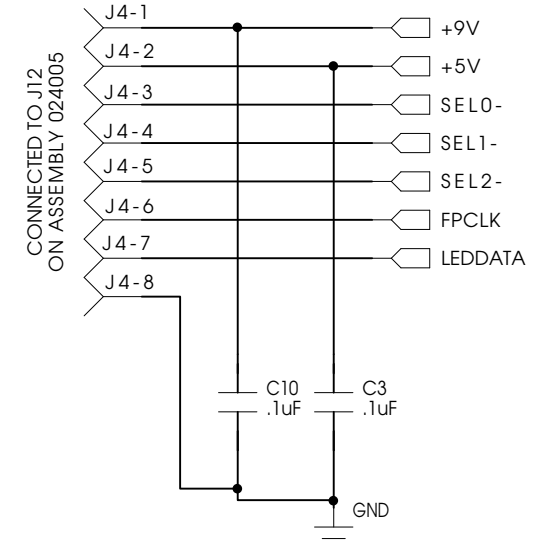
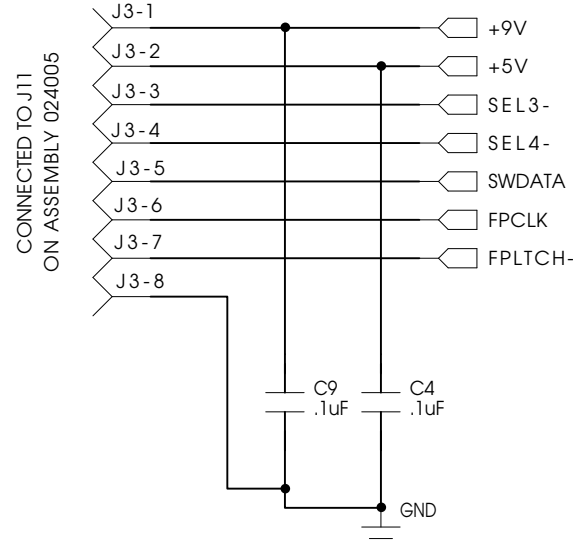
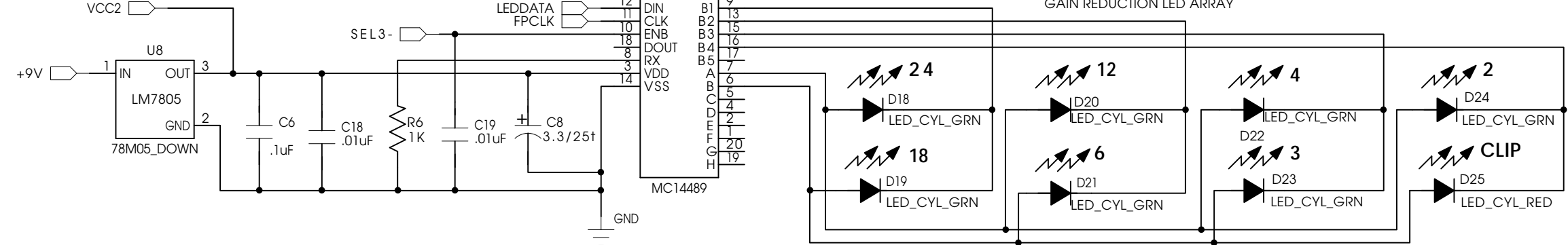
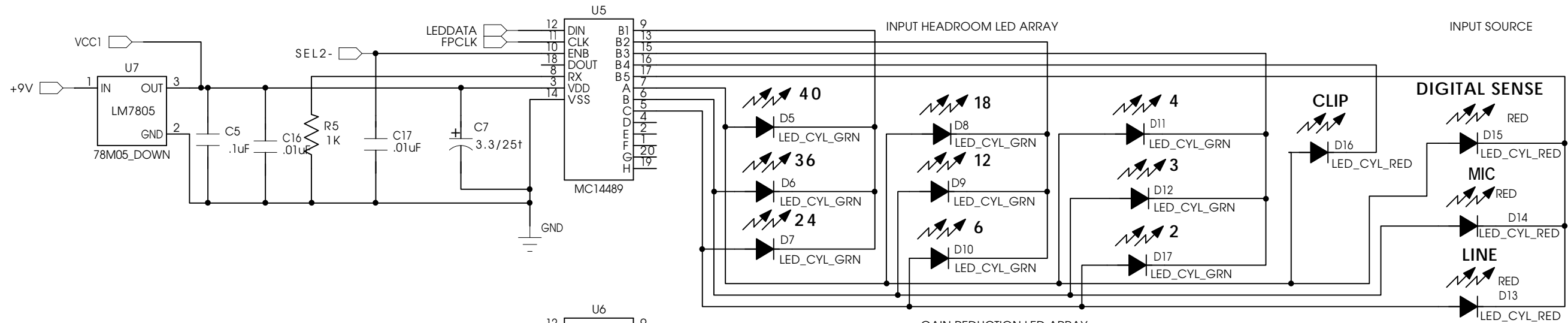
A

D

C

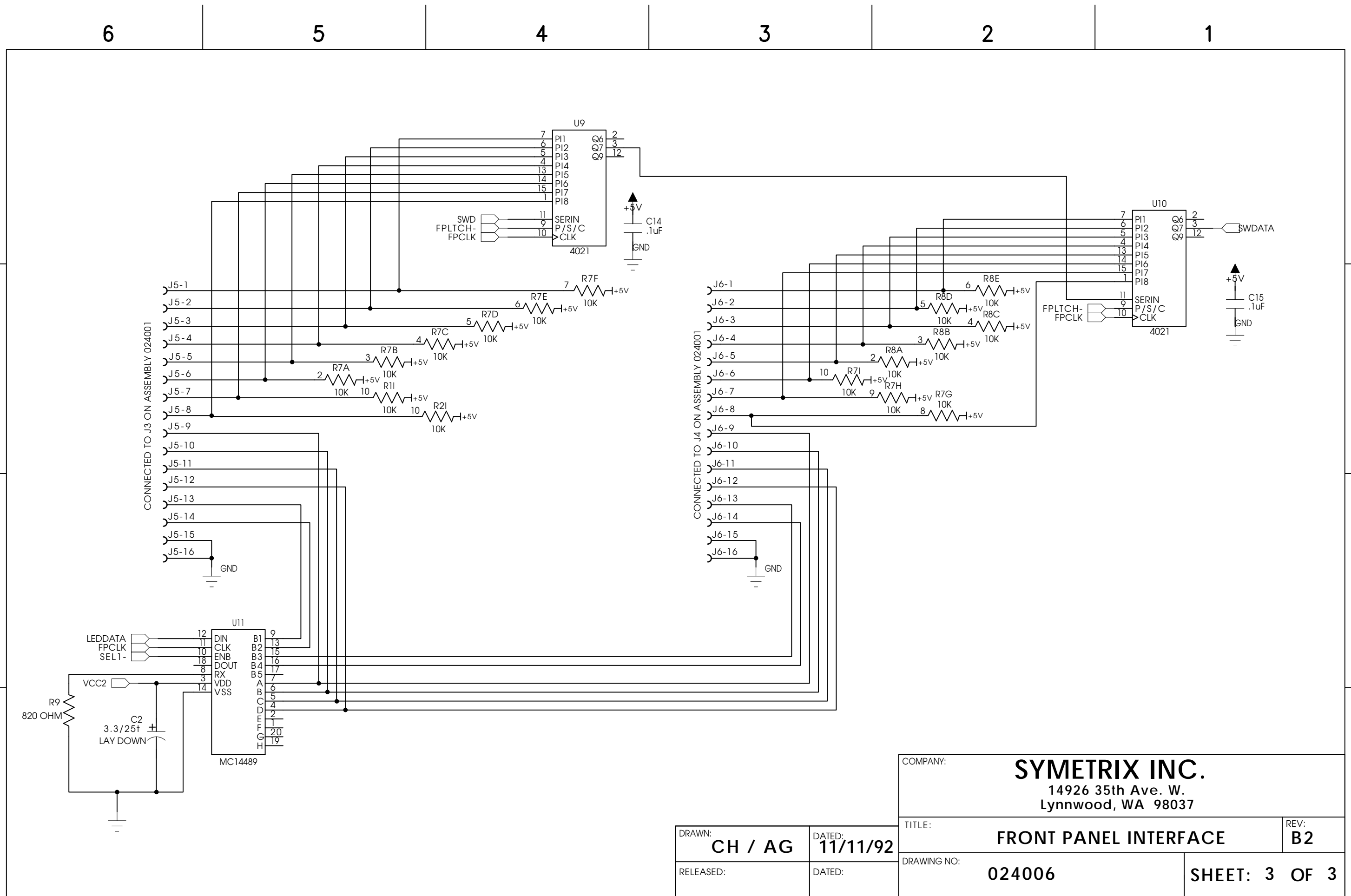
B

A



COMPANY:		SYMETRIX INC.	
		14926 35th Ave. W. Lynnwood, WA 98037	
DRAWN:		TITLE:	
CH / AG		FRONT PANEL INTERFACE	
DATED:		REV:	
11/11/92		B2	
RELEASED:		DRAWING NO:	
		024006	
DATED:		SHEET: 2 OF 3	

DRAWN:	DATED:
CH / AG	11/11/92
RELEASED:	DATED:



COMPANY:		SYMETRIX INC.	
		14926 35th Ave. W. Lynnwood, WA 98037	
DRAWN:	CH / AG	DATED:	11/11/92
RELEASED:		DRAWING NO:	024006
		TITLE:	FRONT PANEL INTERFACE
		REV:	B2
		DRAWING NO:	024006
		SHEET:	3 OF 3