

6

5

4

3

2

1

REVISION RECORD		
LTR	REVISIONS DONE OR ECO NUMBER:	DATE:
<b>A</b>	1ST PRODUCTION	2/9/93
<b>A.0</b>	ADDED IEC CHASSIS CONN. & VOLTAGES	3/5/93
<b>A.2</b>	Changed z1 from 22V to 43V zener.	7/6/93

D

D

C

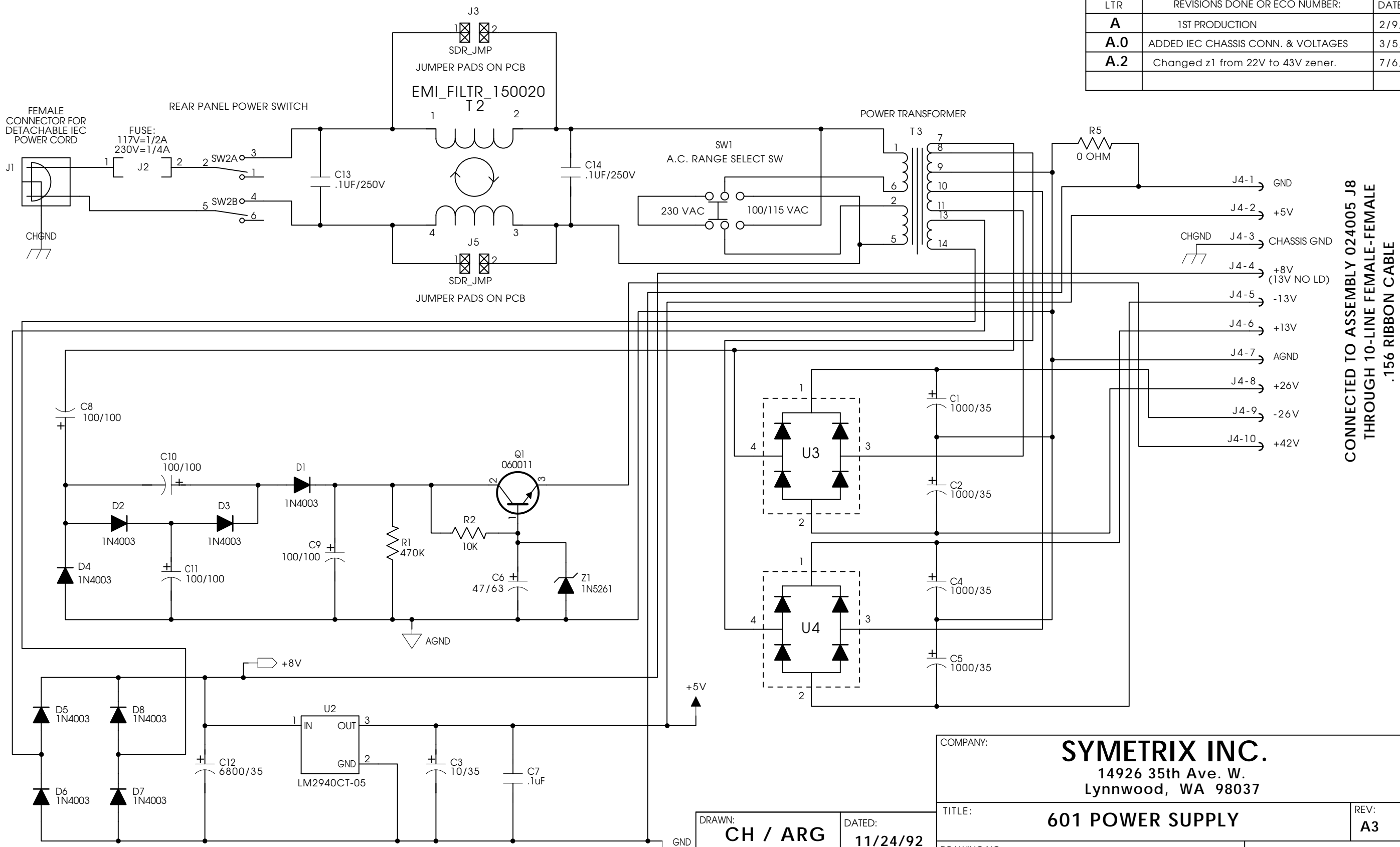
C

B

B

A

A



CONNECTED TO ASSEMBLY 024005 J8  
 THROUGH 10-LINE FEMALE-FEMALE  
 .156 RIBBON CABLE

COMPANY: **SYMETRIX INC.**  
 14926 35th Ave. W.  
 Lynnwood, WA 98037

TITLE: **601 POWER SUPPLY**      REV: **A3**

DRAWING NO: **024007**      SHEET: **1 OF 1**

DRAWN: <b>CH / ARG</b>	DATED: <b>11/24/92</b>
RELEASED:	DATED: