

6

5

4

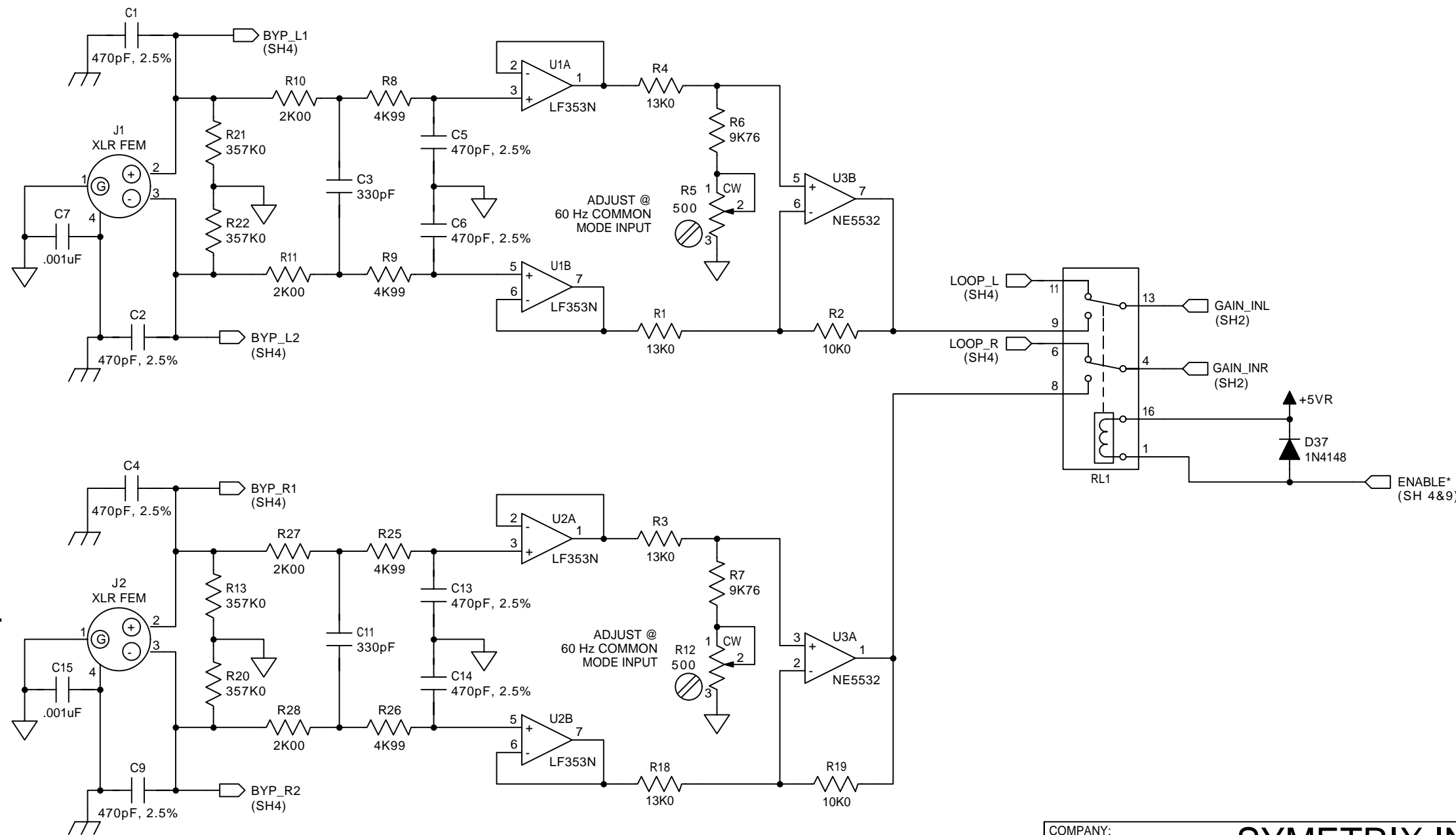
3

2

1

REVISION RECORD		
LTR	REVISIONS DONE OR ECO NUMBER:	DATE:
A.0	Released to production.	8/30/95
A.1	Swapped labels for DUMP & COUGH LEDs on page 9.	2/1/96
A.2	Chg'd 5% resistors to 1% (except R40). Chg'd 47uF/50V to 63V capacitors.	04/13/96
A.3	Added LEFT & RIGHT notation to XLR's	04/24/97

RIGHT



LEFT

NOTE: LEFT & RIGHT match sheet metal silk screen.

COMPANY:		SYMETRIX INC.	
		14926 35th Avenue West Lynnwood, WA 98037-2303 USA	
TITLE:		BROADCAST DELAY ANALOG INPUTS	REV: A.3
DRAWING NO:		024610	SHEET: 1 OF 9

DRAWN:	R_B & C_H	DATED:	2/15/95
RELEASED:		DATED:	

D

C

B

A

D

C

B

A

6

5

4

3

2

1

D

D

C

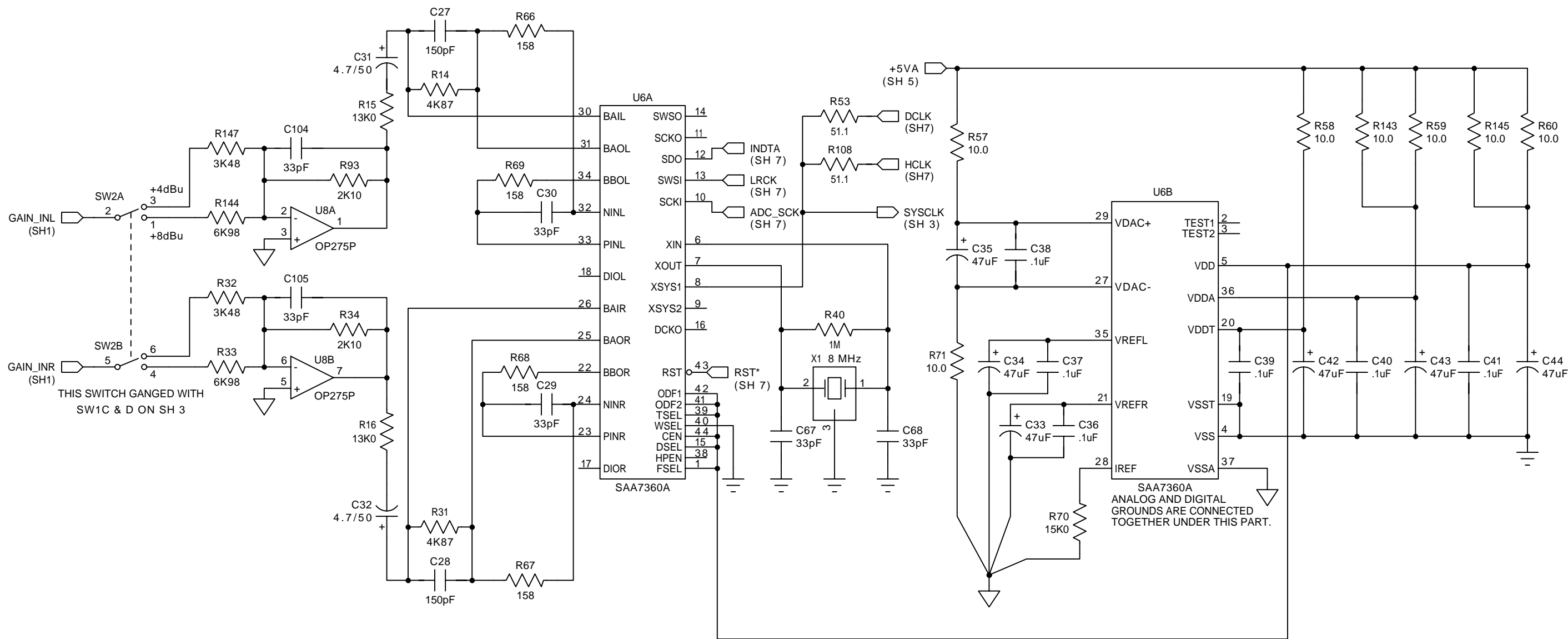
C

B

B

A

A



COMPANY:		SYMETRIX INC.	
		14926 35th Avenue West Lynnwood, WA 98037-2303 USA	
TITLE:		A/D CONVERTER	REV: A.3
DRAWING NO:		024610	SHEET: 2 OF 9

DRAWN:	R_B & C_H	DATED:	2/15/95
RELEASED:		DATED:	

6

5

4

3

2

1

D

D

C

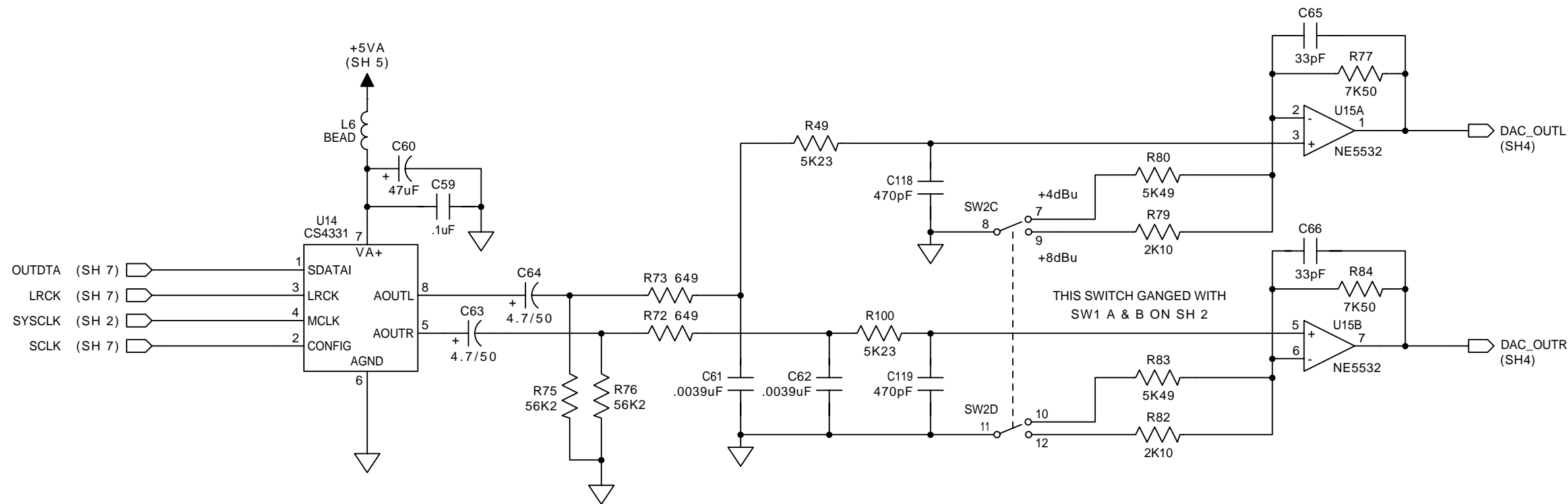
C

B

B

A

A



COMPANY:		SYMETRIX INC.	
		14926 35th Avenue West Lynnwood, WA 98037-2303 USA	
DRAWN: R_B & C_H		DATED: 2/15/95	TITLE: DIGITAL TO ANALOG CONVERSION
RELEASED:		DATED:	REV: A.3
		DRAWING NO: 024610	SHEET: 3 OF 9

6

5

4

3

2

1

D

C

B

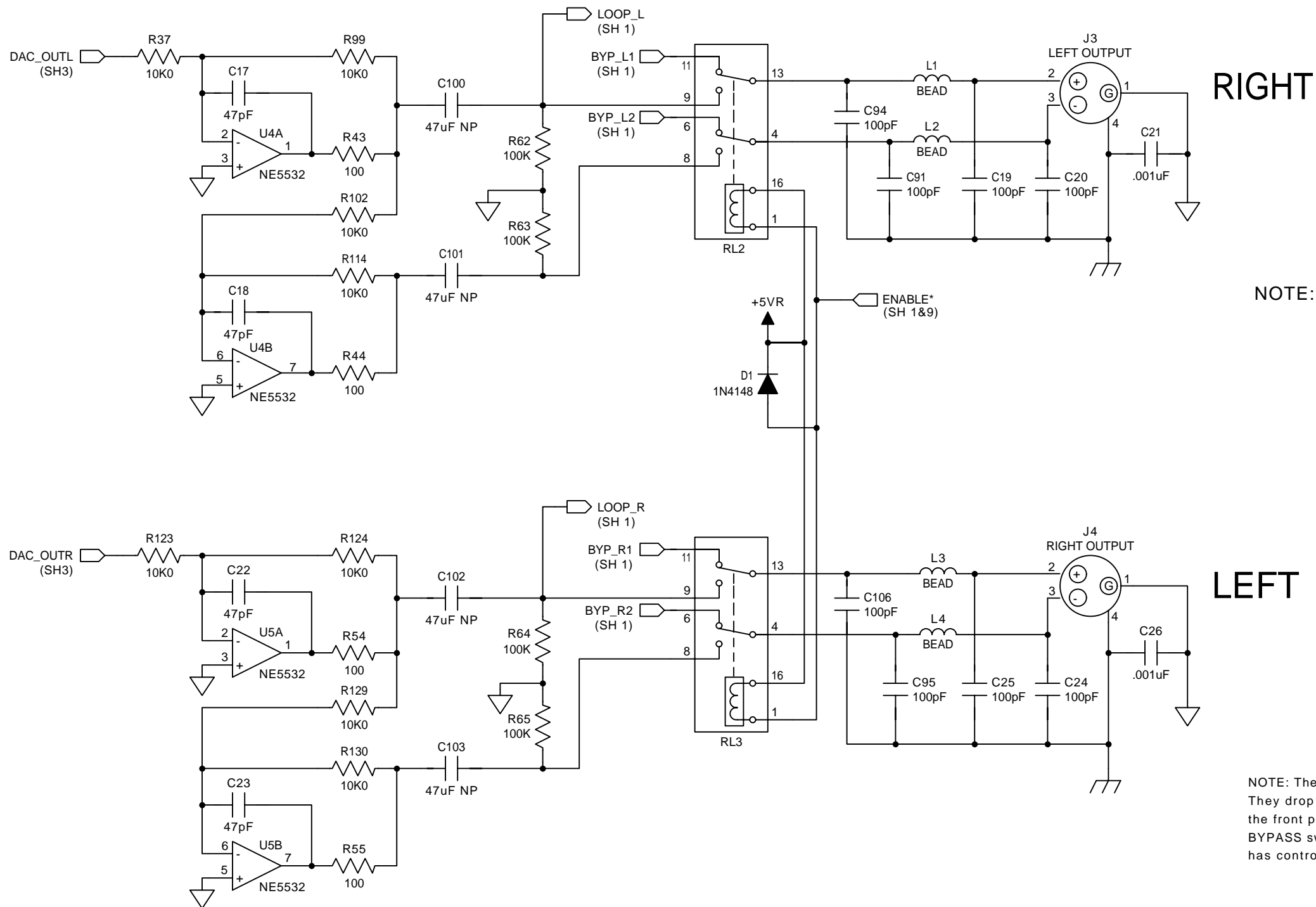
A

D

C

B

A



RIGHT

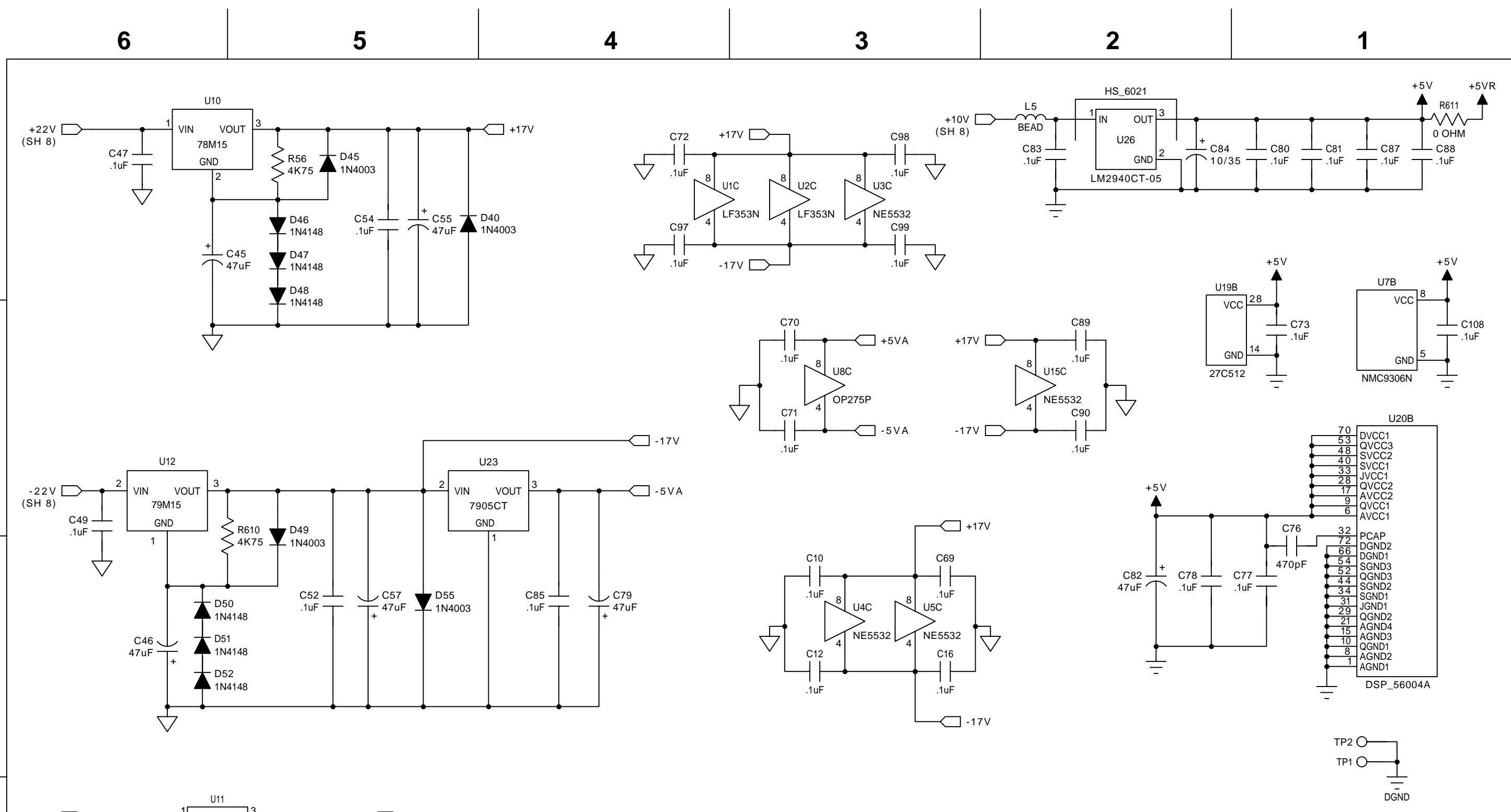
LEFT

NOTE: LEFT & RIGHT match sheet metal silk screen.

NOTE: The BYPASS relays & LOOP relay are normally picked. They drop out if either the power goes away, the front panel BYPASS switch is released, or the remote BYPASS switch is released if connected. The HC11 also has control of the relays.

COMPANY:		SYMETRIX INC.	
		14926 35th Avenue West Lynnwood, WA 98037-2303 USA	
TITLE:		ANALOG OUTPUTS	REV: A.3
DRAWING NO:		024610	SHEET: 4 OF 9

DRAWN:	R_B & C_H	DATED:	2/15/95
RELEASED:		DATED:	



D

C

B

A

D

C

B

A

COMPANY:		SYMETRIX INC.	
		14926 35th Avenue West Lynnwood, WA 98037-2303 USA	
TITLE:		POWER REGULATION	REV: A.3
DRAWING NO:		024610	SHEET: 5 OF 9

DRAWN:	R_B & C_H	DATED:	2/15/95
RELEASED:		DATED:	

6

5

4

3

2

1

D

D

C

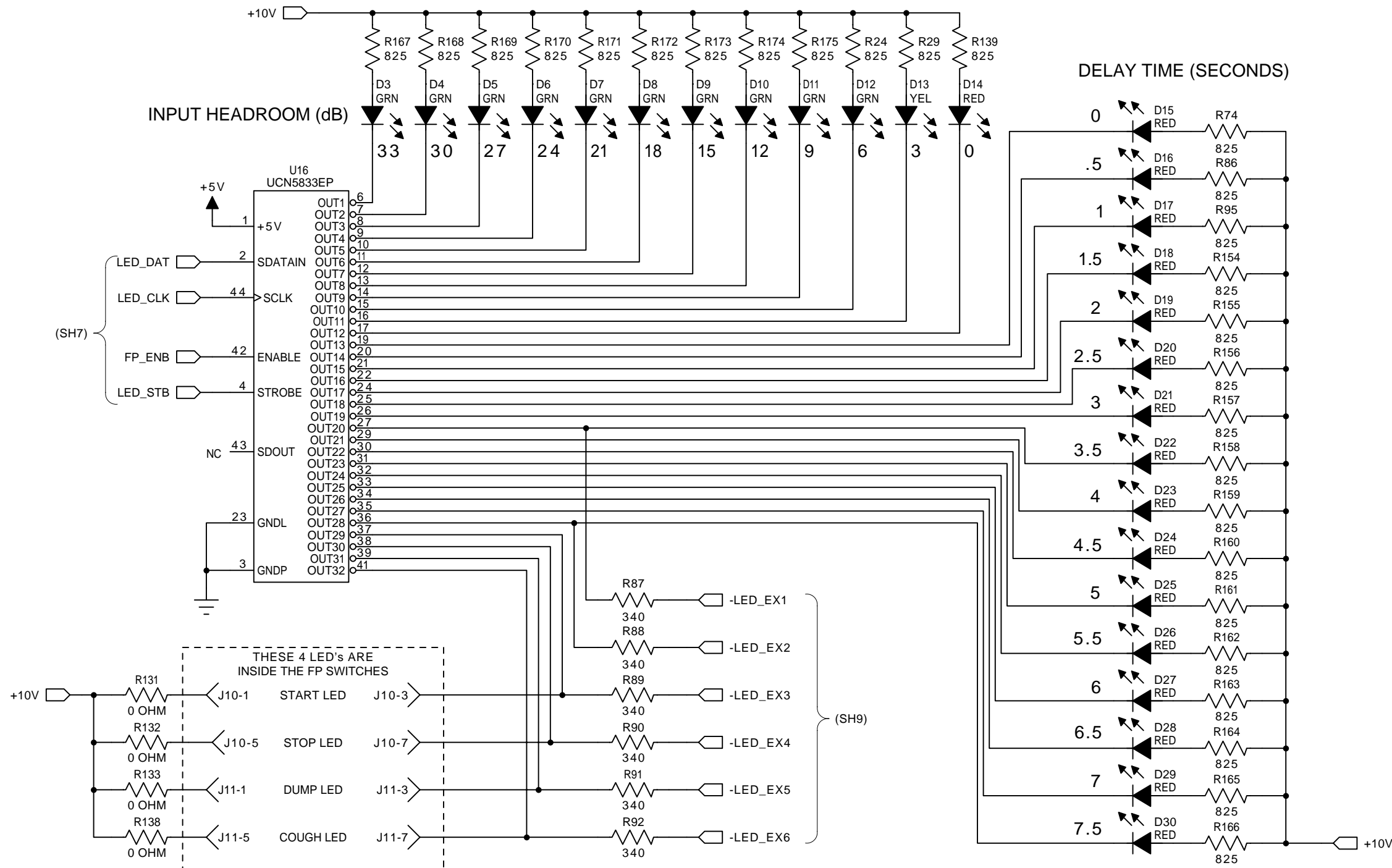
C

B

B

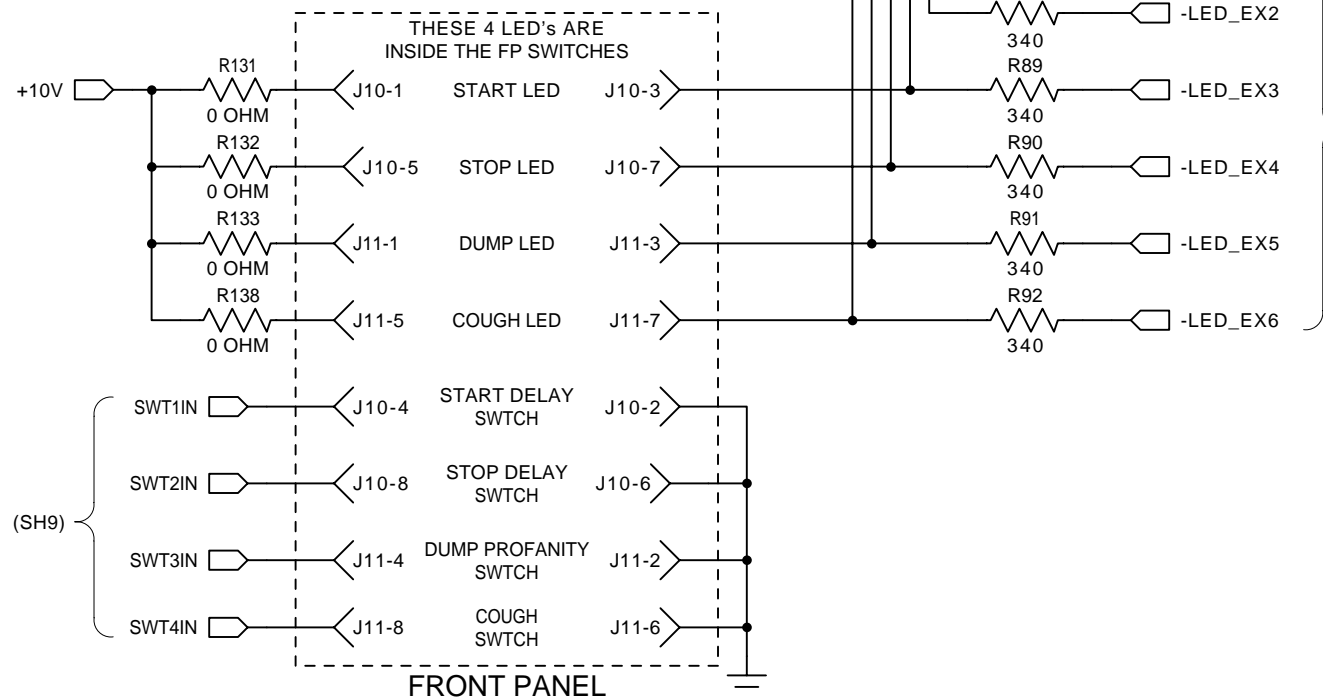
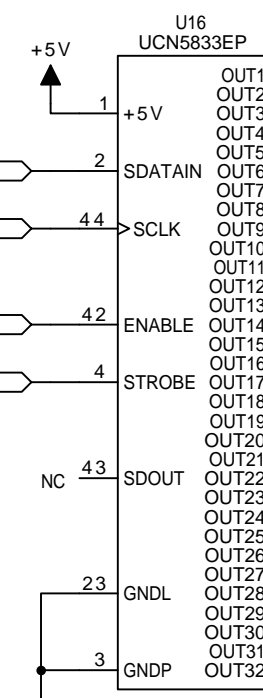
A

A



INPUT HEADROOM (dB)

DELAY TIME (SECONDS)



COMPANY:		SYMETRIX INC.	
		14926 35th Ave West Lynnwood, WA 98037-2303 USA	
TITLE:		LED DRIVERS	
DRAWING NO:		024610	
SHEET: 6 OF 9		REV: A.3	

DRAWN:	R_B & C_H	DATED:	2/15/95
RELEASED:		DATED:	

6

5

4

3

2

1

D

D

C

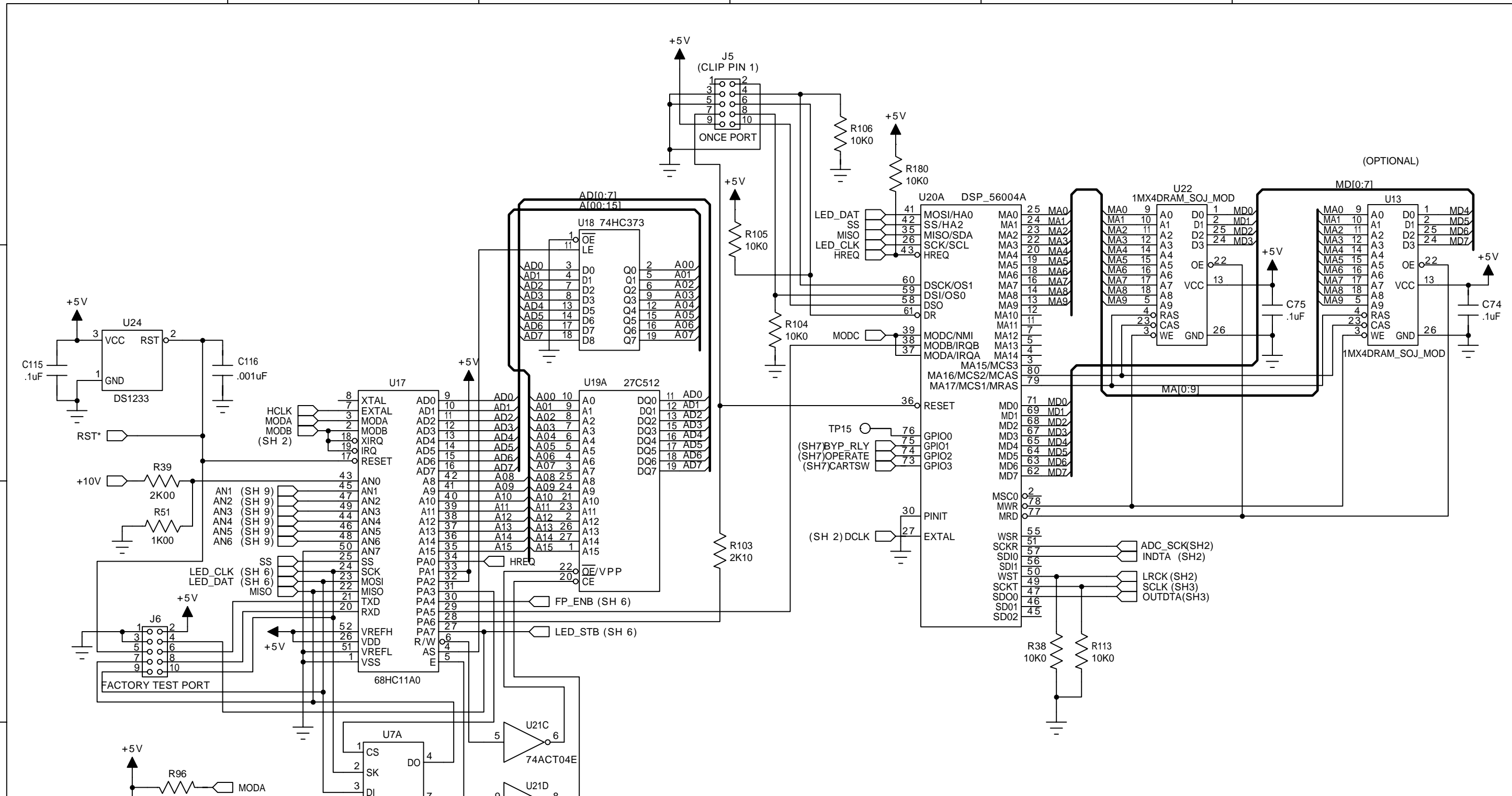
C

B

B

A

A



COMPANY:		SYMETRIX INC.	
		14926 35th Avenue West Lynnwood, WA 98037-2303 USA	
TITLE:		HOST AND DSP KERNEL	REV: A.3
DRAWING NO:		024610	SHEET: 7 OF 9

DRAWN:	R_B & C_H	DATED:	2/15/95
RELEASED:		DATED:	

6

5

4

3

2

1

D

D

C

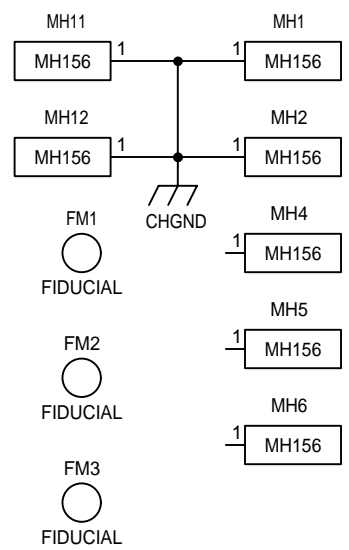
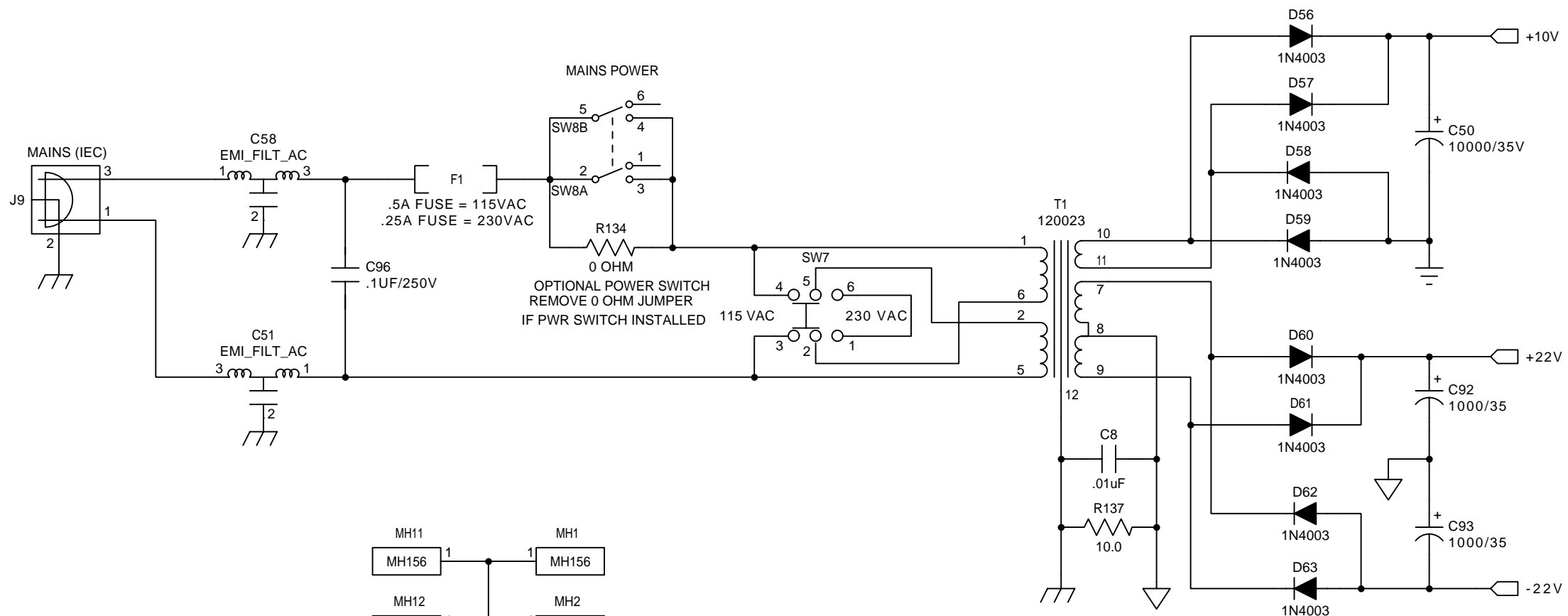
C

B

B

A

A



COMPANY:		SYMETRIX INC.	
		14926 35th Avenue West Lynnwood, WA 98037-2303 USA	
TITLE:		AC POWER	
		REV: A.3	
DRAWING NO:		024610	
SHEET:		8 OF 9	

DRAWN:	R_B & C_H	DATED:	2/15/95
RELEASED:		DATED:	

6

5

4

3

2

1

D

D

C

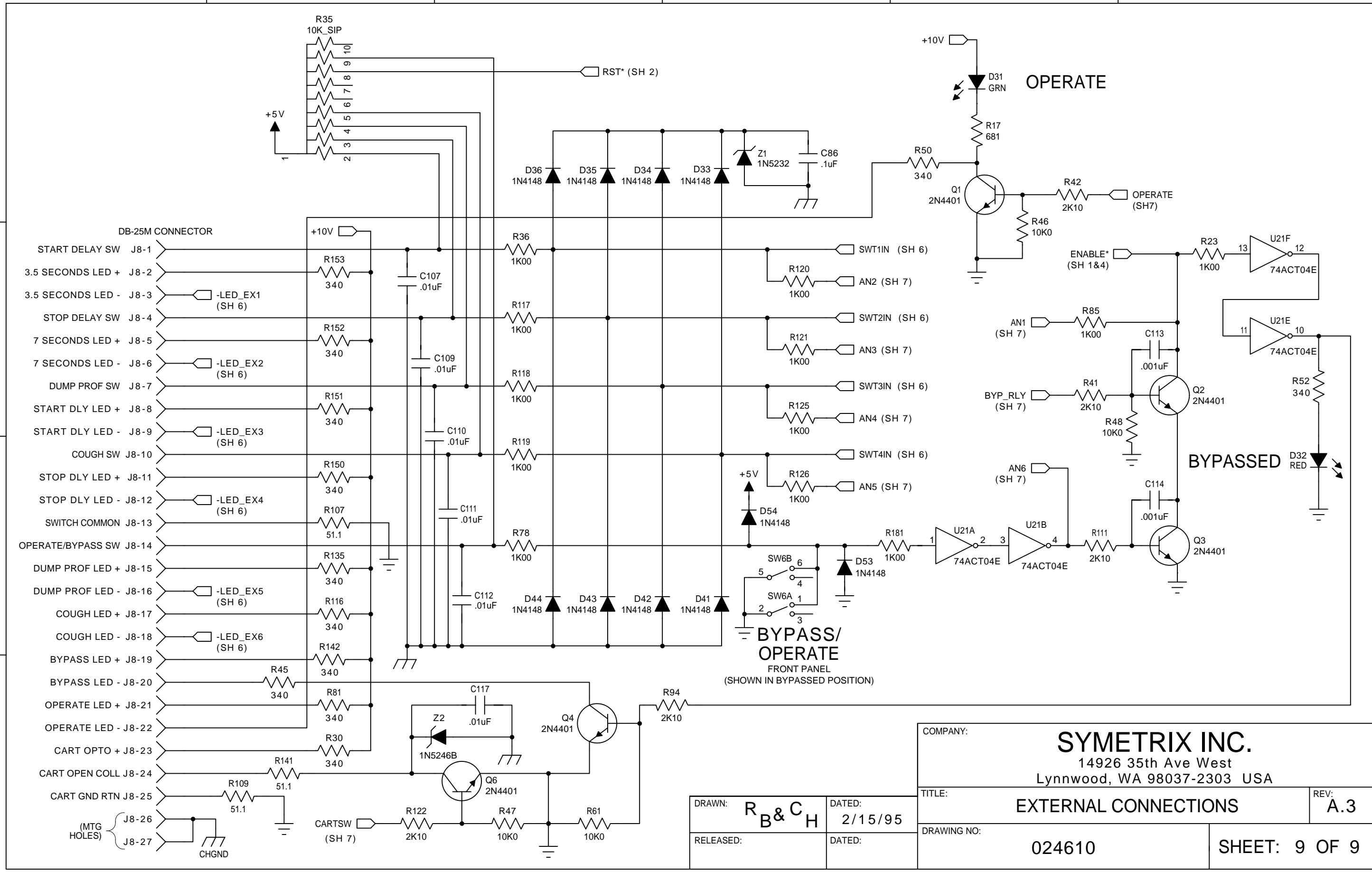
C

B

B

A

A



COMPANY:		SYMETRIX INC.	
		14926 35th Ave West Lynnwood, WA 98037-2303 USA	
TITLE:		EXTERNAL CONNECTIONS	REV: A.3
DRAWING NO:		024610	SHEET: 9 OF 9

DRAWN:	R B & C H	DATED:	2/15/95
RELEASED:		DATED:	