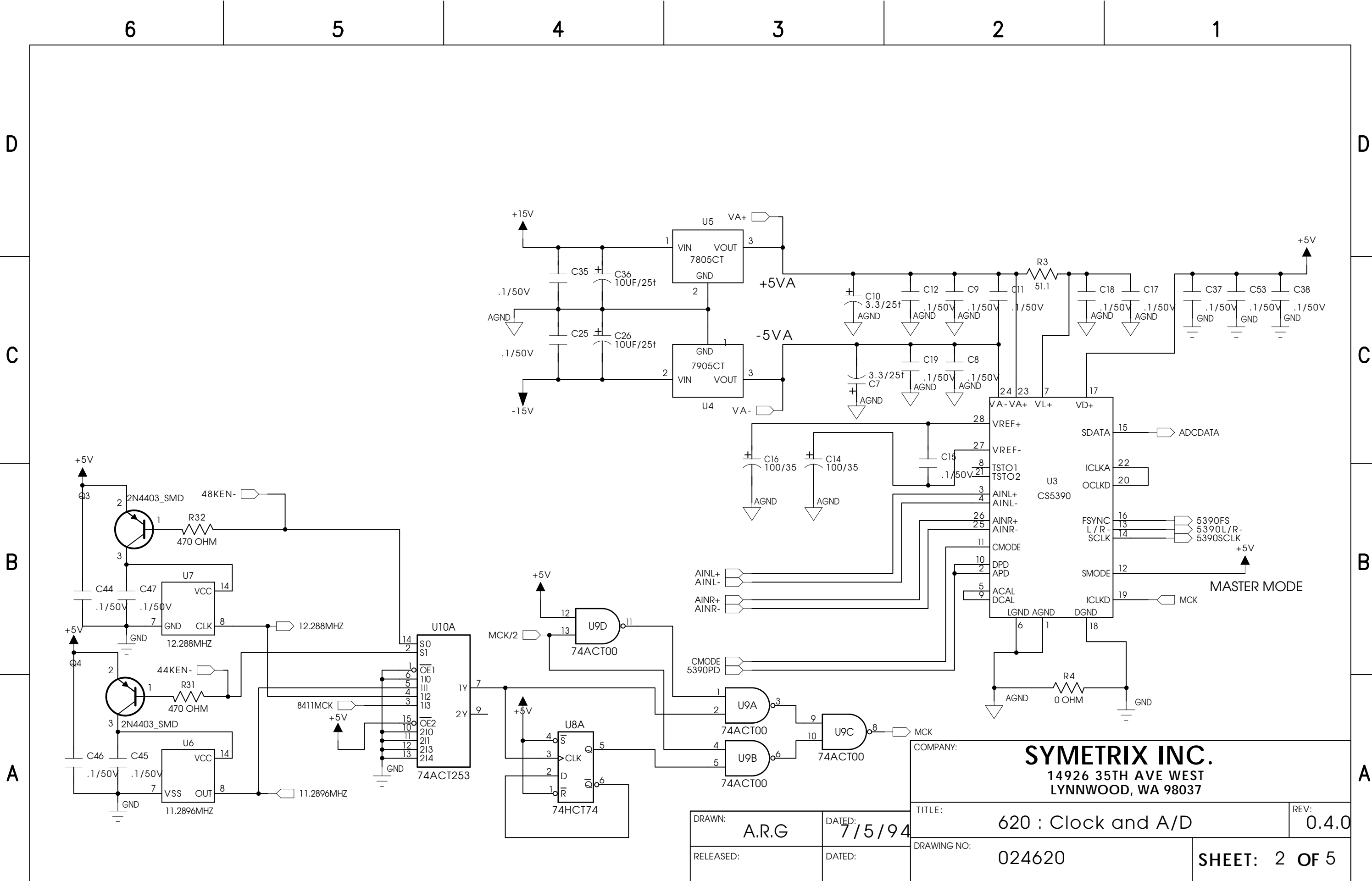
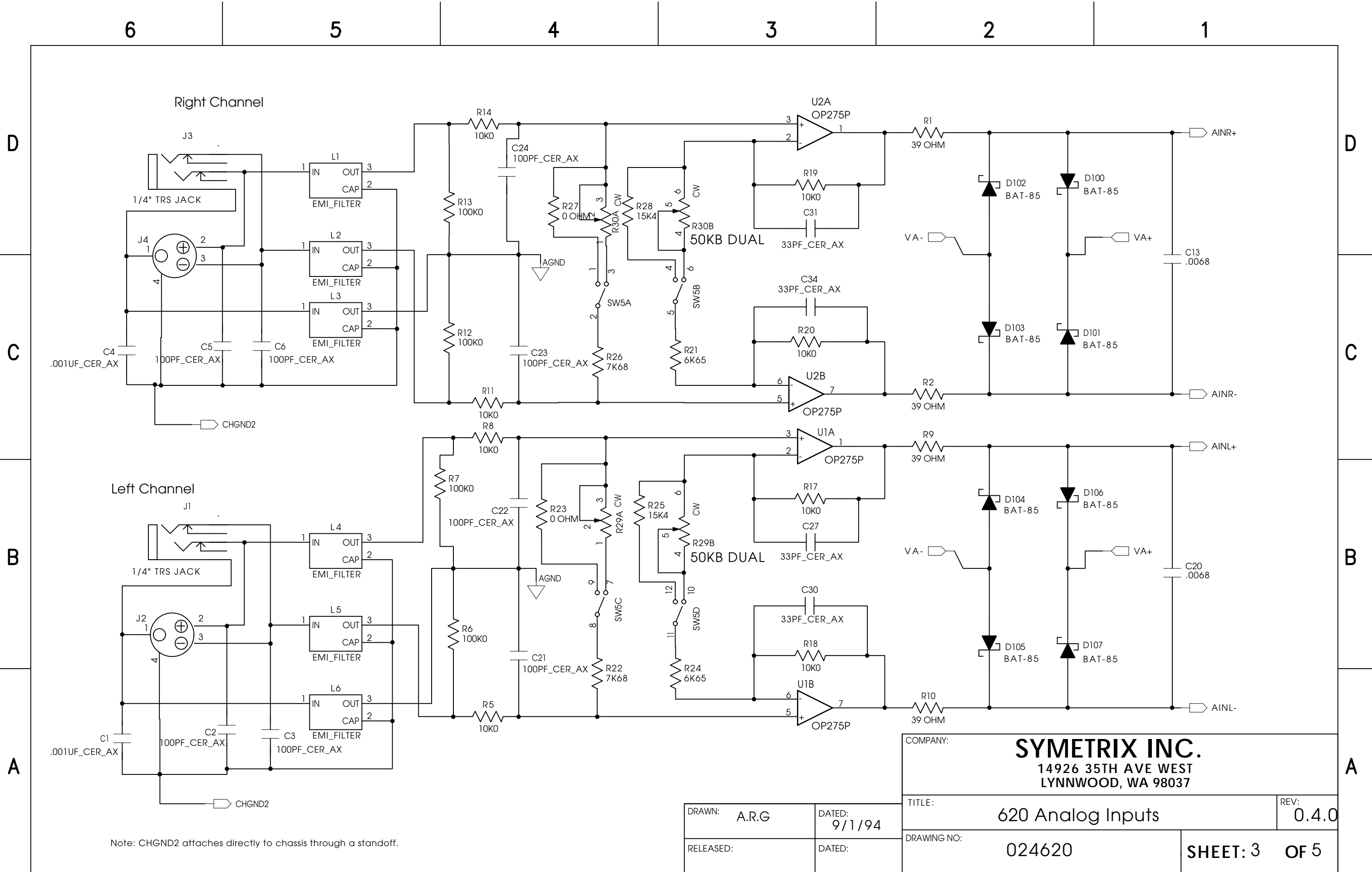


REVISION RECORD		
LTR	REVISIONS DONE OR ECO NUMBER:	DATE:
B.0	CHANGED G2A- OF U16 FROM X/Y- TO BN- C7 WAS BACKWARDS	6/28/95

COMPANY: **SYMETRIX INC.**
 14926 35TH AVE WEST
 LYNNWOOD, WA 98037

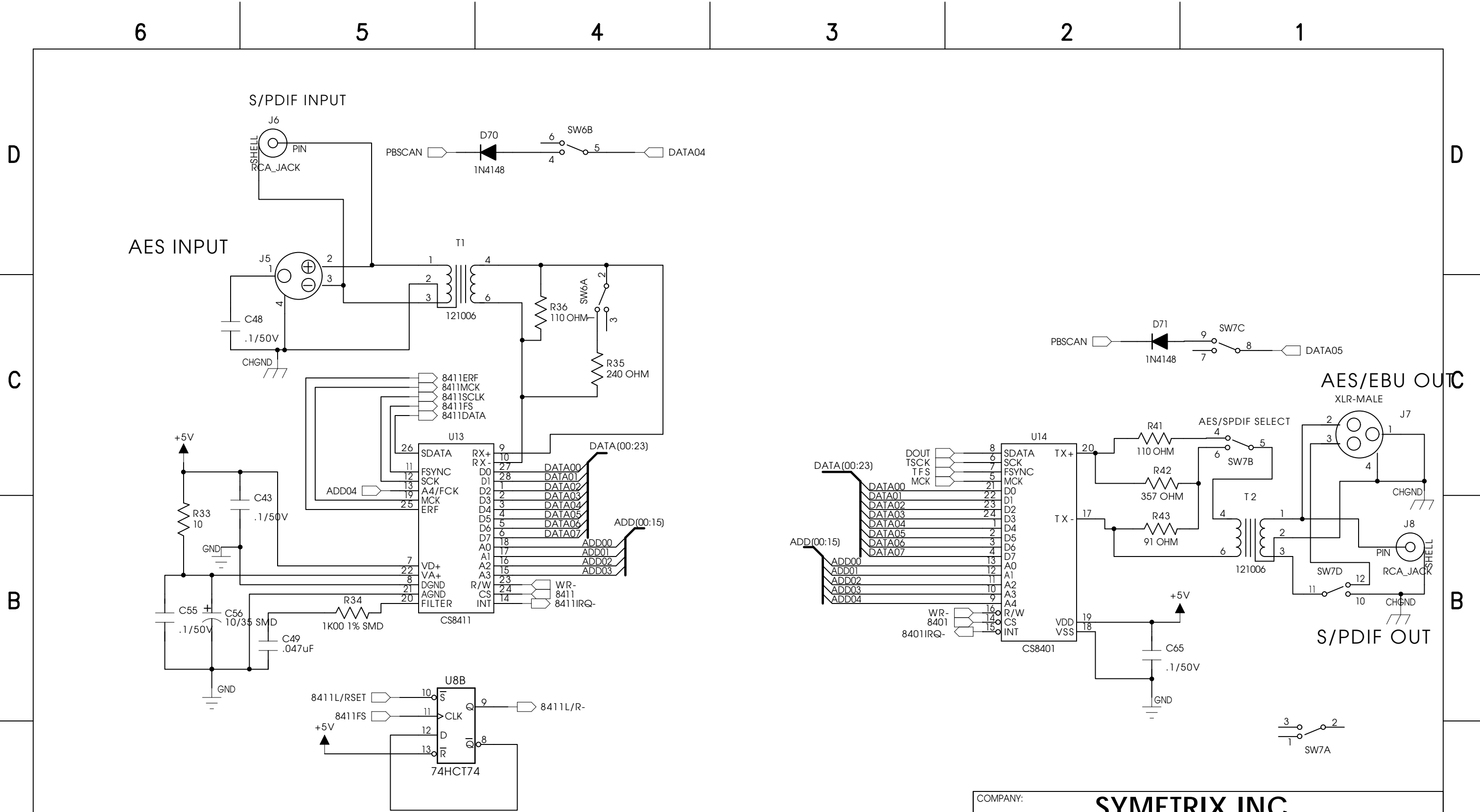
DRAWN: ARG	DATED: 7/5/95	TITLE: 620 : DSP	REV: 0.4.0
RELEASED:	DATED:	DRAWING NO: 024620	SHEET: 1 OF 5





COMPANY: **SYMETRIX INC.**
 14926 35TH AVE WEST
 LYNNWOOD, WA 98037

DRAWN: A.R.G	DATED: 9/1/94	TITLE: 620 Analog Inputs	REV: 0.4.0
RELEASED:	DATED:	DRAWING NO: 024620	SHEET: 3 OF 5

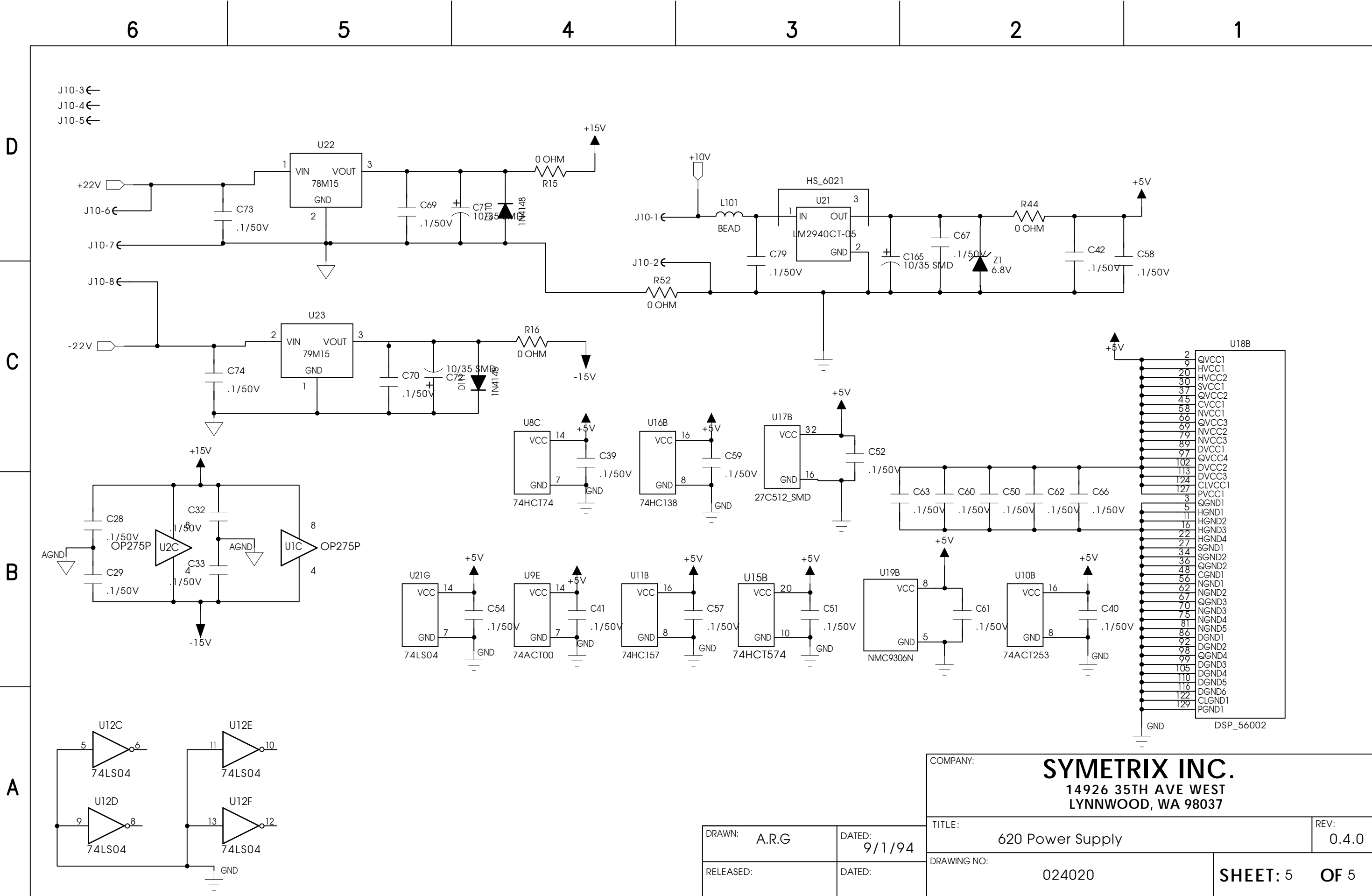


A

A

COMPANY: **SYMETRIX INC.**
 14926 35TH AVE WEST
 LYNNWOOD, WA 98037

DRAWN: ARG	DATED: 7/12/94	TITLE: 620 : Digital Inputs and Outputs	REV: 0.4.0
RELEASED:	DATED:	DRAWING NO: 024620	SHEET: 4 OF 5



COMPANY:		SYMETRIX INC.	
		14926 35TH AVE WEST LYNNWOOD, WA 98037	
DRAWN:	A.R.G	DATED:	9/1/94
RELEASED:		DRAWING NO:	024020
		TITLE:	620 Power Supply
		REV:	0.4.0
		DRAWING NO:	024020
		SHEET:	5 OF 5