

6

5

4

3

2

1

D

D

C

C

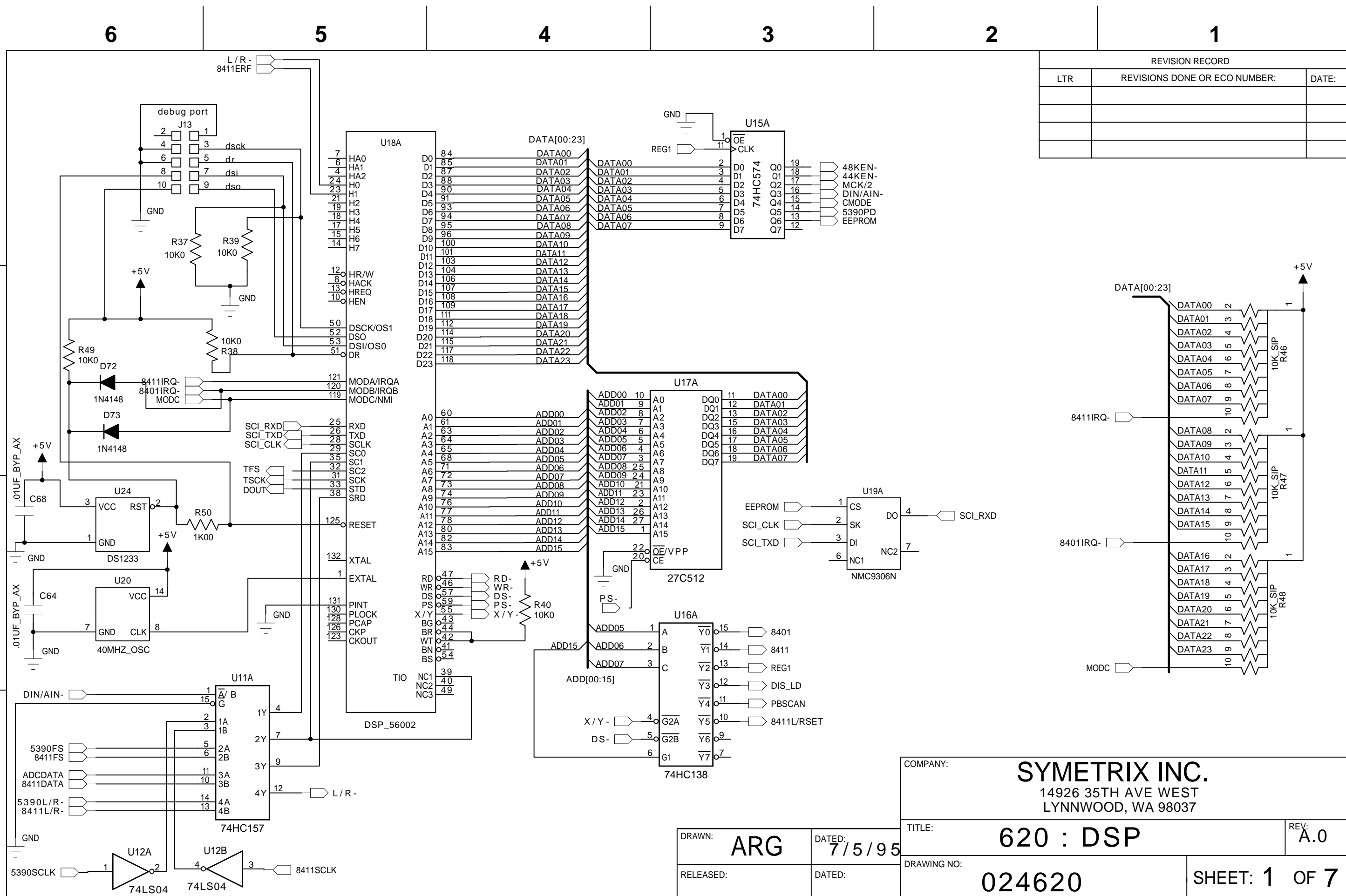
B

B

A

A

REVISION RECORD		
LTR	REVISIONS DONE OR ECO NUMBER:	DATE:



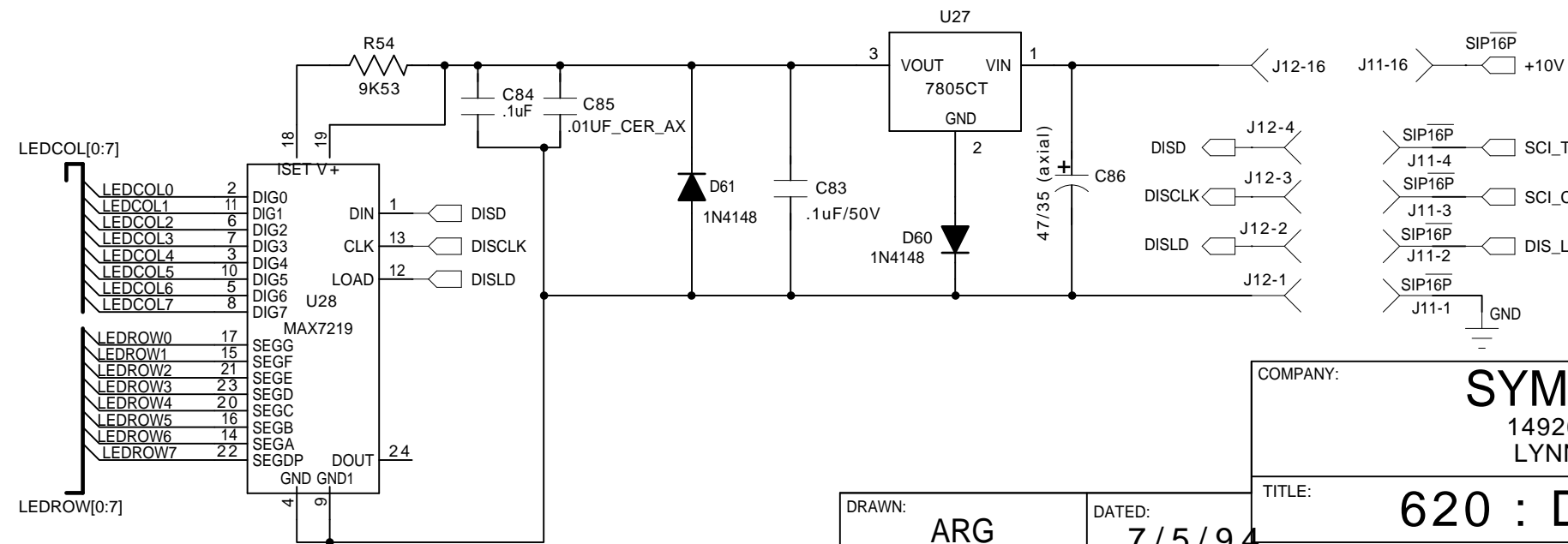
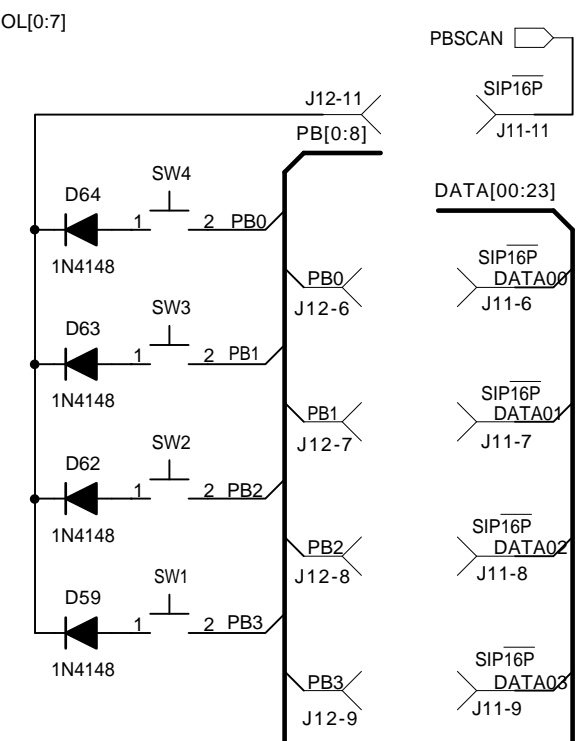
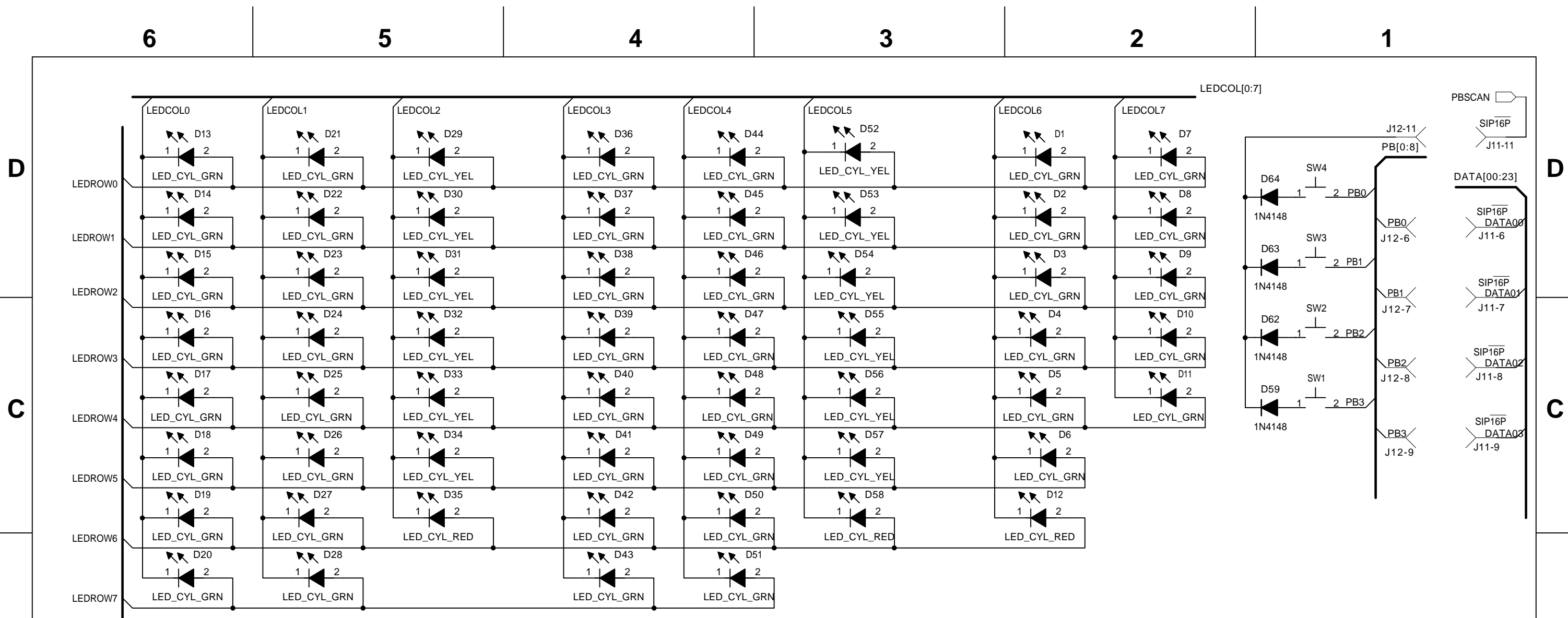
COMPANY: **SYMETRIX INC.**
 14926 35TH AVE WEST
 LYNNWOOD, WA 98037

TITLE: **620 : DSP** REV: **A.0**

DRAWING NO: **024620** SHEET: **1 OF 7**

DRAWN: **ARG** DATED: **7/5/95**

RELEASED: DATED:



COMPANY: **SYMETRIX INC.**
 14926 35TH AVE WEST
 LYNNWOOD, WA 98037

TITLE: **620 : Display**

REV: **A.0**

DRAWN: **ARG** DATED: **7/5/94**

RELEASED: DATED:

DRAWING NO: **024620** SHEET: **2 OF 7**

6

5

4

3

2

1

D

D

C

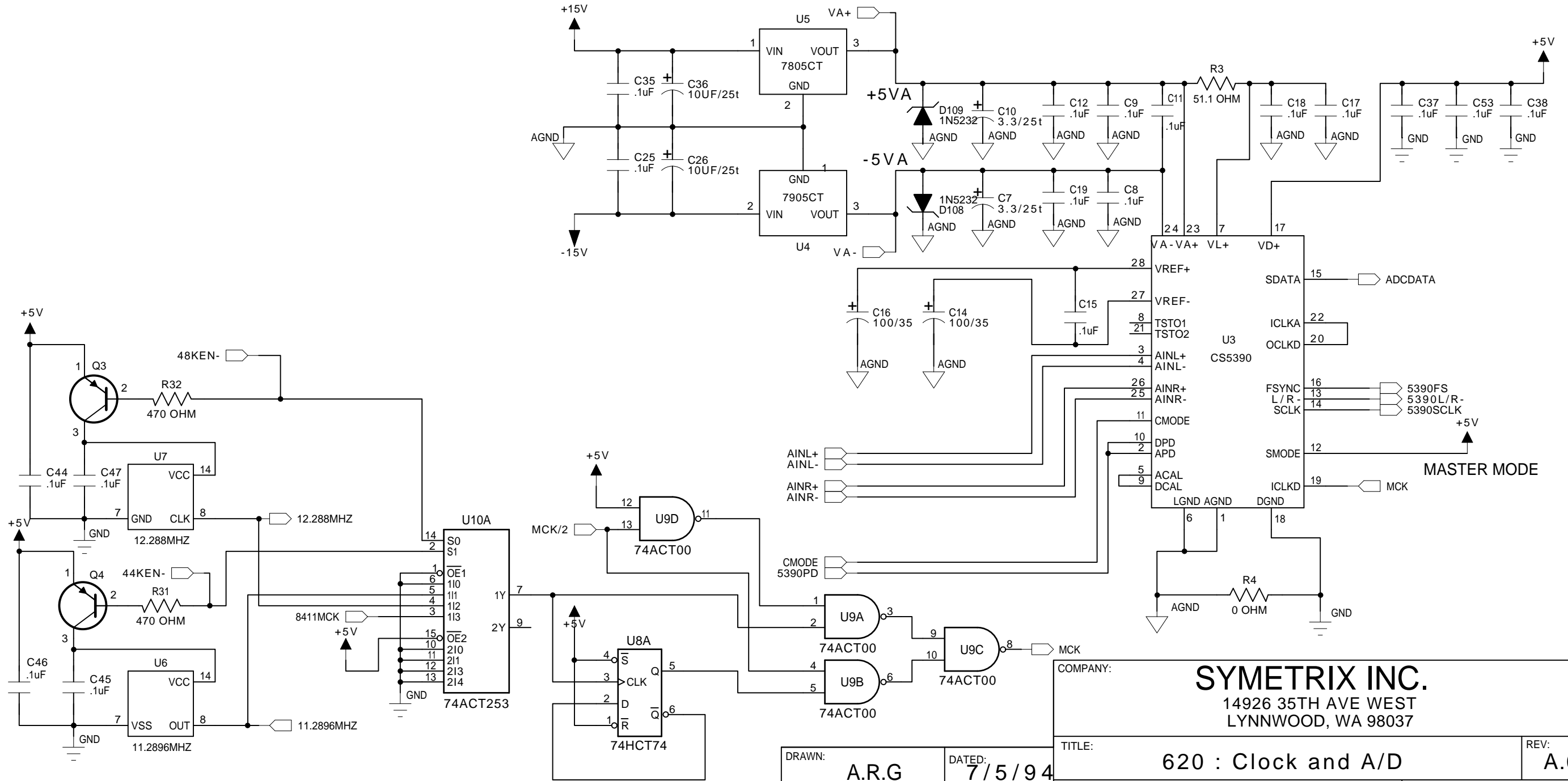
C

B

B

A

A



COMPANY: **SYMETRIX INC.**
 14926 35TH AVE WEST
 LYNNWOOD, WA 98037

DRAWN: A.R.G	DATED: 7/5/94	TITLE: 620 : Clock and A/D	REV: A.0
RELEASED:	DATED:	DRAWING NO: 024620	SHEET: 3 OF 7

6

5

4

3

2

1

D

D

C

C

B

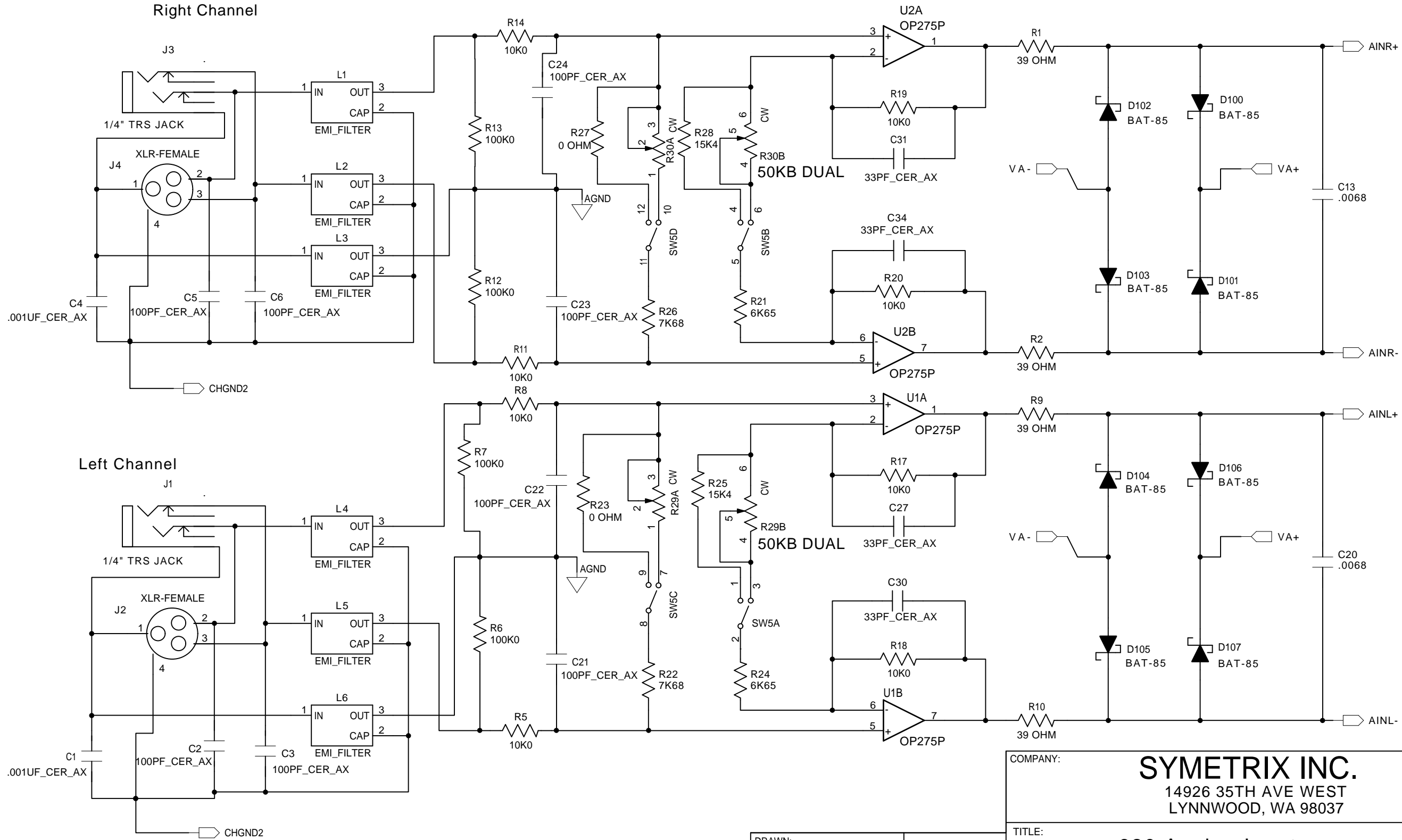
B

A

A

Right Channel

Left Channel



COMPANY:		SYMETRIX INC.	
		14926 35TH AVE WEST LYNNWOOD, WA 98037	
DRAWN:	A.R.G	DATED:	9/1/94
RELEASED:		DATED:	
TITLE:		620 Analog Inputs	
DRAWING NO:		024620	
		SHEET: 4	OF 7
		REV:	A.0

6

5

4

3

2

1

D

D

C

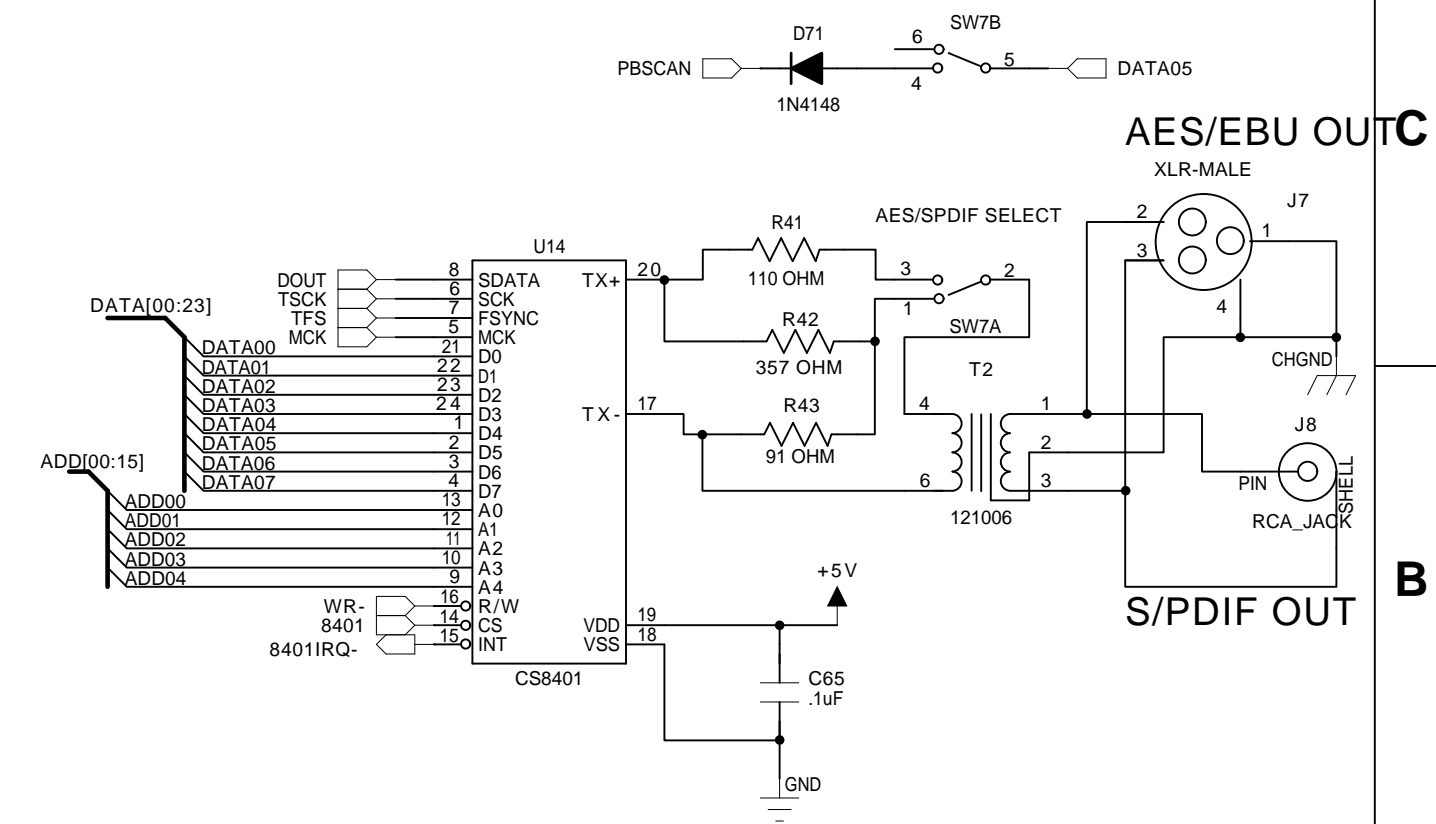
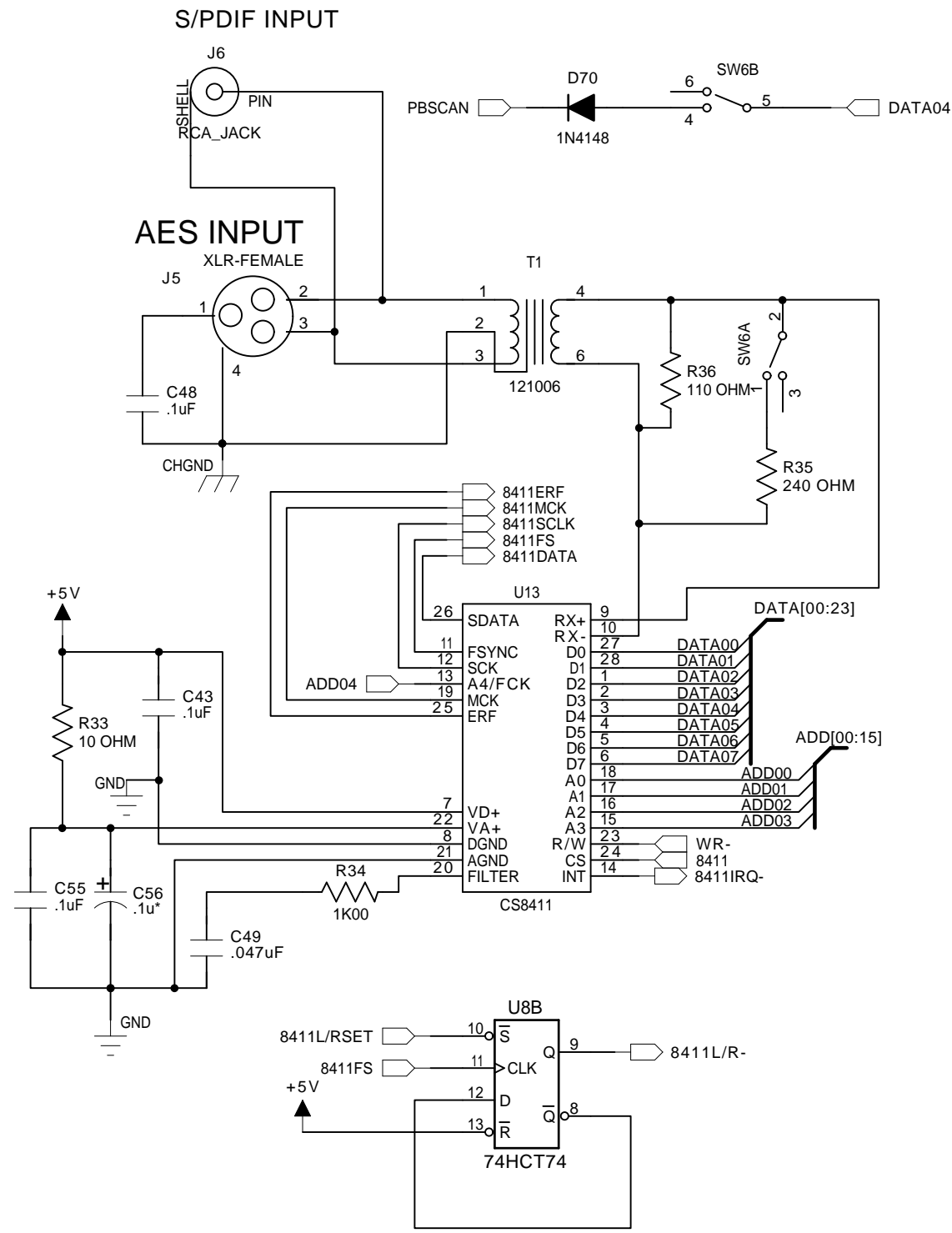
C

B

B

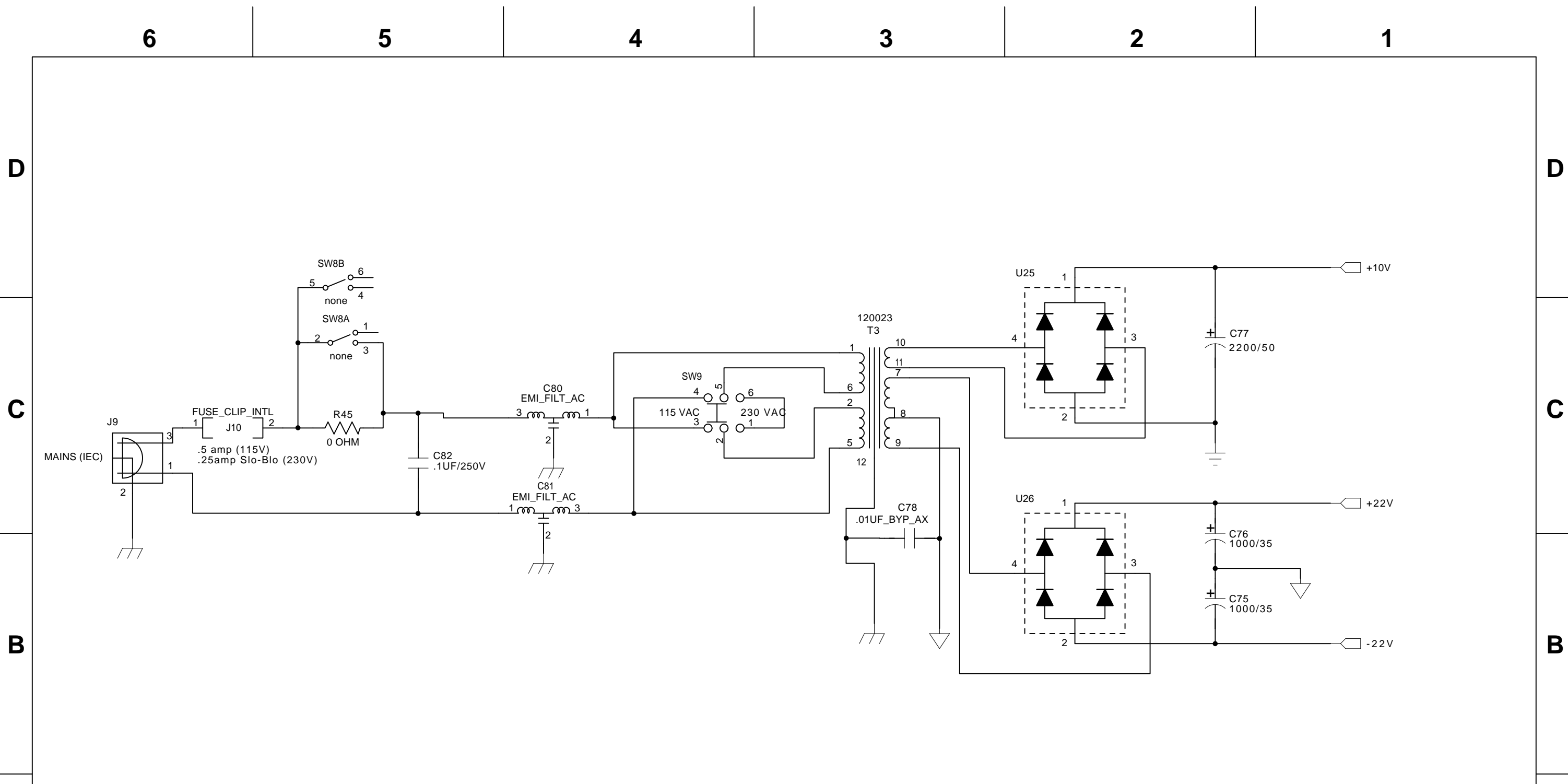
A

A



COMPANY: **SYMETRIX INC.**
 14926 35TH AVE WEST
 LYNNWOOD, WA 98037

DRAWN: ARG	DATED: 7/12/94	TITLE: 620 : Digital Inputs and Outputs	REV: A.0
RELEASED:	DATED:	DRAWING NO: 024620	SHEET: 5 OF 7

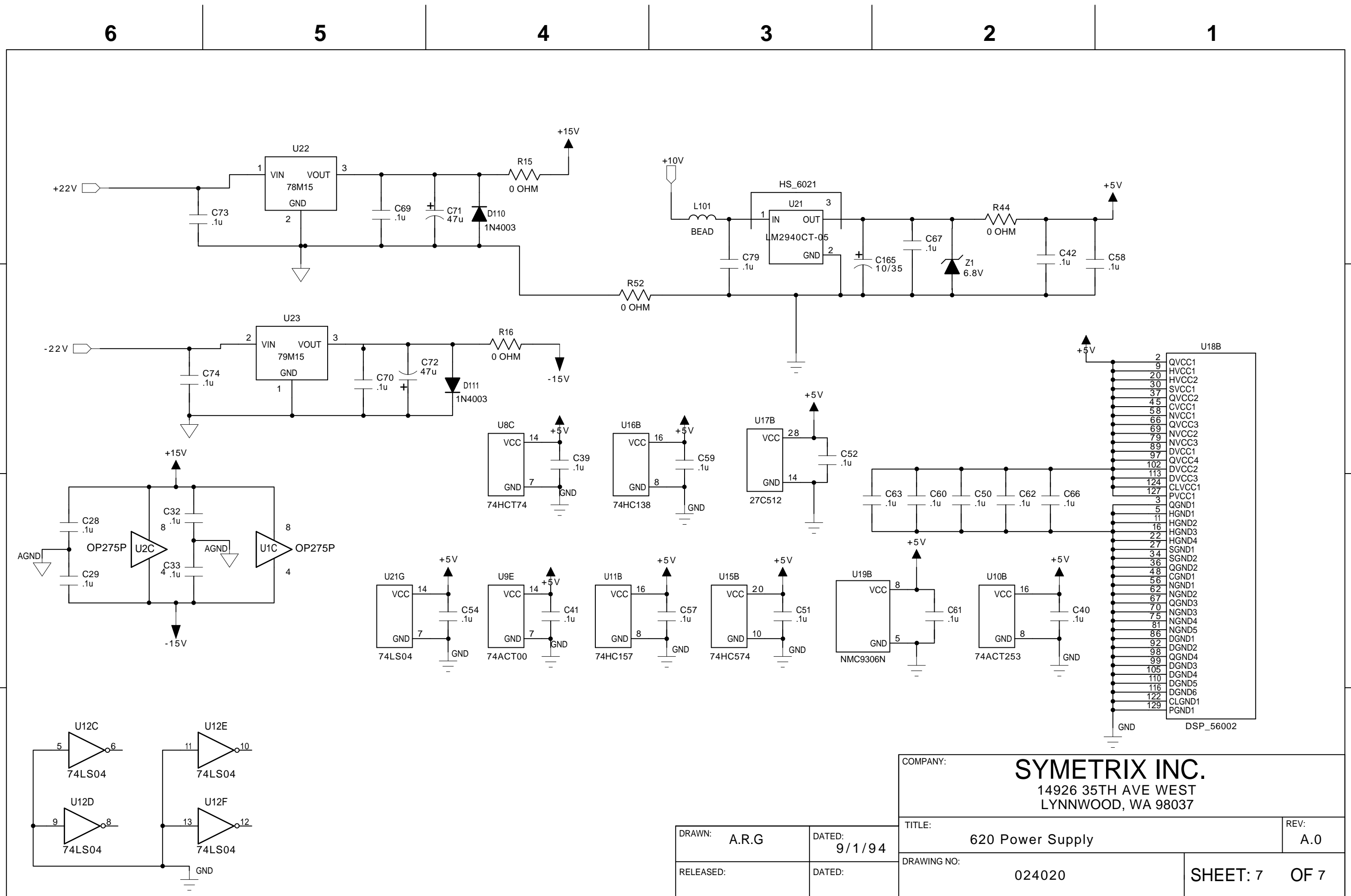


D
C
B
A

D
C
B
A

COMPANY:		SYMETRIX INC. 14926 35TH AVE WEST LYNNWOOD, WA 98037	
TITLE:		620 : Power Supply	REV: A.0
DRAWING NO:		024620	SHEET: 6 OF 7

DRAWN: A.R.G.	DATED: 9/1/94
RELEASED:	DATED:



COMPANY: **SYMETRIX INC.**
 14926 35TH AVE WEST
 LYNNWOOD, WA 98037

DRAWN: A.R.G	DATED: 9/1/94
RELEASED:	DATED:

TITLE: 620 Power Supply	REV: A.0
DRAWING NO: 024020	SHEET: 7 OF 7