

COMPANY: **SYMETRIX INC.**  
 14926 35TH AVE WEST  
 LYNNWOOD, WA 98037

TITLE: <b>620 : Display</b>	REV: <b>B.0</b>
DRAWING NO: <b>024620</b>	SHEET: <b>2 OF 7</b>

DRAWN: **ARG**  
 DATED: **7/5/94**  
 RELEASED:  
 DATED:

D  
C  
B  
A

D  
C  
B  
A

6

5

4

3

2

1

D

D

C

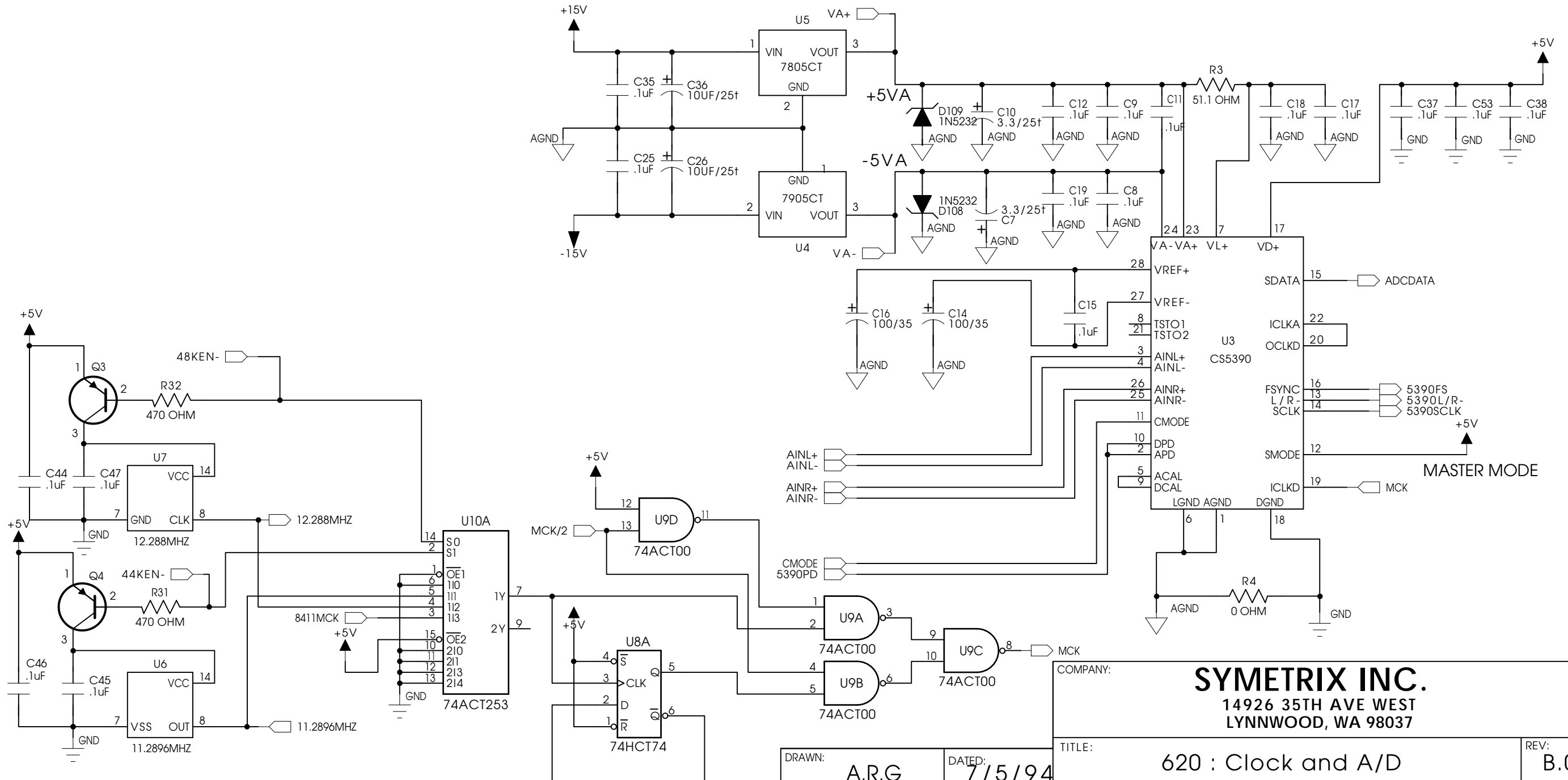
C

B

B

A

A



COMPANY: **SYMETRIX INC.**  
 14926 35TH AVE WEST  
 LYNNWOOD, WA 98037

TITLE: 620 : Clock and A/D	REV: B.0
DRAWING NO: 024620	SHEET: 3 OF 7

DRAWN: A.R.G	DATED: 7/5/94
RELEASED:	DATED:

6

5

4

3

2

1

D

C

B

A

D

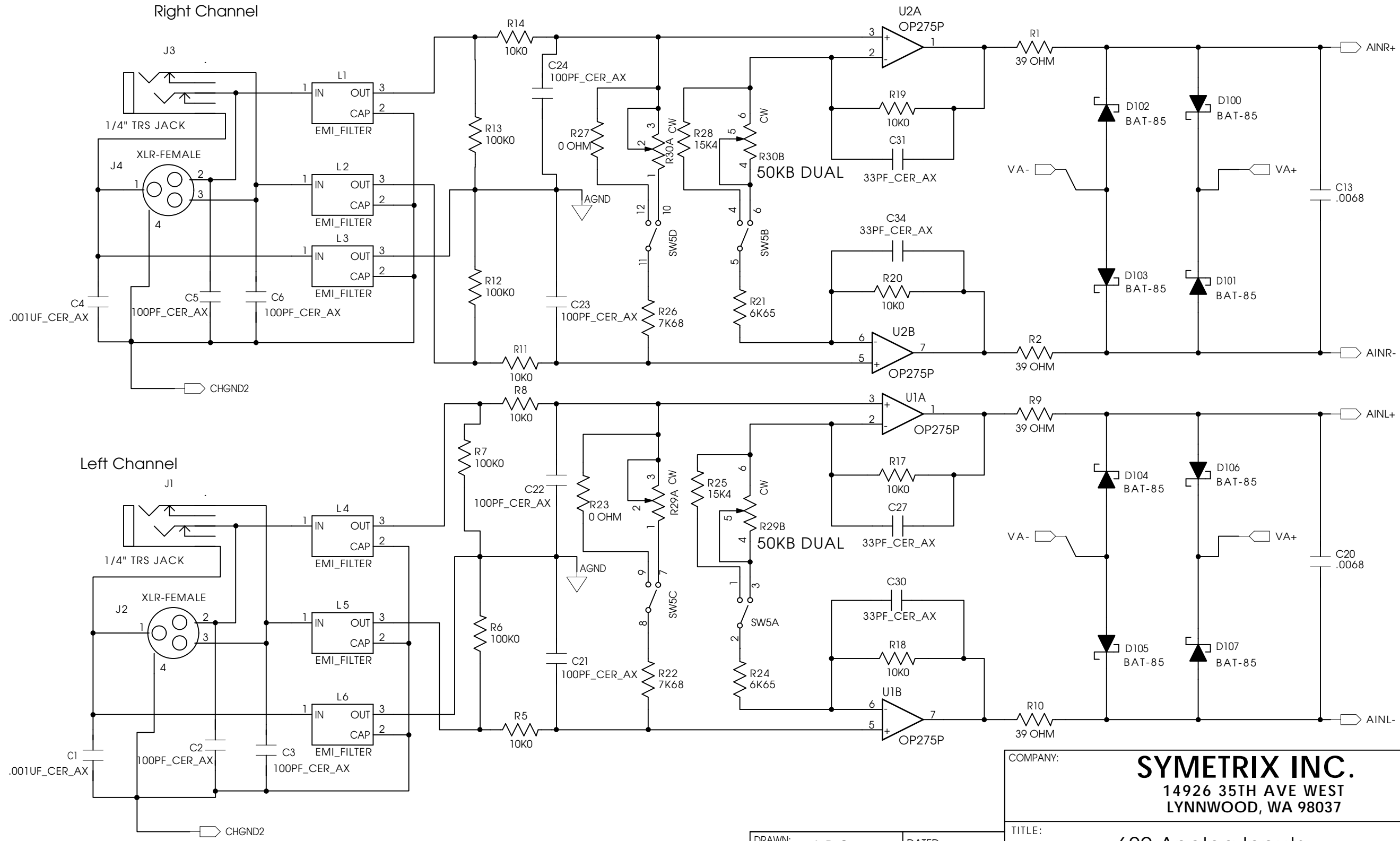
C

B

A

Right Channel

Left Channel



Note: CHGND2 attaches directly to chassis through a standoff.

COMPANY:		<b>SYMETRIX INC.</b>	
		14926 35TH AVE WEST LYNNWOOD, WA 98037	
TITLE:	620 Analog Inputs	REV:	B.0
DRAWING NO:	024620	SHEET: 4 OF 7	

DRAWN:	A.R.G	DATED:	9/1/94
RELEASED:		DATED:	

6

5

4

3

2

1

D

C

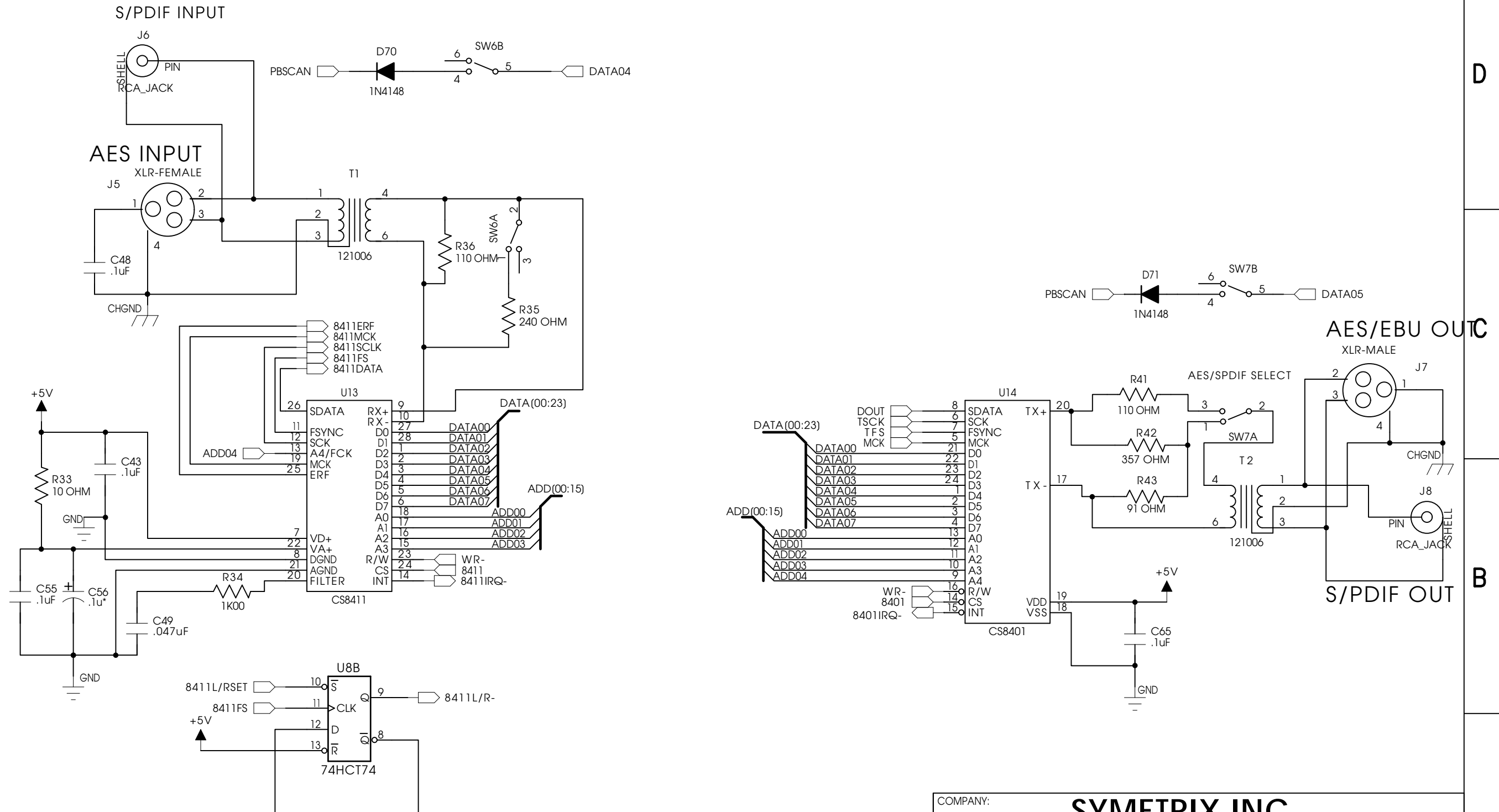
B

A

D

B

A



COMPANY: **SYMETRIX INC.**  
 14926 35TH AVE WEST  
 LYNNWOOD, WA 98037

DRAWN: <b>ARG</b>	DATED: <b>7/12/94</b>	TITLE: <b>620 : Digital Inputs and Outputs</b>	REV: <b>B.0</b>
RELEASED:	DATED:	DRAWING NO: <b>024620</b>	SHEET: <b>5 OF 7</b>

6

5

4

3

2

1

D

D

C

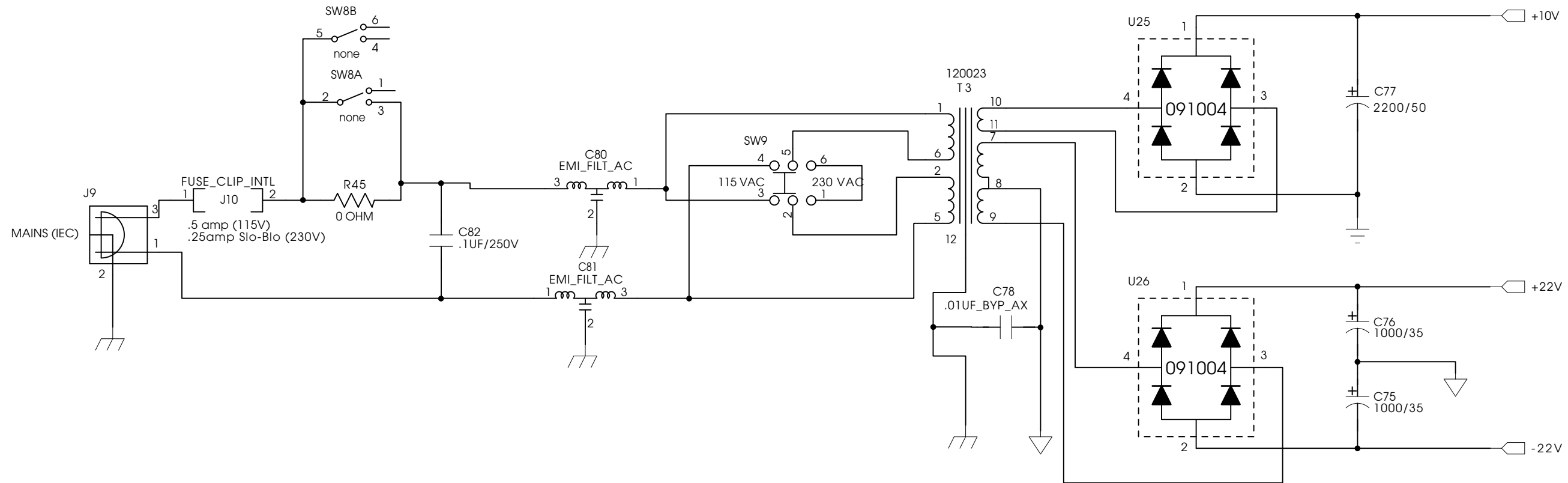
C

B

B

A

A



COMPANY:		<b>SYMETRIX INC.</b>	
		14926 35TH AVE WEST LYNNWOOD, WA 98037	
TITLE:		620 : Power Supply	REV: B.0
DRAWING NO:		024620	SHEET: 6 OF 7

DRAWN:	DATED:
A.R.G.	9/1/94
RELEASED:	DATED:

6

5

4

3

2

1

D

D

C

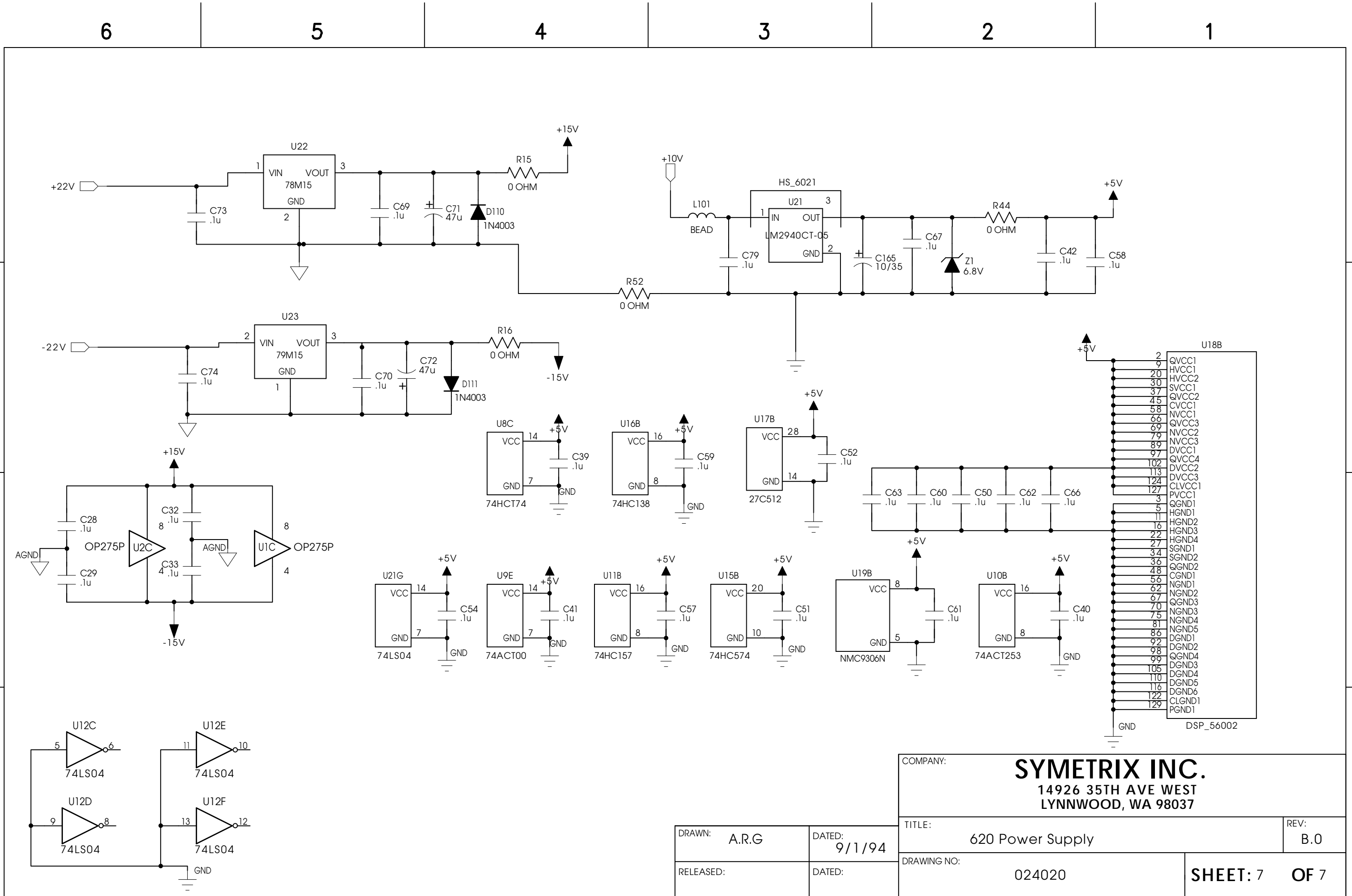
C

B

B

A

A



COMPANY:		<b>SYMETRIX INC.</b>	
		14926 35TH AVE WEST LYNNWOOD, WA 98037	
DRAWN: A.R.G		DATED: 9/1/94	
RELEASED:		DATED:	
TITLE: 620 Power Supply		REV: B.0	
DRAWING NO: 024020		SHEET: 7 OF 7	