

6

5

4

3

2

1

D

C

B

A

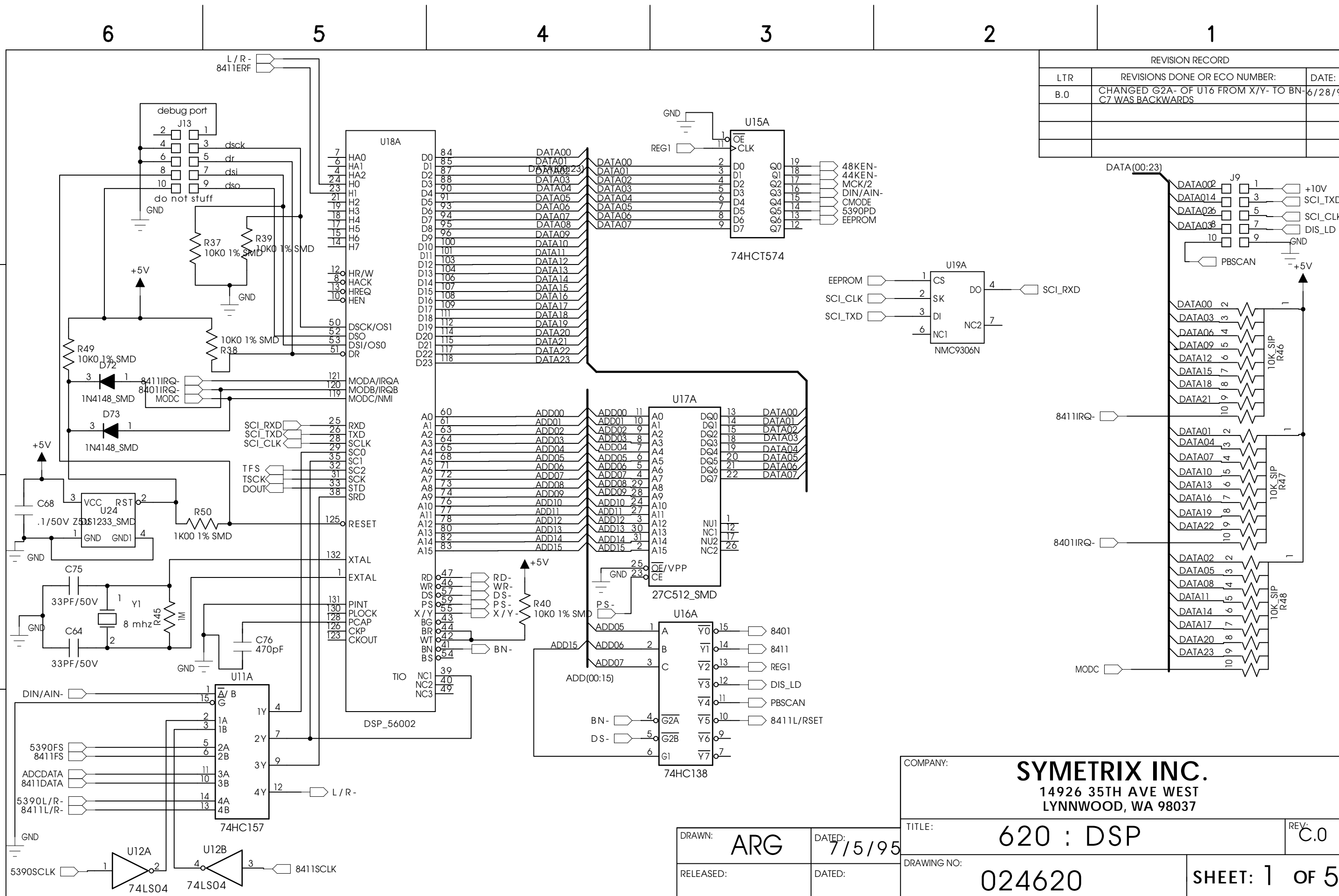
D

C

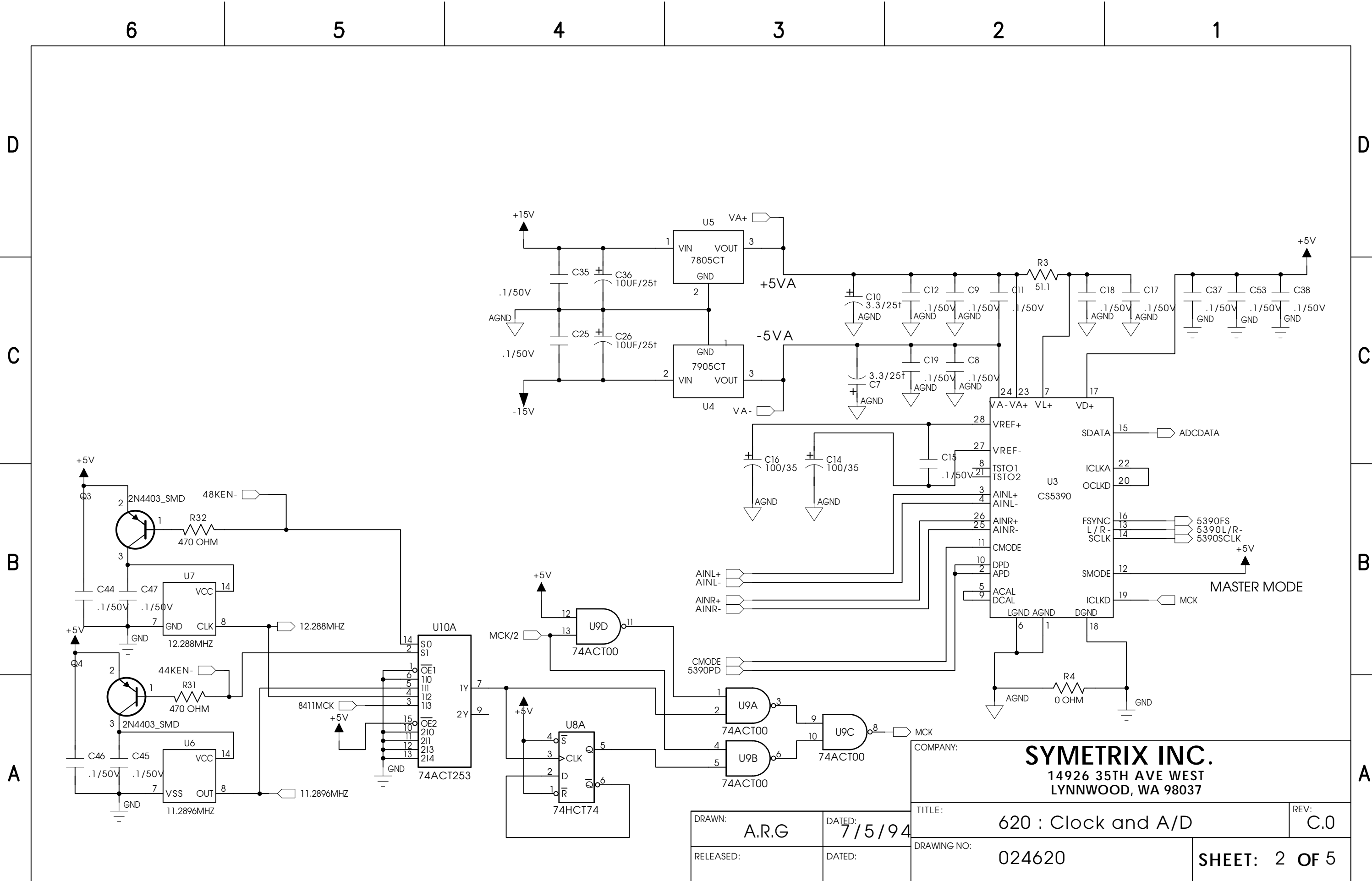
B

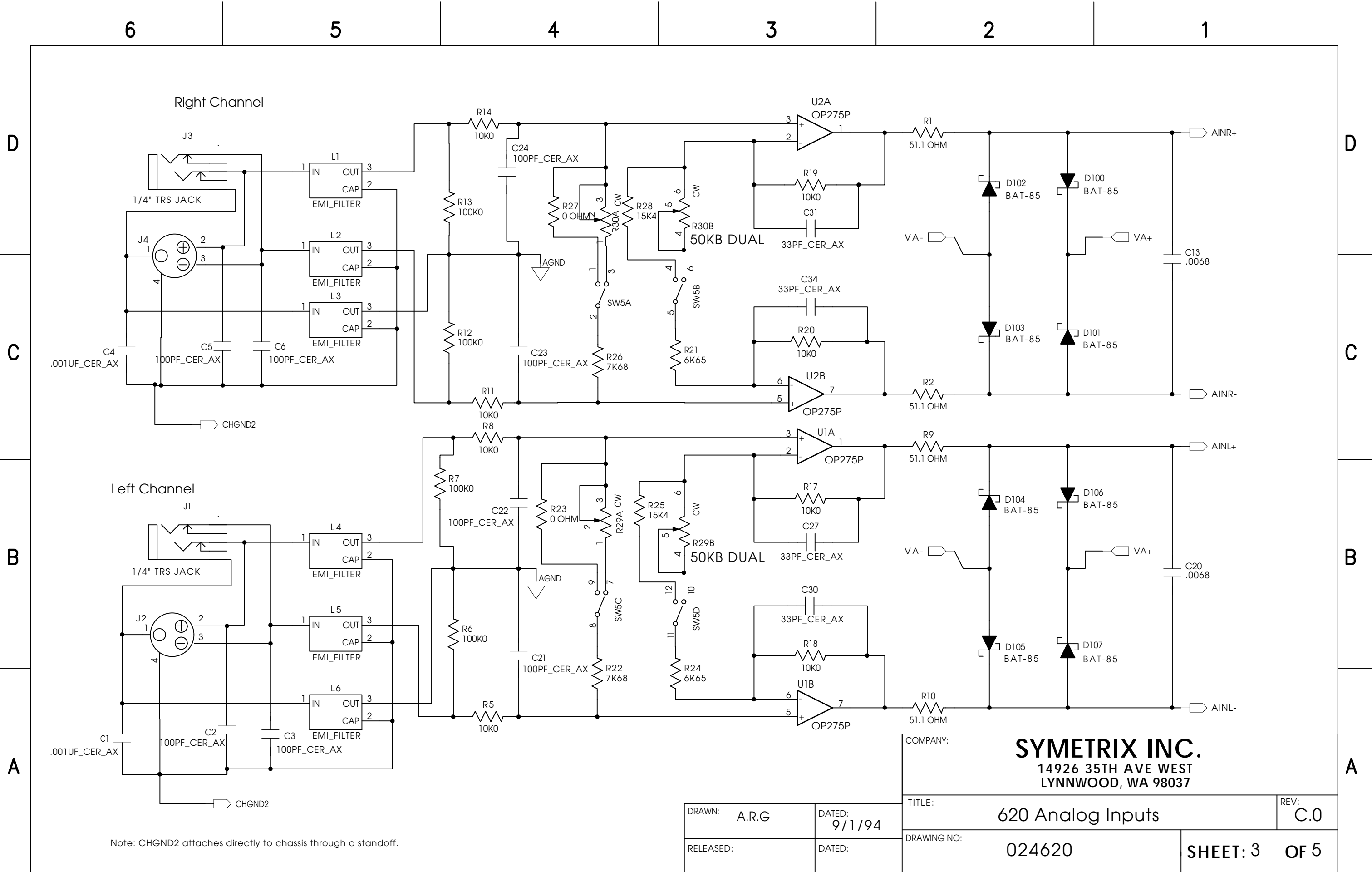
A

REVISION RECORD		
LTR	REVISIONS DONE OR ECO NUMBER:	DATE:
B.0	CHANGED G2A- OF U16 FROM X/Y- TO BN-C7 WAS BACKWARDS	6/28/95



COMPANY:		
<b>SYMETRIX INC.</b> 14926 35TH AVE WEST LYNNWOOD, WA 98037		
DRAWN:	DATED:	TITLE:
ARG	7/15/95	620 : DSP
RELEASED:	DATED:	DRAWING NO:
		024620
		SHEET: 1 OF 5
		REV: C.0

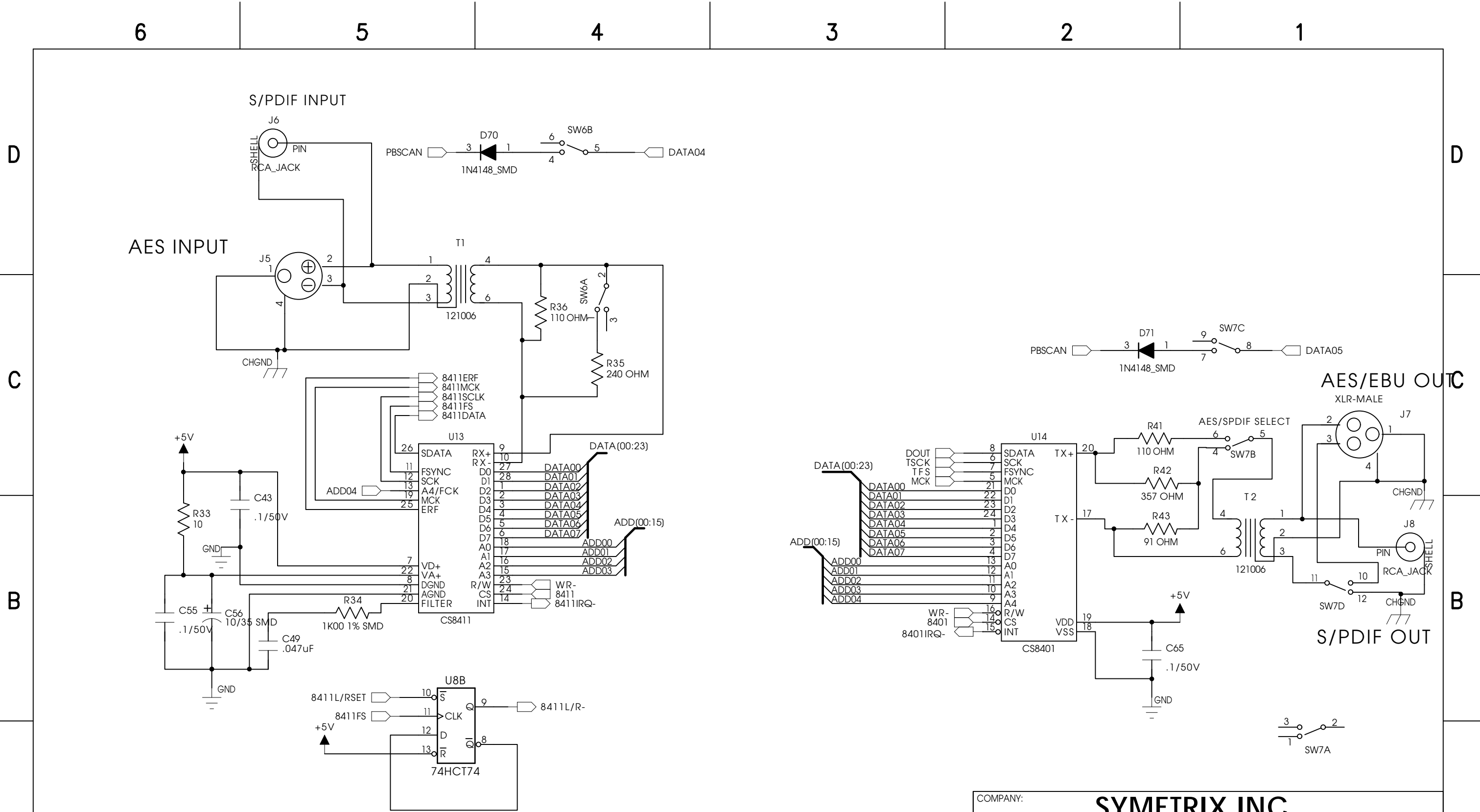




Note: CHGND2 attaches directly to chassis through a standoff.

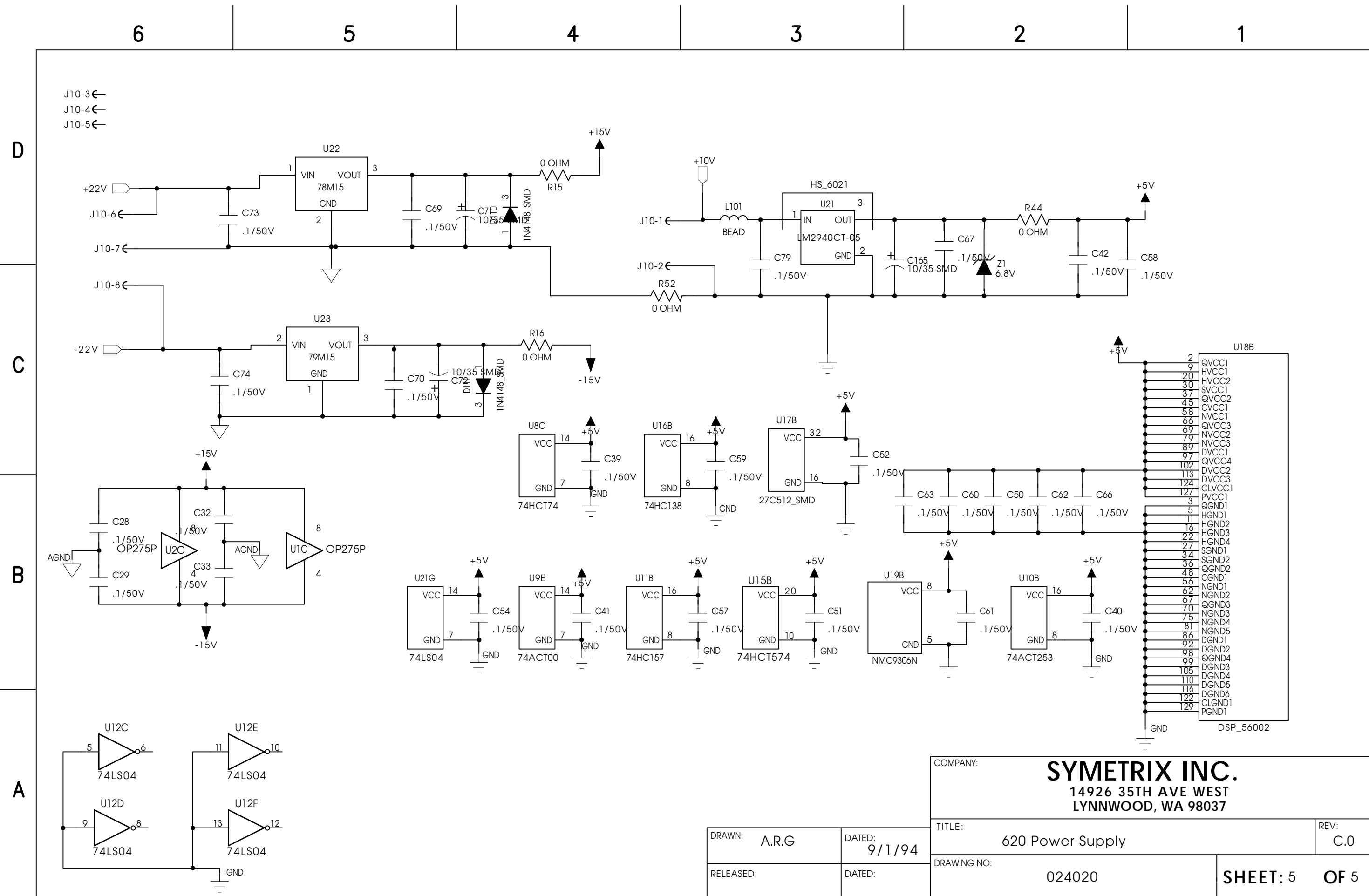
COMPANY: **SYMETRIX INC.**  
 14926 35TH AVE WEST  
 LYNNWOOD, WA 98037

DRAWN: A.R.G	DATED: 9/1/94	TITLE: 620 Analog Inputs	REV: C.0
RELEASED:	DATED:	DRAWING NO: 024620	SHEET: 3 OF 5



COMPANY: **SYMETRIX INC.**  
 14926 35TH AVE WEST  
 LYNNWOOD, WA 98037

DRAWN: <b>ARG</b>	DATED: <b>7/12/94</b>	TITLE: <b>620 : Digital Inputs and Outputs</b>	REV: <b>C.0</b>
RELEASED:	DATED:	DRAWING NO: <b>024620</b>	SHEET: <b>4 OF 5</b>



COMPANY: **SYMETRIX INC.**  
 14926 35TH AVE WEST  
 LYNNWOOD, WA 98037

DRAWN: A.R.G	DATED: 9/1/94
RELEASED:	DATED:

TITLE: 620 Power Supply	REV: C.0
DRAWING NO: 024020	SHEET: 5 OF 5