

REVISION RECORD		
LTR	REVISIONS DONE OR ECO NUMBER:	DATE:
C.0	Converted digital section to SMD Created 4-layer PCB	12/3/95
D.0	Changed L101 to .6 spacing, Z1 to DO41	1/2/95
D.1	Chg C76 from 470pF/X7R to 470pF/NPO; added C78 to match PCB (SH5).	1/31/96

COMPANY:		SYMETRIX INC.	
		14926 35th Avenue West	
		Lynnwood, WA 98037-2303 USA	
TITLE:		620 : DSP	REV: D.1
DRAWING NO:		024620	SHEET: 1 OF 5

DRAWN:	DATED:
A.R.G.	7/5/95
RELEASED:	DATED:

6

5

4

3

2

1

D

D

C

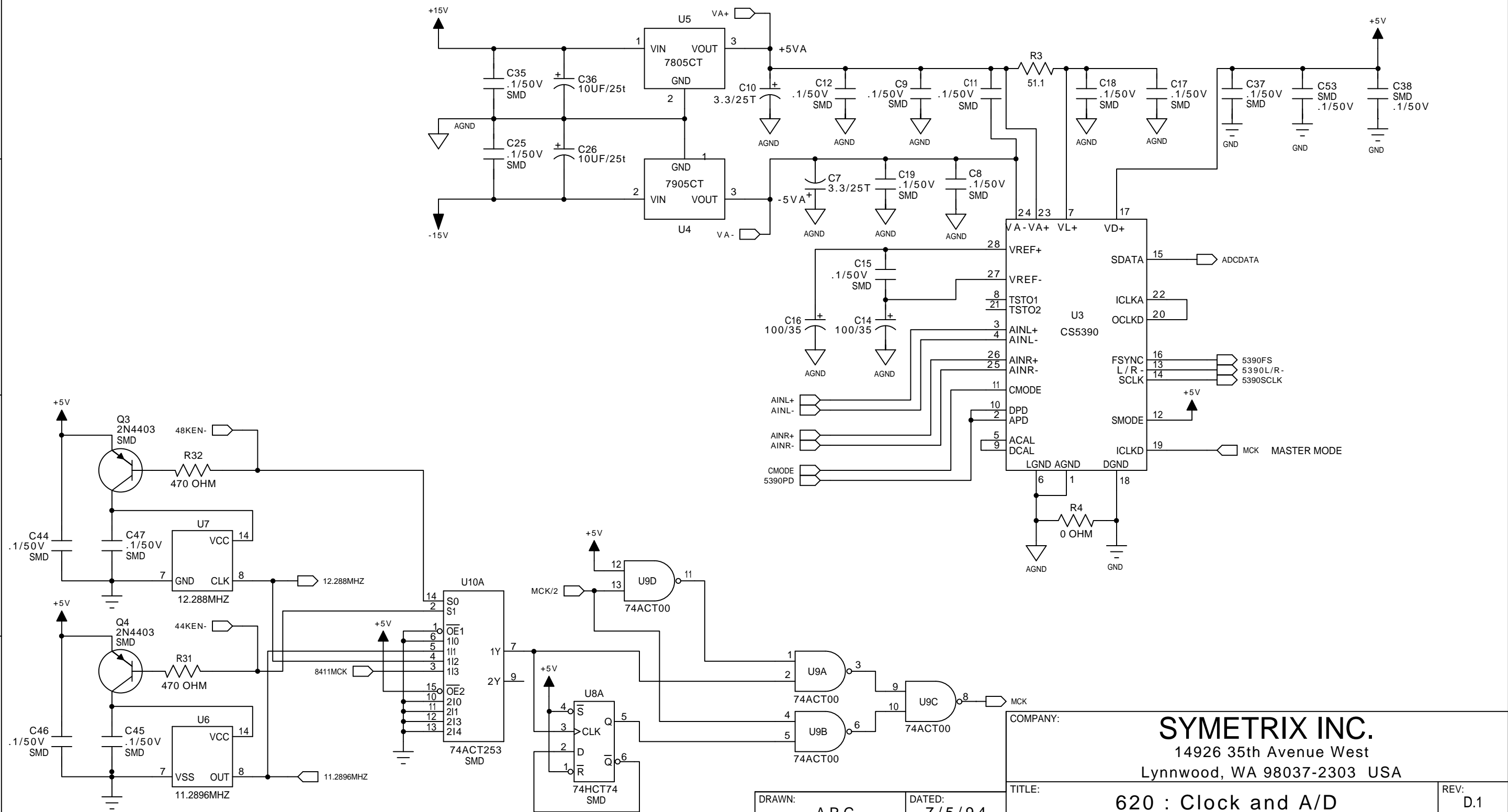
C

B

B

A

A



COMPANY:		SYMETRIX INC.	
		14926 35th Avenue West Lynnwood, WA 98037-2303 USA	
TITLE:		620 : Clock and A/D	REV: D.1
DRAWING NO:		024620	SHEET: 2 OF 5

DRAWN:	DATED:
A.R.G	7/5/94
RELEASED:	DATED:

6

5

4

3

2

1

D

D

C

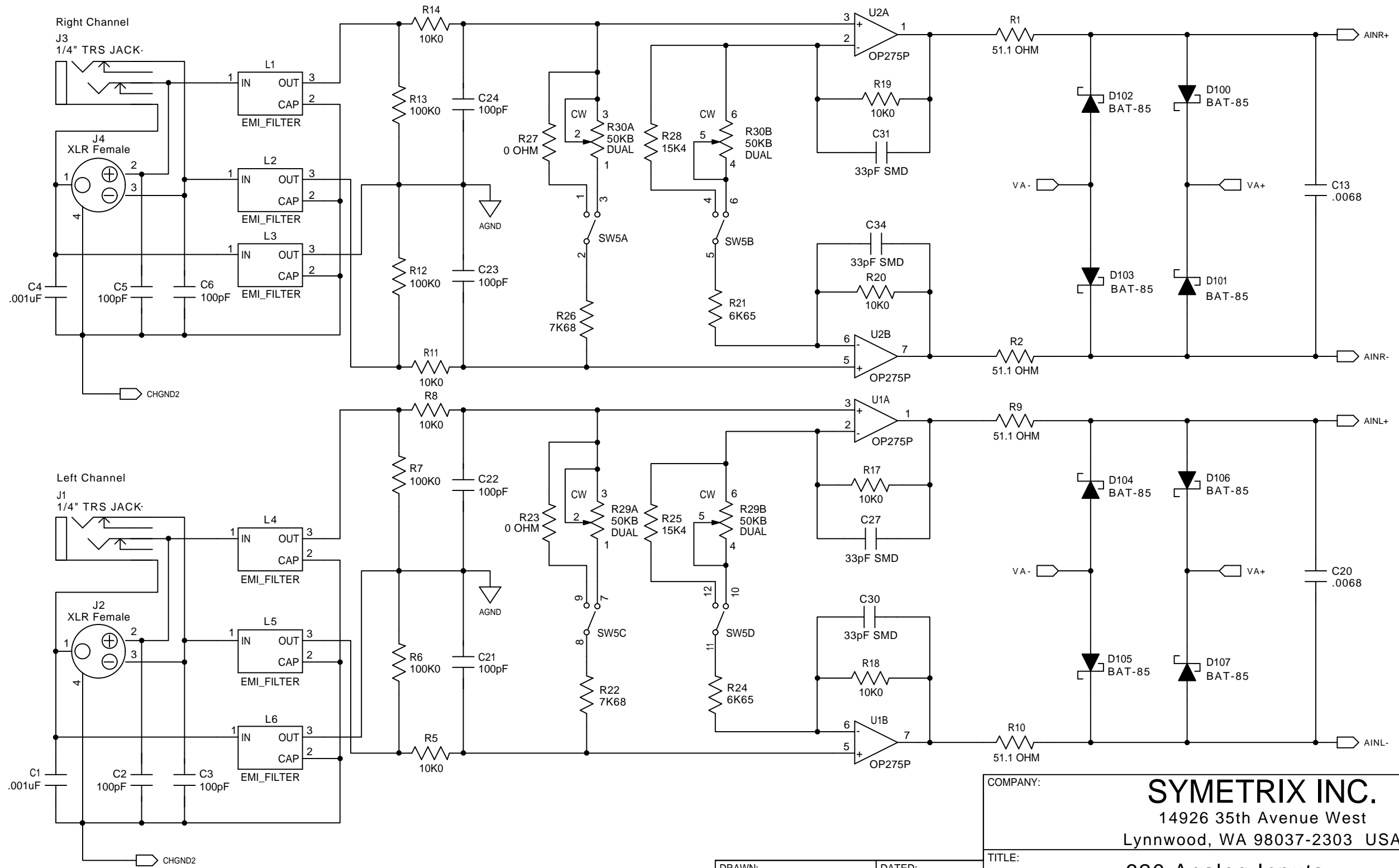
C

B

B

A

A



Note: CHGND2 attaches directly to chassis through a standoff.

COMPANY:		SYMETRIX INC.	
		14926 35th Avenue West Lynnwood, WA 98037-2303 USA	
TITLE:		620 Analog Inputs	REV: D.1
DRAWING NO:		024620	SHEET: 3 OF 5

DRAWN:	DATED:
A.R.G	9/1/94
RELEASED:	DATED:

6

5

4

3

2

1

D

D

C

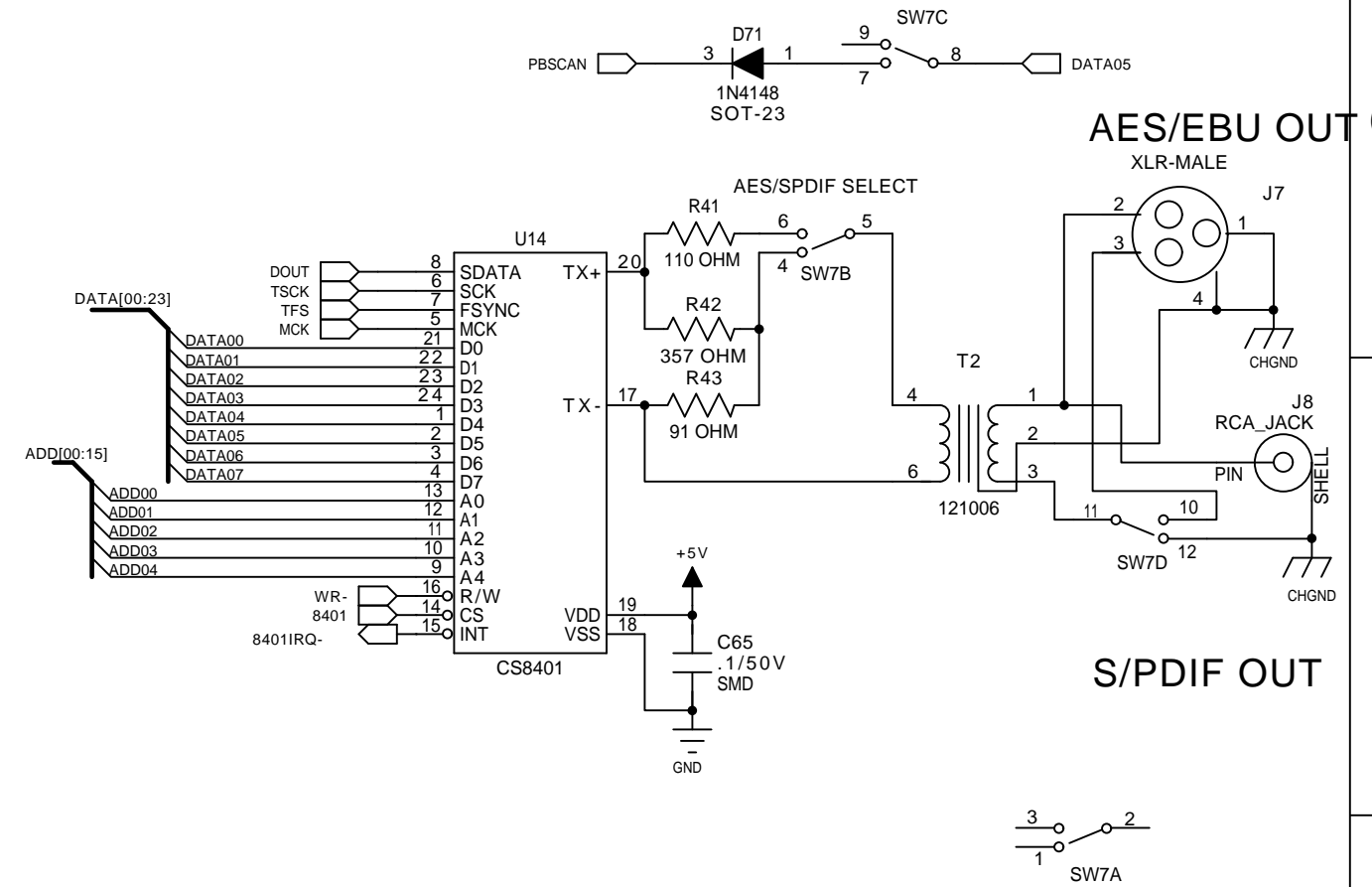
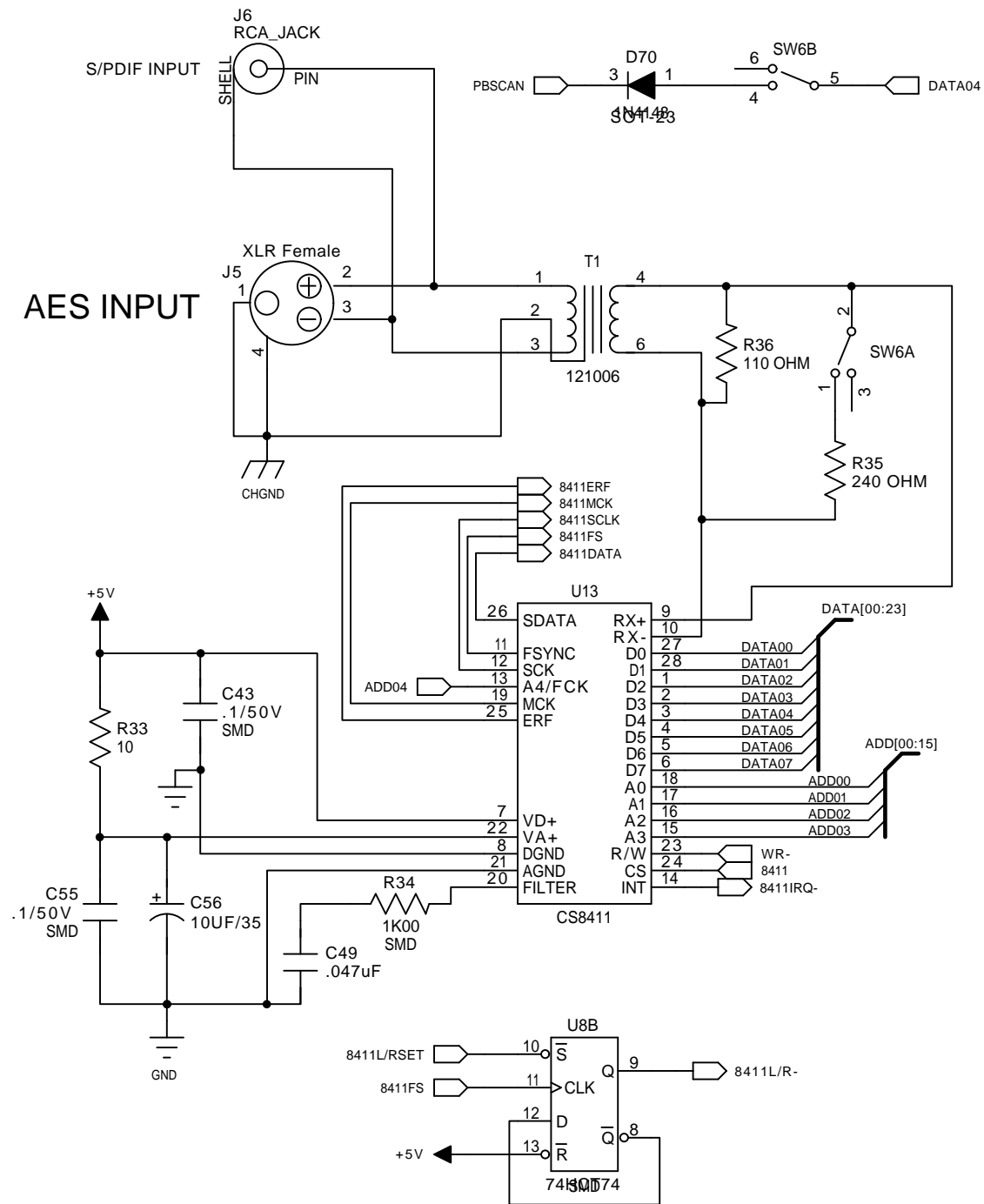
C

B

B

A

A



COMPANY:		SYMETRIX INC.	
		14926 35th Avenue West Lynnwood, WA 98037-2303 USA	
TITLE:		620 : Digital Inputs and Outputs	REV: D.1
DRAWING NO:		024620	SHEET: 4 OF 5

DRAWN:	A.R.G.	DATED:	7/12/94
RELEASED:		DATED:	

6

5

4

3

2

1

D

D

C

C

B

B

A

A

J10-3
J10-4
J10-5

+22V
J10-6
J10-7

J10-8

-22V

+15V
R15
0 OHM
R52
0 OHM

+10V

J10-1
L101
BEAD
C79
.1/50V
SMD

J10-2

HS_6021
U21
LM2940CT-05

R44
0 OHM
Z1
6.8V
C42
.1/50V
SMD

+5V
C58
.1/50V
SMD

U22
78M15
VIN
VOUT
GND

C69
.1/50V
SMD
C71
10UF/35

D110
1N4148
SOT-23

U23
79M15
VIN
VOUT
GND

C70
.1/50V
SMD
C72
10UF/35

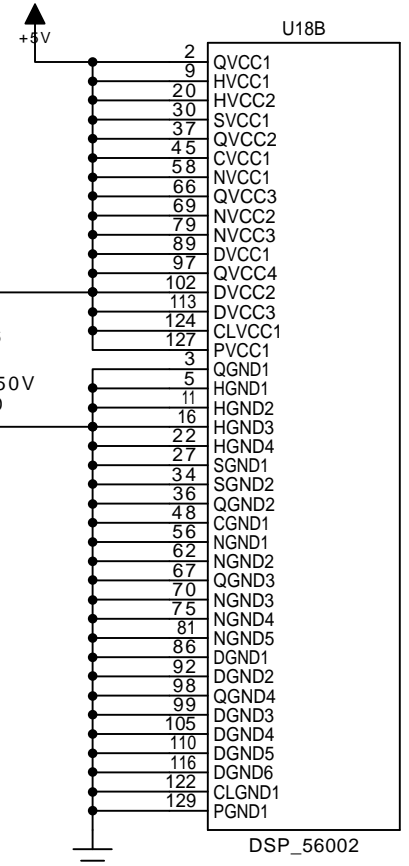
D111
1N4148
SOT-23

U8C
74HCT74
VCC
SMD
GND

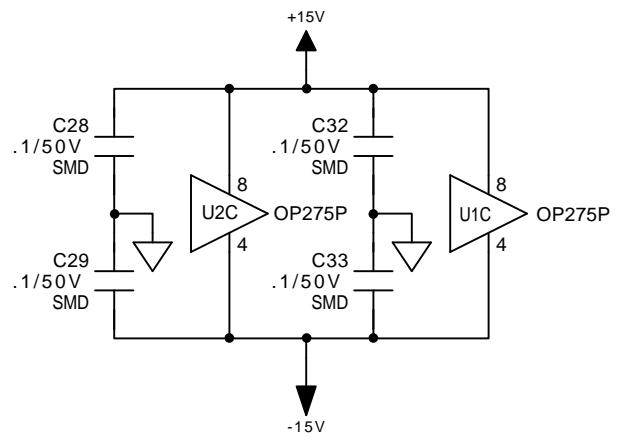
U16B
74HC138
VCC
SMD
GND

U17B
27C512_SMD
VCC
SMD
GND

C63
.1/50V
SMD
C60
.1/50V
SMD
C50
.1/50V
SMD
C62
.1/50V
SMD
C66
.1/50V
SMD



DSP_56002



U21G
74LS04
VCC
SMD
GND

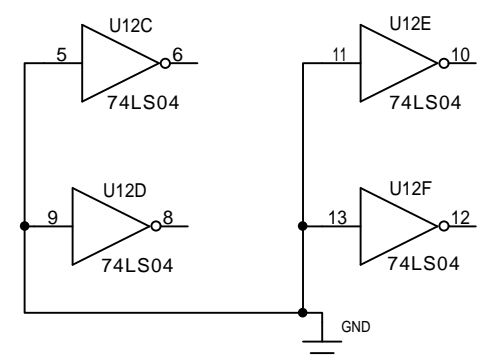
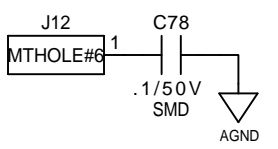
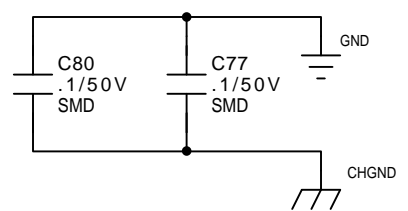
U9E
74ACT00
VCC
SMD
GND

U11B
74HC157
VCC
SMD
GND

U15B
74HCT574
VCC
SMD
GND

U19B
NMC9306N
VCC
SMD
GND

U10B
74ACT253
VCC
SMD
GND



COMPANY:		SYMETRIX INC.	
		14926 35th Avenue West Lynnwood, WA 98037-2303 USA	
TITLE:		620 Power Supply	REV: D.1
DRAWING NO:		024020	SHEET: 5 OF 5

DRAWN:	A.R.G	DATED:	9/1/94
RELEASED:		DATED:	