

6

5

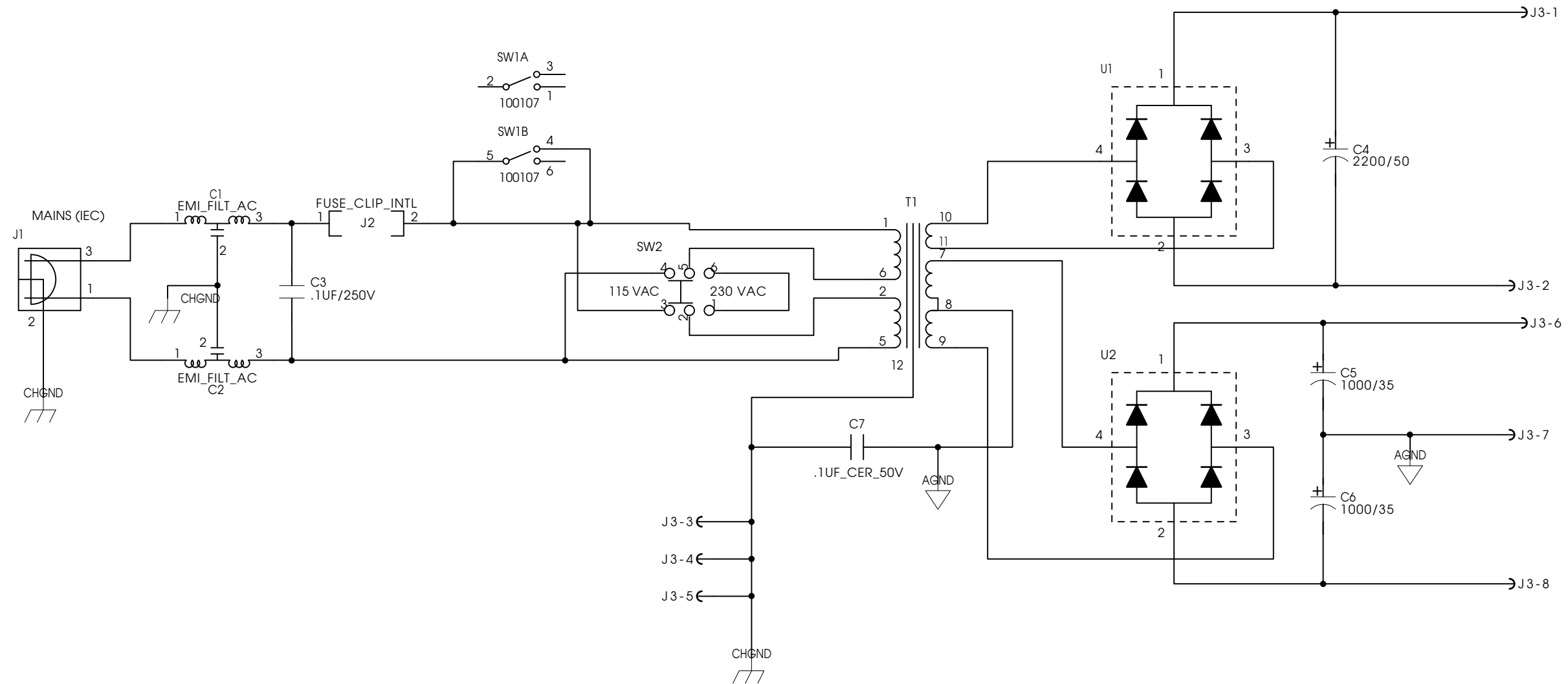
4

3

2

1

REVISION RECORD		
LTR	REVISIONS DONE OR ECO NUMBER:	DATE:



D

C

B

A

D

C

B

A

COMPANY:		SYMETRIX INC.	
		14926 35th Ave West Lynnwood, WA 98037	
DRAWN:	arg	DATED:	9/18/96
RELEASED:		DATED:	
TITLE:		620 Power Supply Board	
DRAWING NO:		026620	
		SHEET: 1	OF 1