

6

5

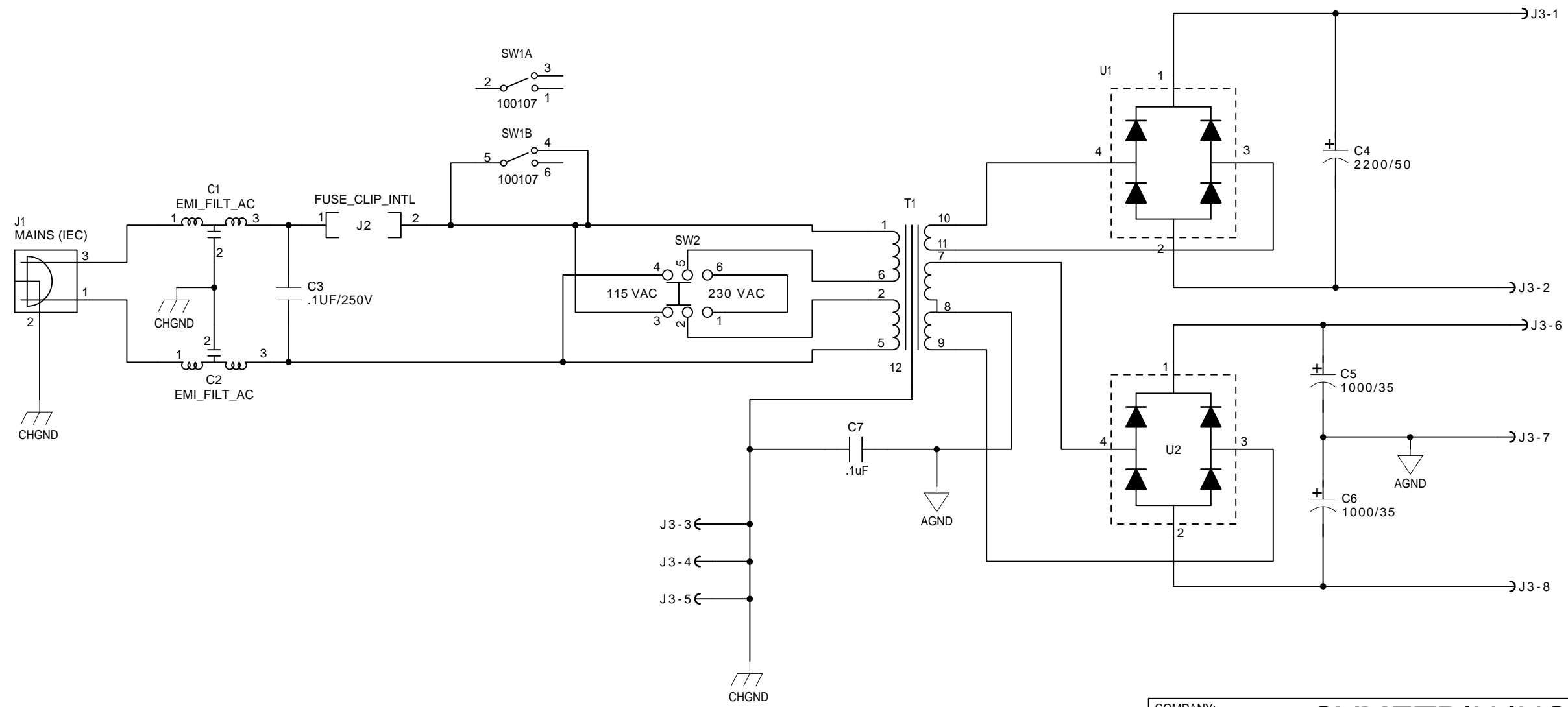
4

3

2

1

REVISION RECORD		
LTR	REVISIONS DONE OR ECO NUMBER:	DATE:



COMPANY: **SYMETRIX INC.**  
 14926 35th Avenue West  
 Lynnwood, WA 98037-2303 USA

DRAWN: <b>ARG</b>	DATED: <b>9/18/95</b>	TITLE: <b>620 Power Supply Board</b>	REV.: <b>C.0</b>
RELEASED:	DATED:	DRAWING NO.: <b>026620</b>	SHEET: 1 OF 1