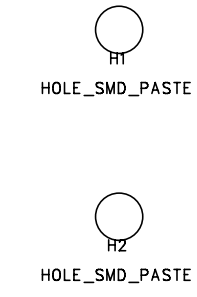
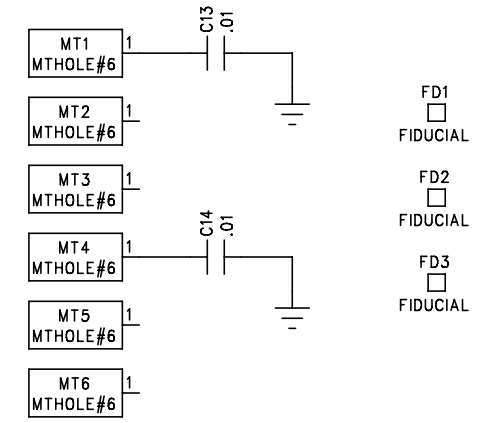
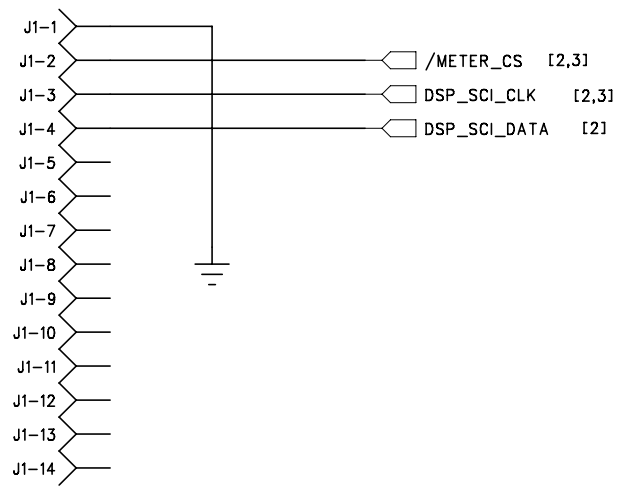
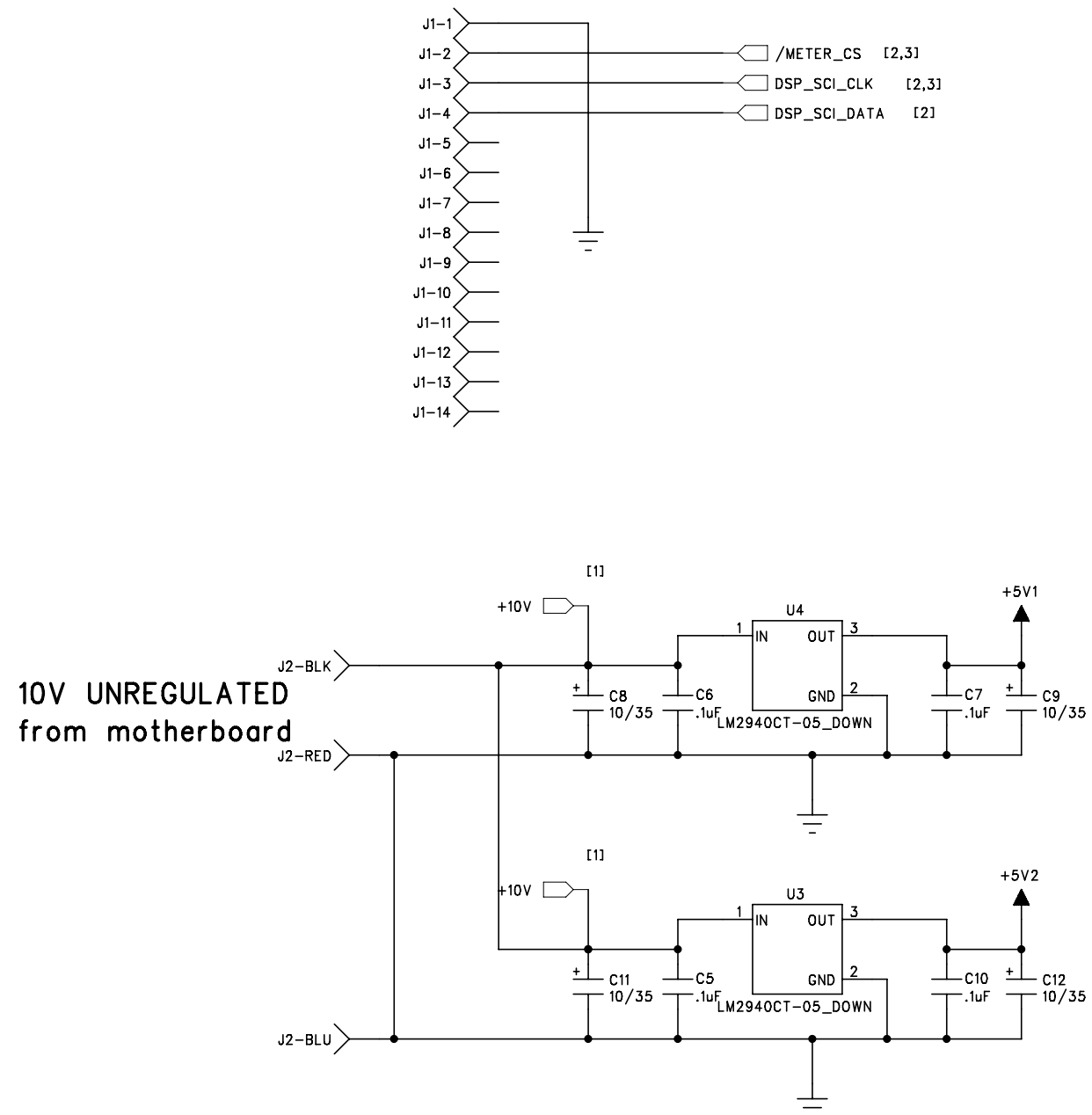


6 | 5 | 4 | 3 | 2 | 1

REVISION RECORD		
REV	REVISIONS DONE OR ECO NUMBER:	DATE:

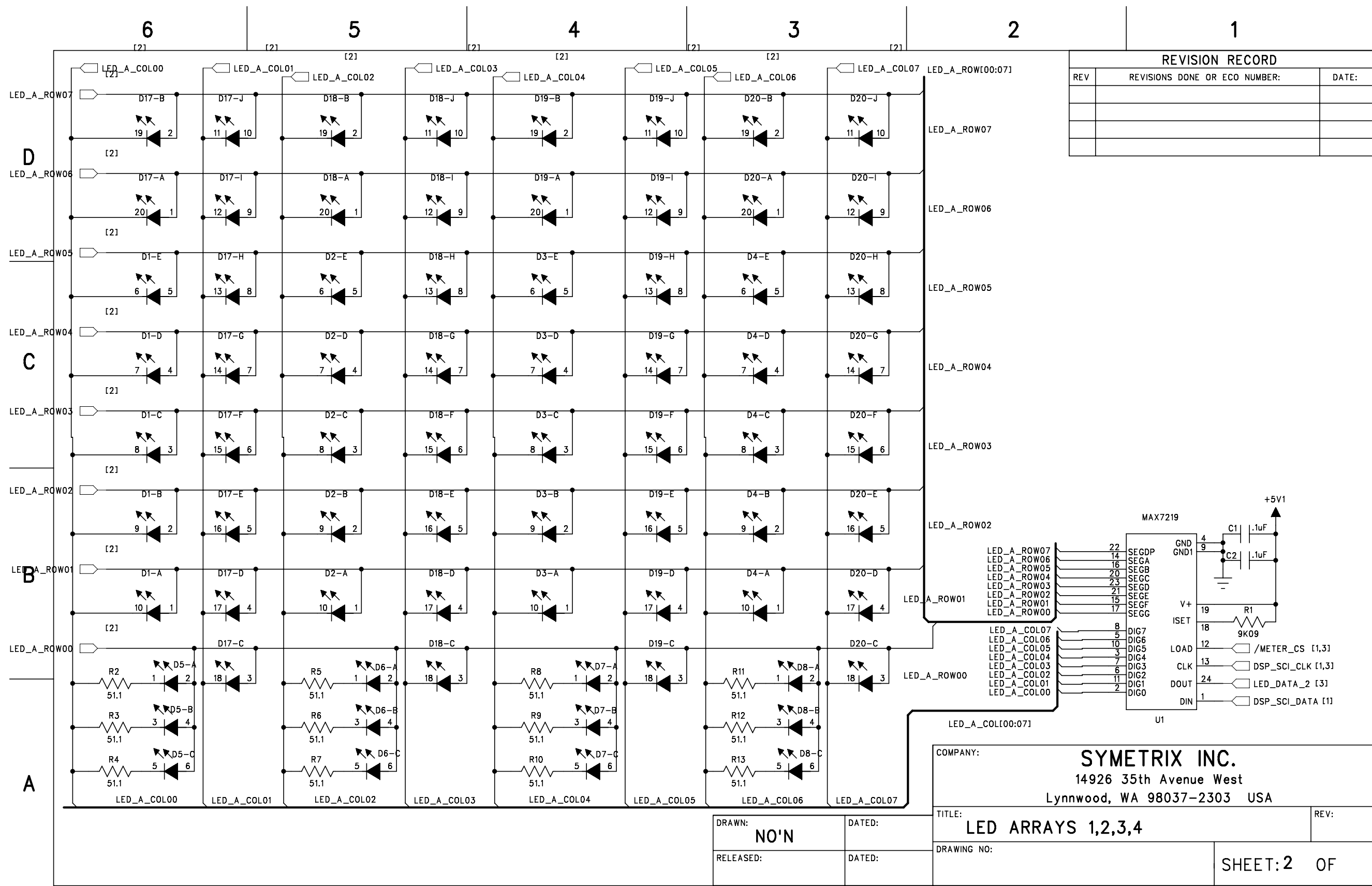
D
C
B
A

D
C
B
A



COMPANY: **SYMETRIX INC.**
14926 35th Avenue West
Lynnwood, WA 98037-2303 USA

DRAWN: NO'N	DATED: 18Jan99	TITLE: CONNECTORS	REV: C.00
RELEASED:	DATED:	DRAWING NO:	SHEET: 1 OF

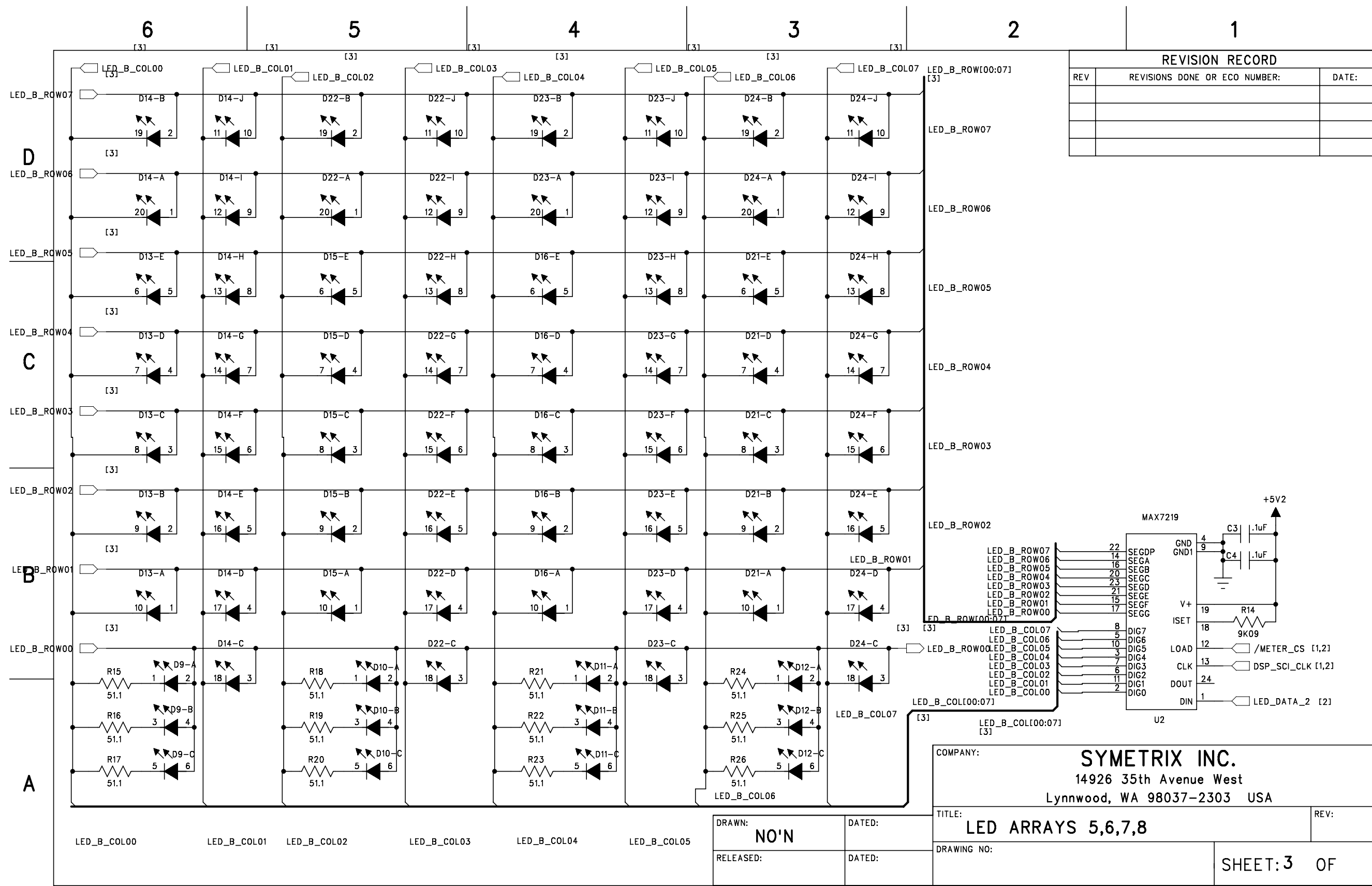


COMPANY: **SYMETRIX INC.**
 14926 35th Avenue West
 Lynnwood, WA 98037-2303 USA

TITLE: **LED ARRAYS 1,2,3,4**

DRAWN: **NO'N** DATED: RELEASED: DATED:

DRAWING NO: SHEET: **2** OF



COMPANY: **SYMETRIX INC.**
 14926 35th Avenue West
 Lynnwood, WA 98037-2303 USA

TITLE: **LED ARRAYS 5,6,7,8**

DRAWN: **NO'N** DATED: RELEASED: DATED:

DRAWING NO: SHEET: **3** OF