

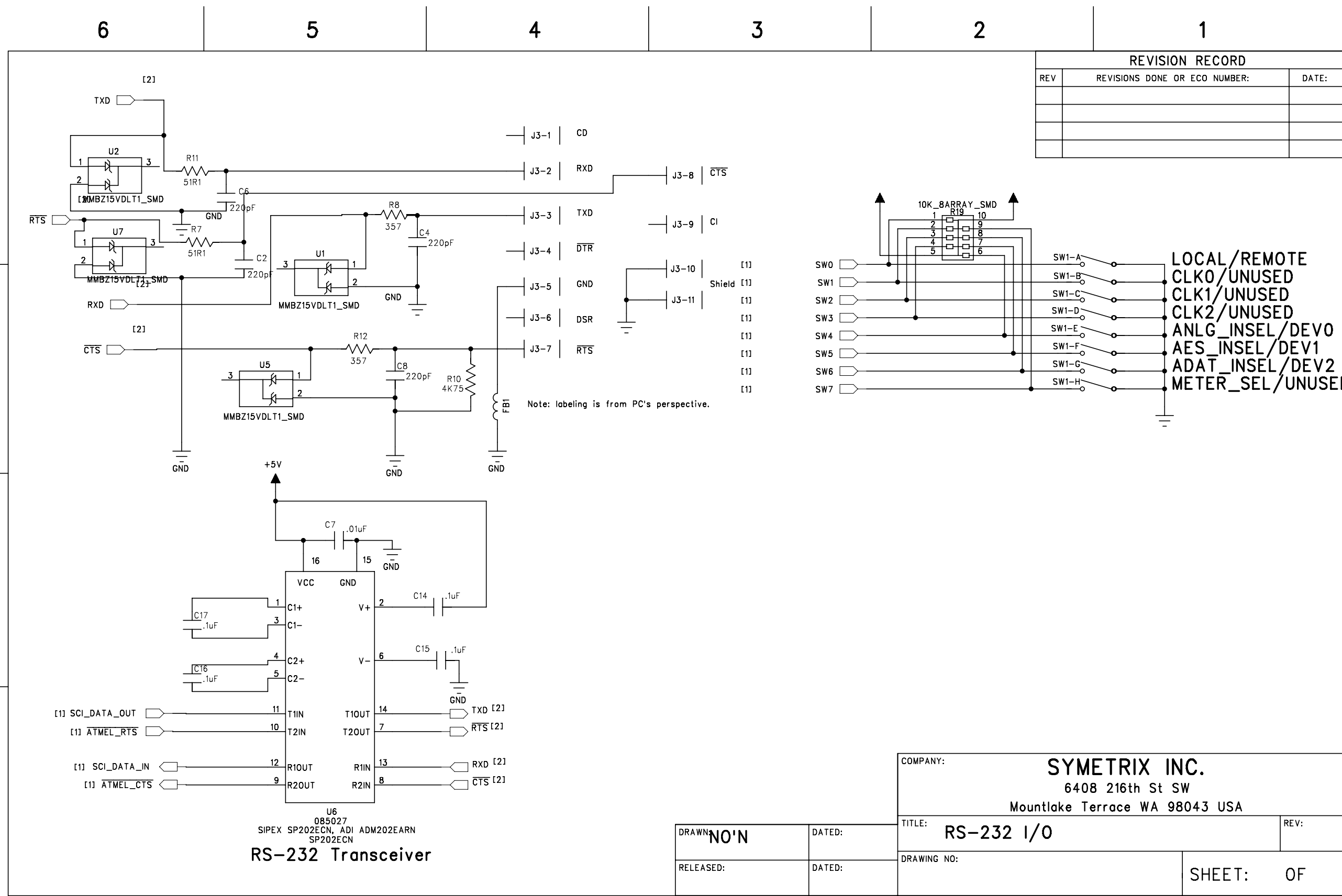
REVISION RECORD		
REV	REVISIONS DONE OR ECO NUMBER:	DATE:

Unused

STUFF FOR DEVELOPMENT ONLY

COMPANY: **SYMETRIX INC.**  
 6408 216th St SW  
 Mountlake Terrace WA 98043 USA

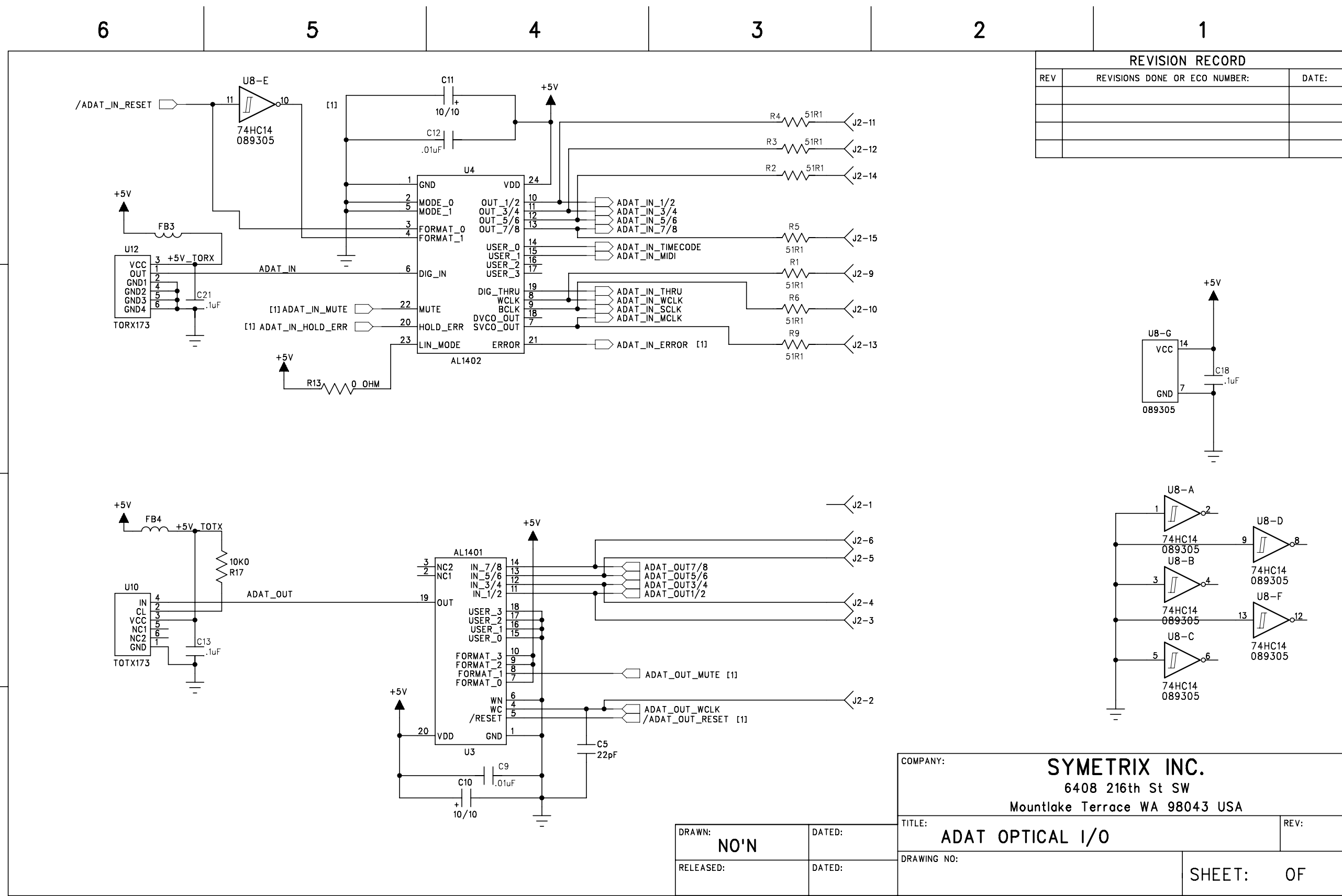
DRAWN: <b>NO'N</b>	DATED: <b>1/1/04</b>	TITLE: <b>ATMEL</b>	REV: <b>A.00</b>
RELEASED:	DATED:	DRAWING NO:	SHEET: <b>1</b> OF



REVISION RECORD		
REV	REVISIONS DONE OR ECO NUMBER:	DATE:

Note: labeling is from PC's perspective.

COMPANY:		<b>SYMETRIX INC.</b>	
		6408 216th St SW Mountlake Terrace WA 98043 USA	
DRAWN: NO'N	DATED:	TITLE: RS-232 I/O	REV:
RELEASED:	DATED:	DRAWING NO:	SHEET: OF



REVISION RECORD		
REV	REVISIONS DONE OR ECO NUMBER:	DATE:

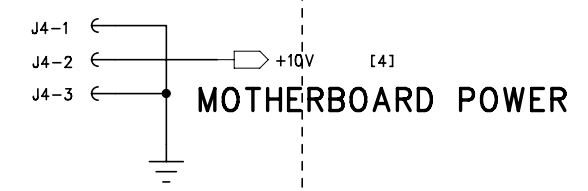
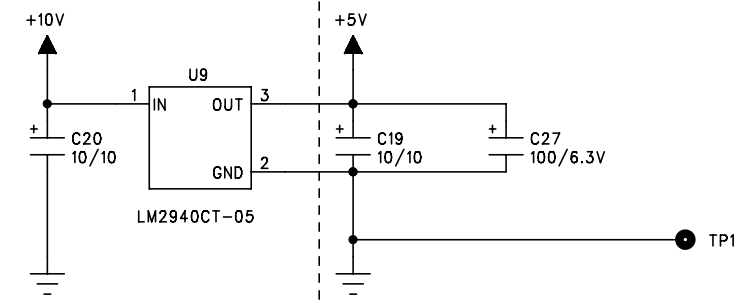
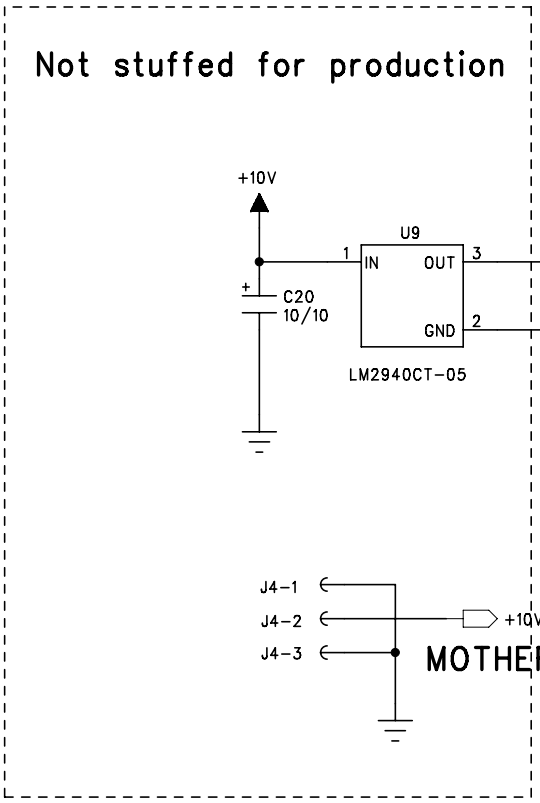
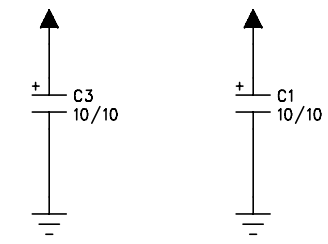
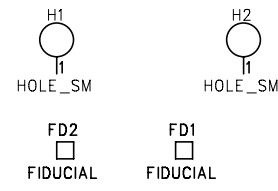
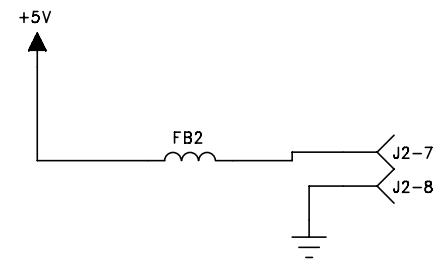
COMPANY:		<b>SYMETRIX INC.</b>	
		6408 216th St SW	
		Mountlake Terrace WA 98043 USA	
DRAWN:	NO'N	DATED:	TITLE:
RELEASED:		DATED:	ADAT OPTICAL I/O
		DRAWING NO:	REV:
		SHEET:	OF

6 | 5 | 4 | 3 | 2 | 1

REVISION RECORD		
REV	REVISIONS DONE OR ECO NUMBER:	DATE:

D  
C  
B  
A

D  
C  
B  
A



COMPANY: **SYMETRIX INC.**  
6408 216th St SW  
Mountlake Terrace WA 98043 USA

DRAWN:	DATED:	TITLE:	REV:
RELEASED:	DATED:	DRAWING NO:	SHEET: OF