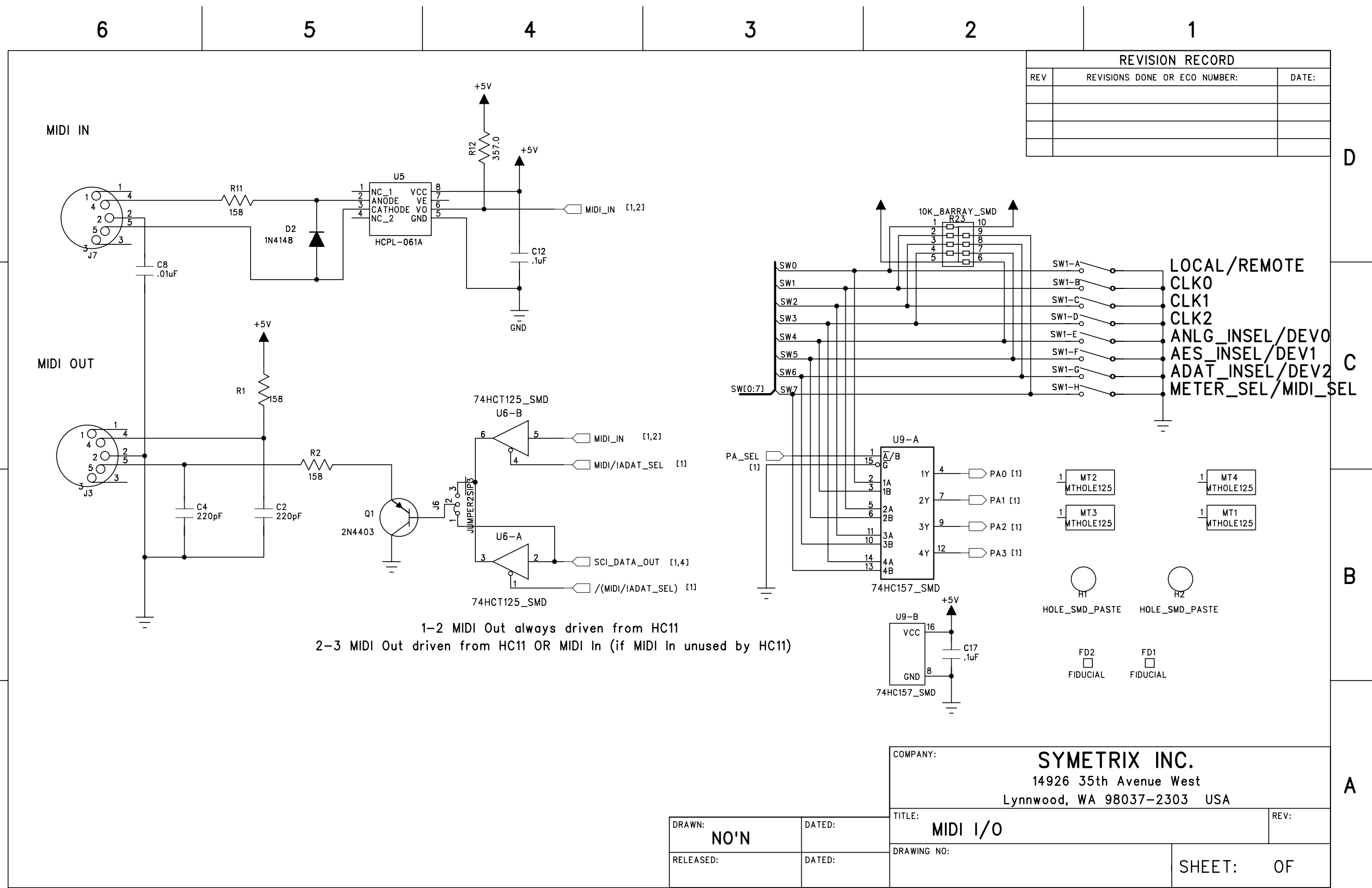


| REVISION RECORD | | |
|-----------------|-------------------------------|-------|
| REV | REVISIONS DONE OR ECO NUMBER: | DATE: |
| | | |
| | | |
| | | |
| | | |

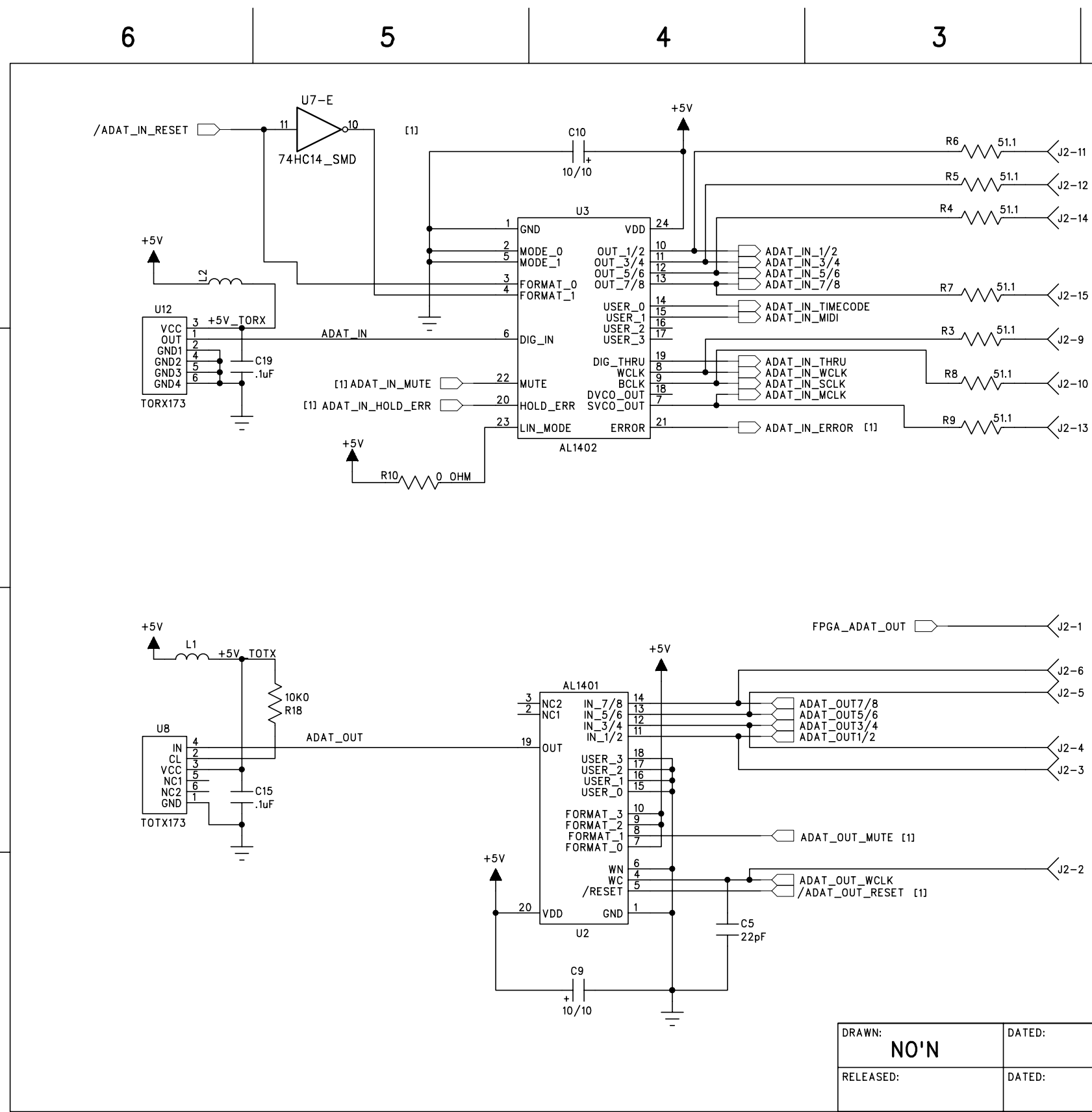
COMPANY: **SYMETRIX INC.**
 14926 35th Avenue West
 Lynnwood, WA 98037-2303 USA

| | | | |
|--------------------|----------------------|--------------------------------|--------------------|
| DRAWN: NO'N | DATED: 6/9/99 | TITLE: 68HC11 and EPROM | REV: B.00 |
| RELEASED: | DATED: | DRAWING NO: | SHEET: 1 OF |



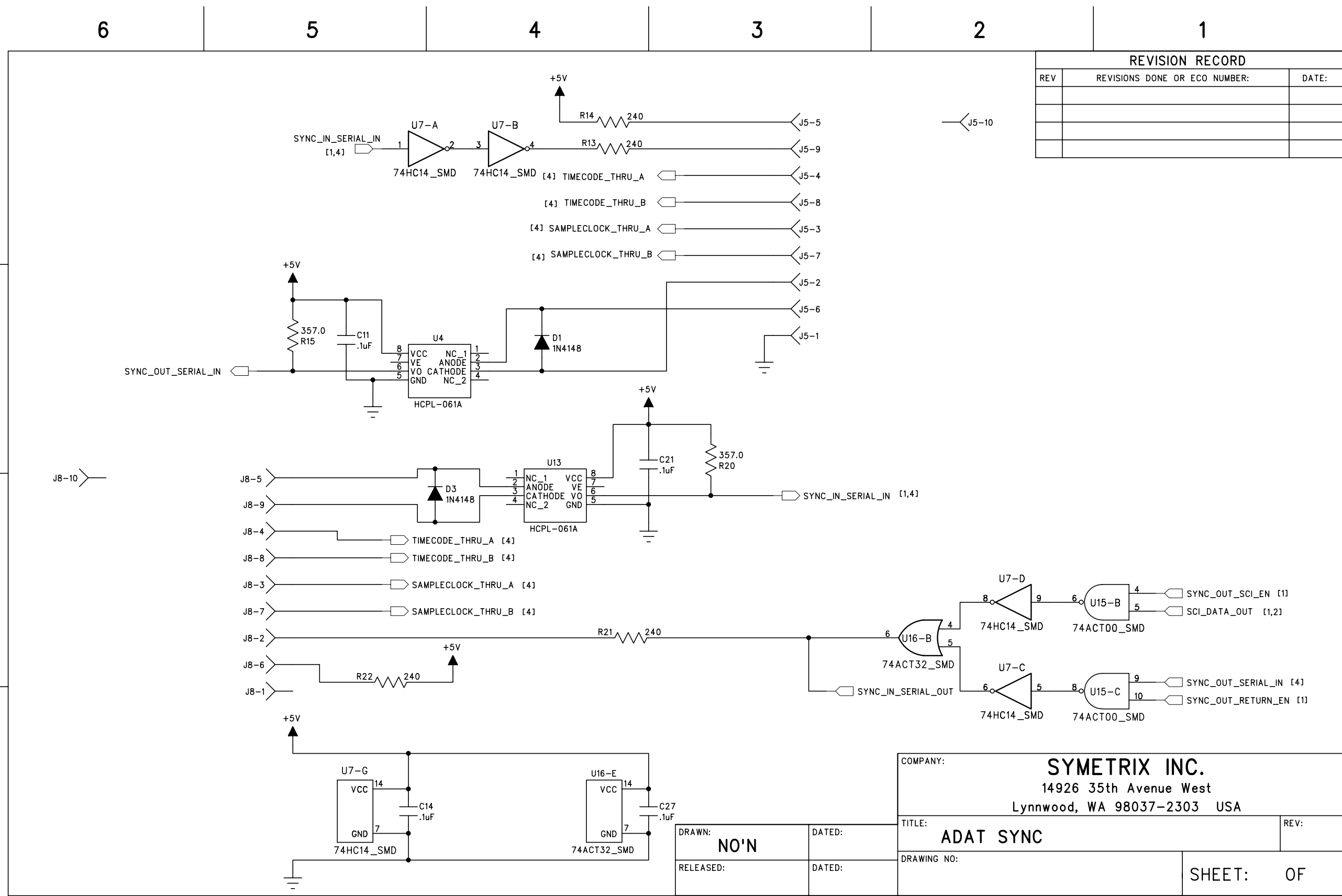
COMPANY: **SYMETRIX INC.**
 14926 35th Avenue West
 Lynnwood, WA 98037-2303 USA

| | | | | | | | |
|-----------|-------------|--------|--|-------------|-----------------|--------|----|
| DRAWN: | NO'N | DATED: | | TITLE: | MIDI I/O | REV: | |
| RELEASED: | | DATED: | | DRAWING NO: | | SHEET: | OF |



| REVISION RECORD | | |
|-----------------|-------------------------------|-------|
| REV | REVISIONS DONE OR ECO NUMBER: | DATE: |
| | | |
| | | |
| | | |

| | | | |
|-------------|------|---|--|
| COMPANY: | | SYMETRIX INC. | |
| | | 14926 35th Avenue West Lynnwood, WA 98037-2303 USA | |
| DRAWN: | NO'N | DATED: | |
| RELEASED: | | DATED: | |
| TITLE: | | ADAT OPTICAL I/O | |
| DRAWING NO: | | REV: | |
| SHEET: | | OF | |



| REVISION RECORD | | |
|-----------------|-------------------------------|-------|
| REV | REVISIONS DONE OR ECO NUMBER: | DATE: |
| | | |
| | | |
| | | |
| | | |

| | | | |
|-------------|--|-----------------------------|--|
| COMPANY: | | SYMETRIX INC. | |
| | | 14926 35th Avenue West | |
| | | Lynnwood, WA 98037-2303 USA | |
| DRAWN: | | TITILE: | |
| NO'N | | ADAT SYNC | |
| RELEASED: | | DRAWING NO: | |
| | | | |
| DATED: | | SHEET: OF | |
| | | | |

D
C
B
A

D
C
B
A

6

5

4

3

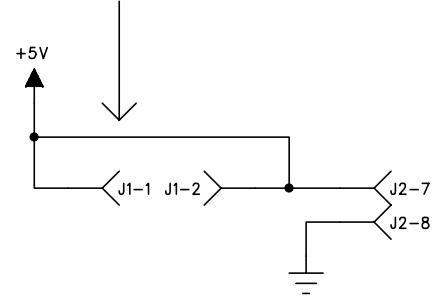
2

1

| REVISION RECORD | | |
|-----------------|-------------------------------|-------|
| REV | REVISIONS DONE OR ECO NUMBER: | DATE: |
| | | |
| | | |
| | | |
| | | |

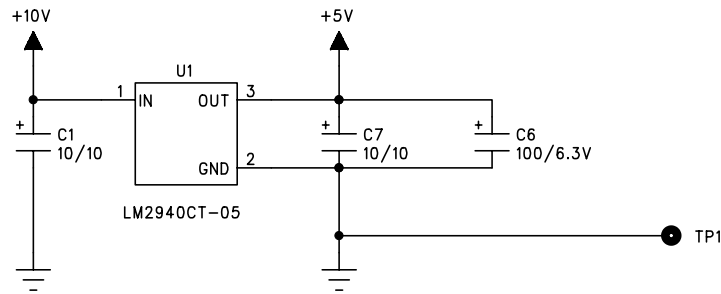
D

Cut this to use on-board regulator

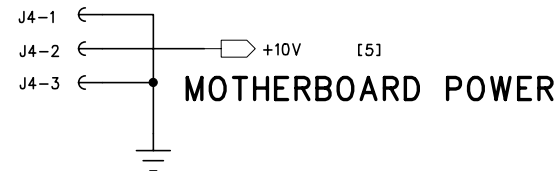


C

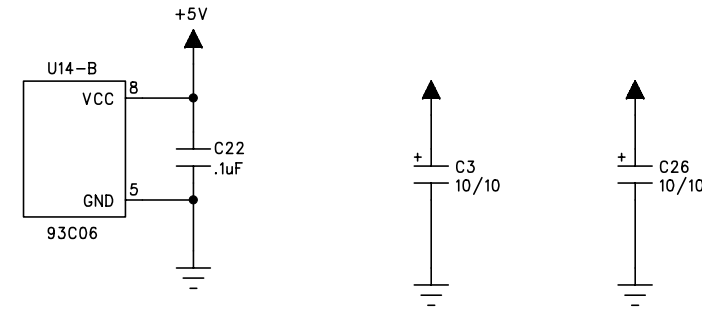
Not stuffed for production



B



A



D

C

B

A

COMPANY: **SYMETRIX INC.**
 14926 35th Avenue West
 Lynnwood, WA 98037-2303 USA

| | | | |
|-----------|--------|-------------|-----------|
| DRAWN: | DATED: | TITLE: | REV: |
| RELEASED: | DATED: | DRAWING NO: | SHEET: OF |