

6

5

4

3

2

1

REVISION RECORD		
LTR	REVISIONS DONE OR ECO NUMBER:	DATE:
A00	Released to production.	09/27/96

D

D

C

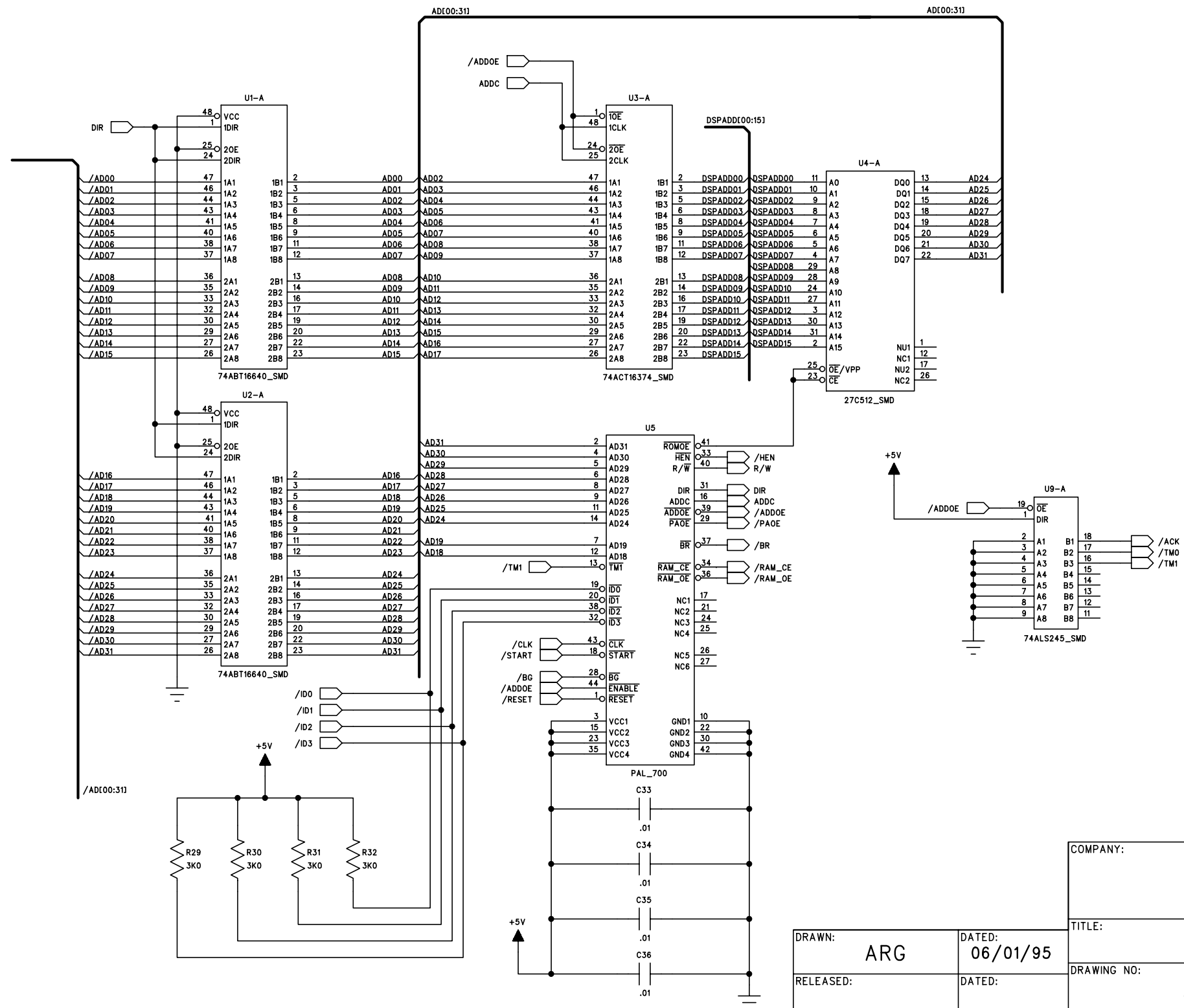
C

B

B

A

A



COPYRIGHT 1995, 1996

COMPANY: **SYMETRIX INC.**
 14926 35th Avenue West
 Lynnwood, WA 98037-2303 USA

DRAWN: ARG	DATED: 06/01/95
RELEASED:	DATED:

TITLE: NuBus Interface	REV: A00
DRAWING NO: 52 NB24 1	SHEET: 1 OF 5

6

5

4

3

2

1

D

C

B

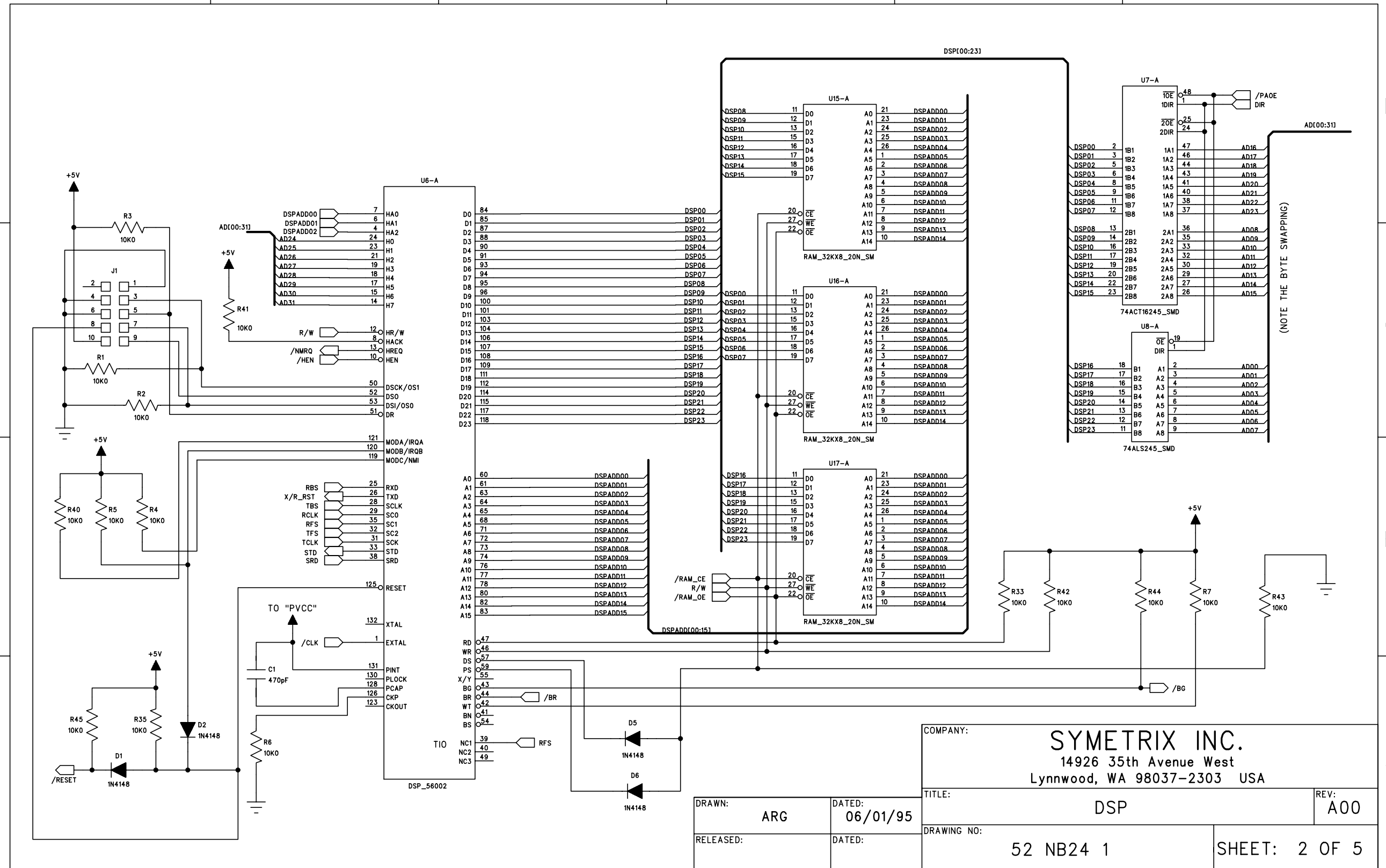
A

D

C

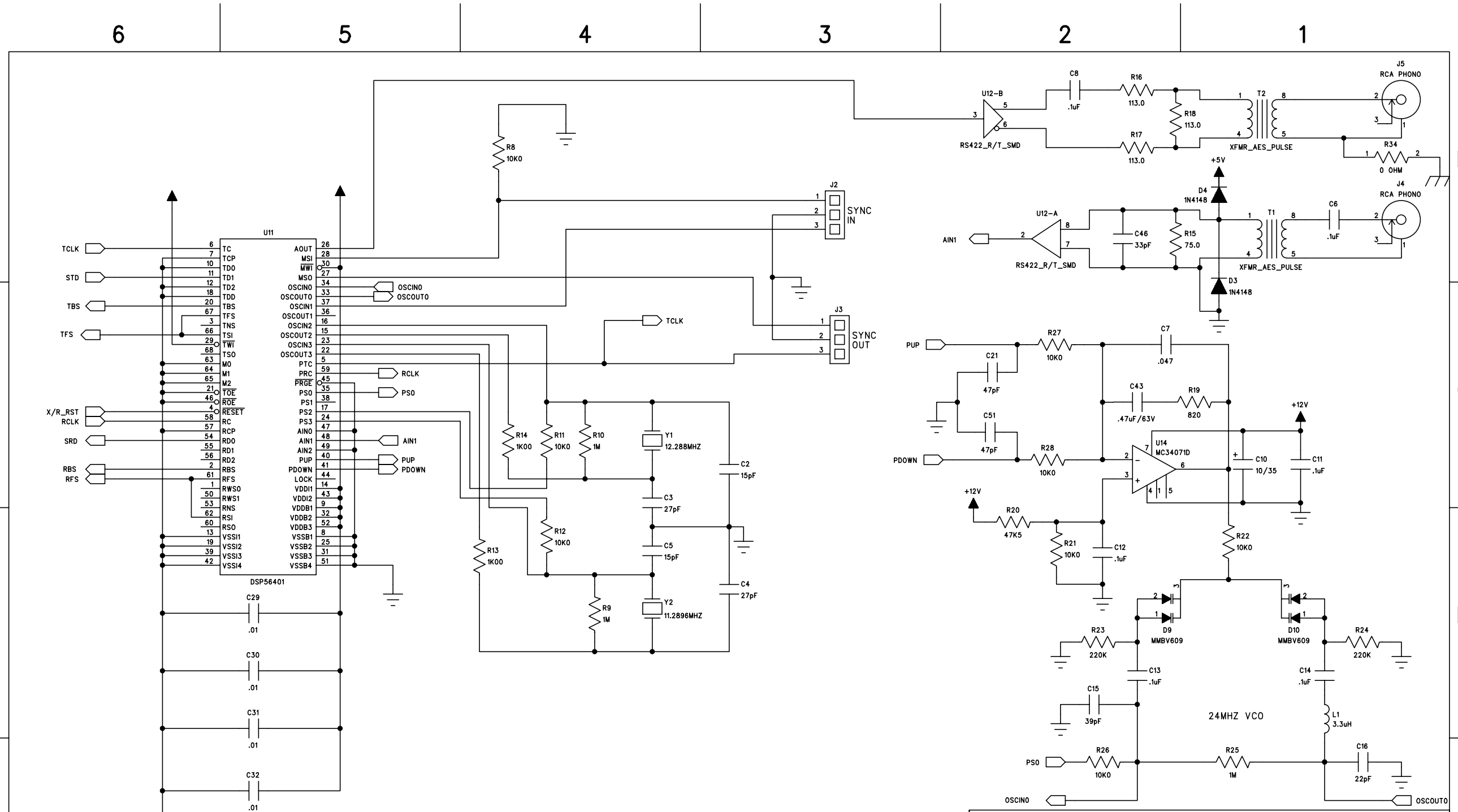
B

A



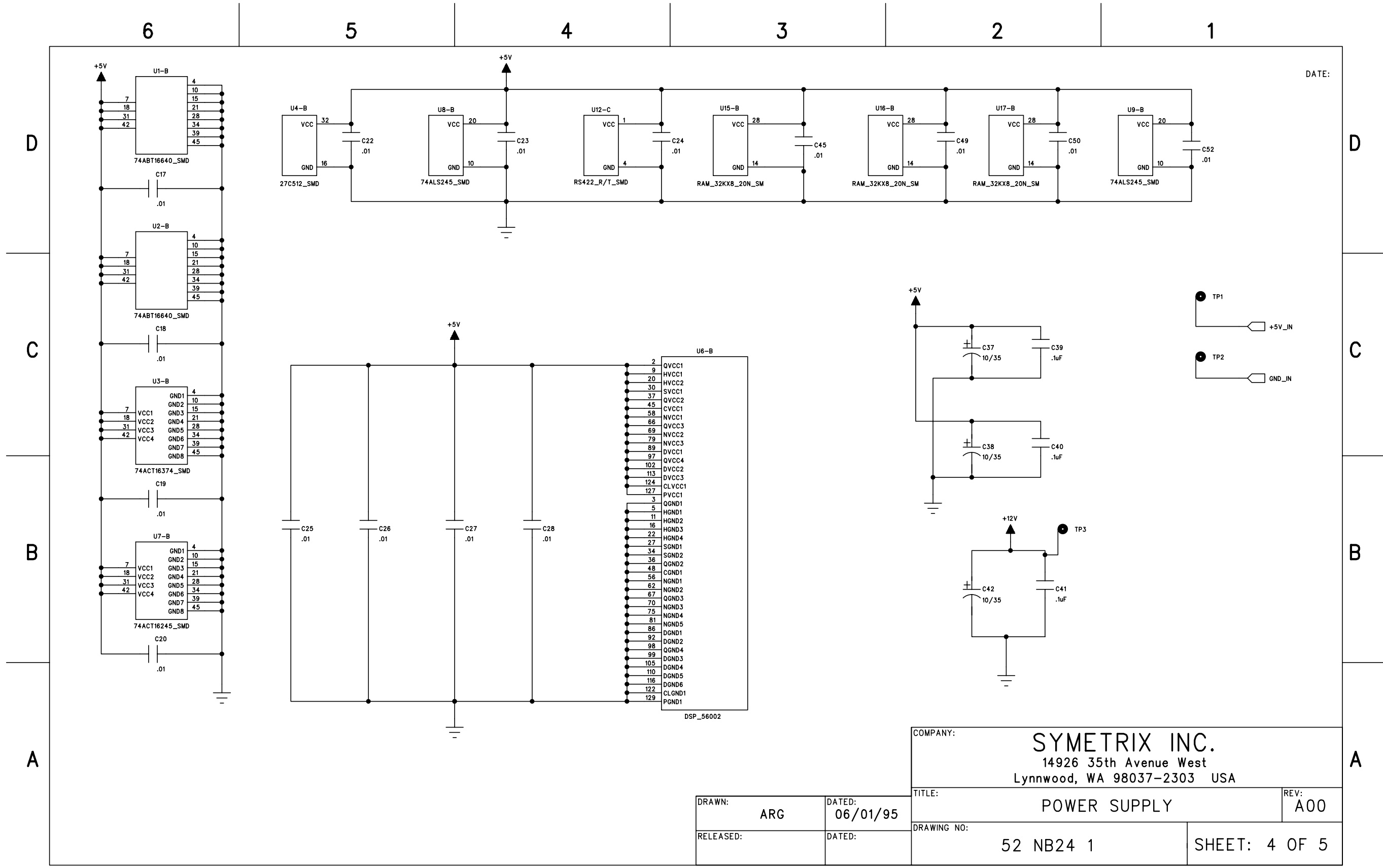
COMPANY: **SYMETRIX INC.**
 14926 35th Avenue West
 Lynnwood, WA 98037-2303 USA

DRAWN: ARG	DATED: 06/01/95	TITLE: DSP	REV: A00
RELEASED:	DATED:	DRAWING NO: 52 NB24 1	SHEET: 2 OF 5



COMPANY: SYMETRIX INC.
 14926 35th Avenue West
 Lynnwood, WA 98037-2303 USA

DRAWN: ARG	DATED: 06/01/95	TITLE: S/P DIF	REV: A00
RELEASED:	DATED:	DRAWING NO: 52 NB24 1	SHEET: 3 OF 5



6

5

4

3

2

1

D

C

B

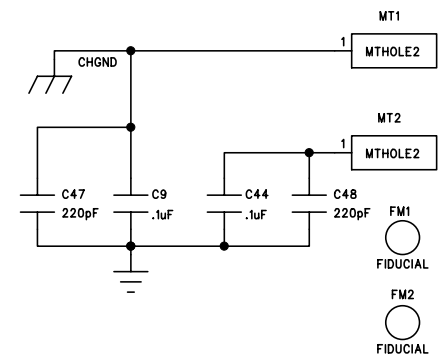
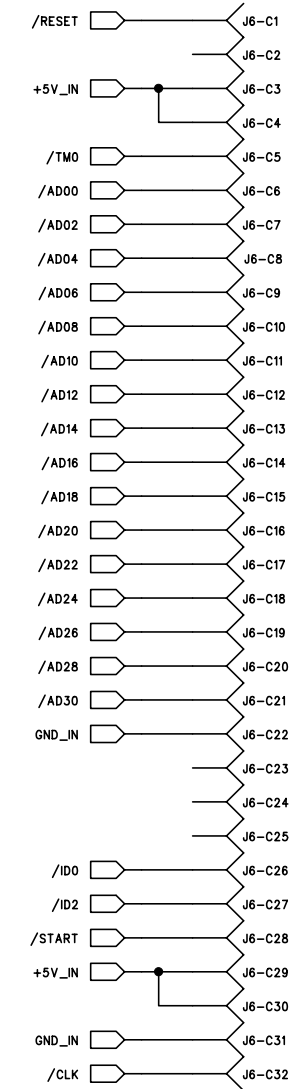
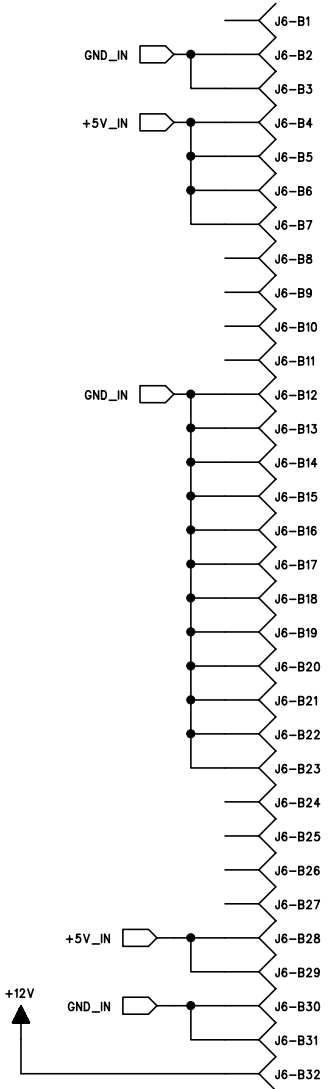
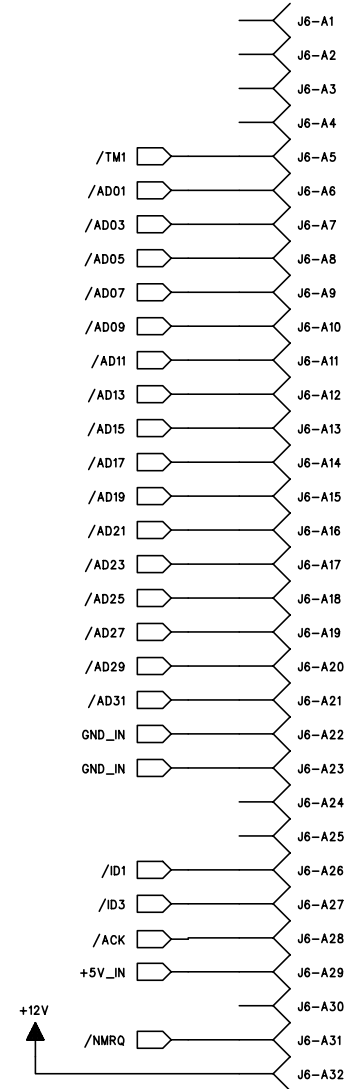
A

D

C

B

A



COMPANY: **SYMETRIX INC.**
 14926 35th Avenue West
 Lynnwood, WA 98037-2303 USA

DRAWN: ARG	DATED: 06/01/95
RELEASED:	DATED:

TITLE: NuBus Connector

DRAWING NO: 52 NB24 1

REV: A00

SHEET: 5 OF 5