

6

5

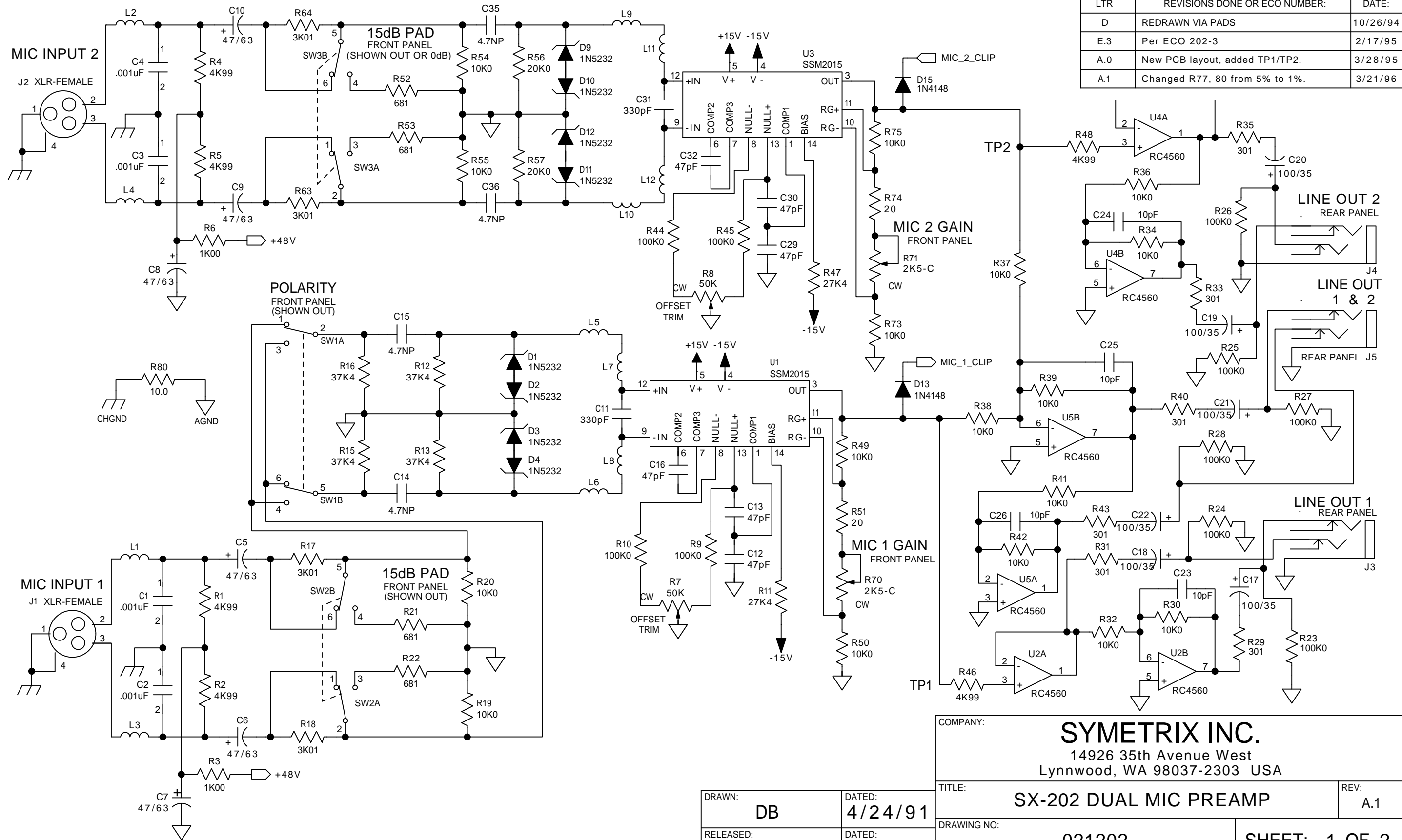
4

3

2

1

| REVISION RECORD | | |
|-----------------|--------------------------------|----------|
| LTR | REVISIONS DONE OR ECO NUMBER: | DATE: |
| D | REDRAWN VIA PADS | 10/26/94 |
| E.3 | Per ECO 202-3 | 2/17/95 |
| A.0 | New PCB layout, added TP1/TP2. | 3/28/95 |
| A.1 | Changed R77, 80 from 5% to 1%. | 3/21/96 |



COMPANY: **SYMETRIX INC.**
 14926 35th Avenue West
 Lynnwood, WA 98037-2303 USA

| | |
|---------------------|--------------------------|
| DRAWN: DB | DATED: 4/24/91 |
| RELEASED: | DATED: |

| | |
|---|----------------------|
| TITLE: SX-202 DUAL MIC PREAMP | REV: A.1 |
| DRAWING NO: 021202 | SHEET: 1 OF 2 |

6

5

4

3

2

1

D

C

B

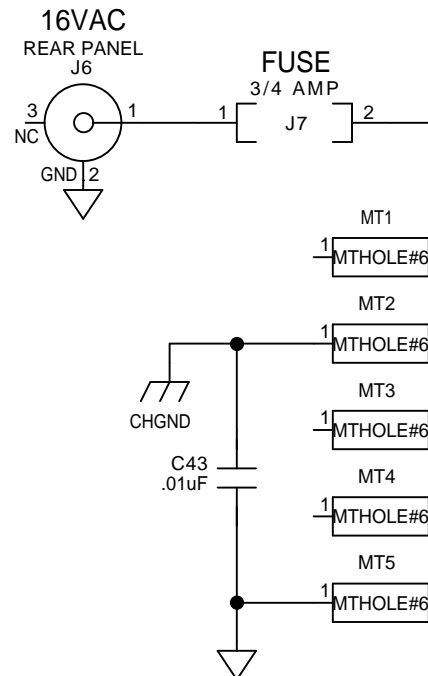
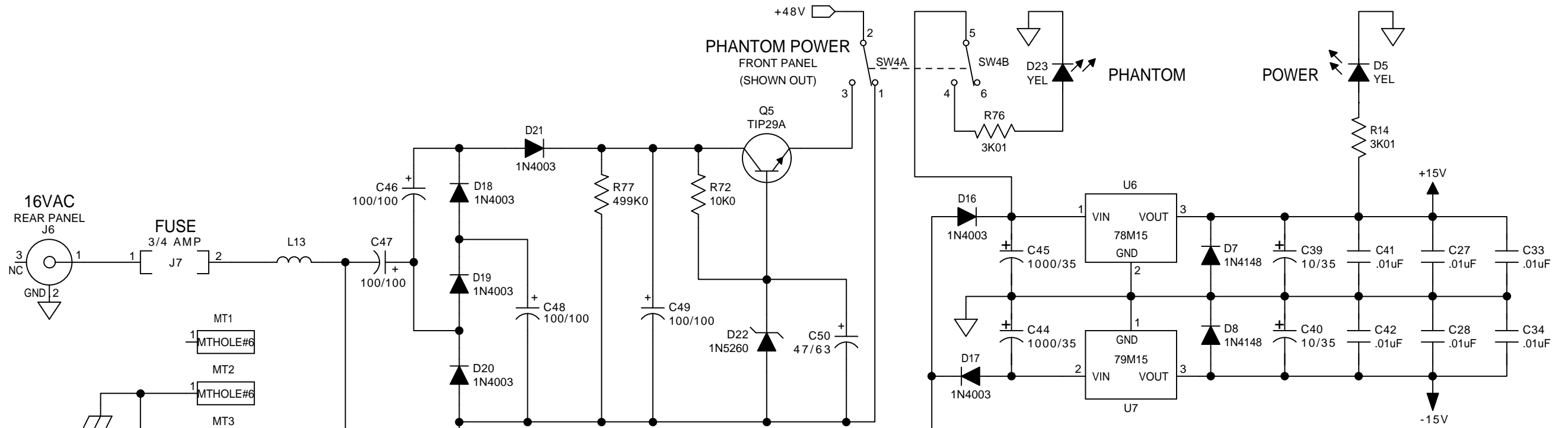
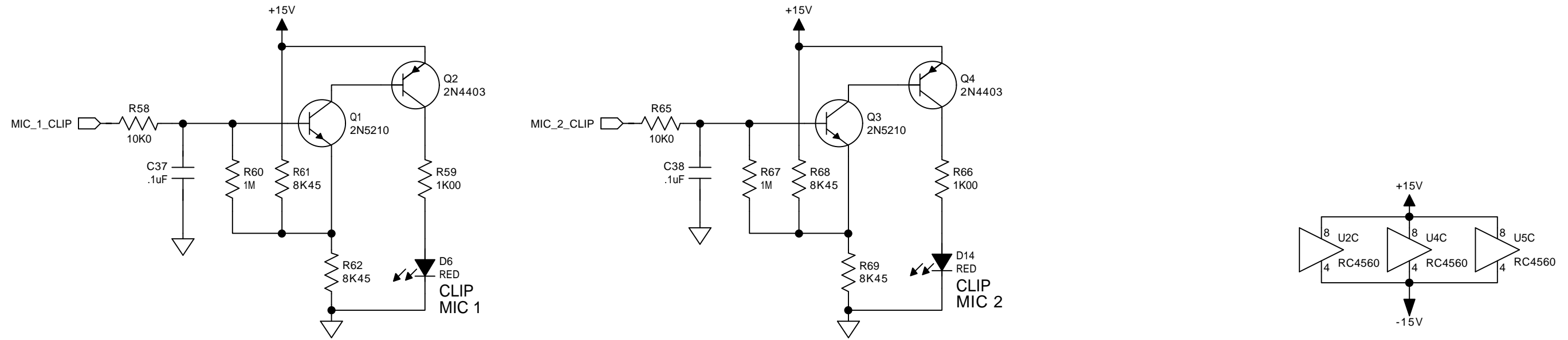
A

D

C

B

A



| | | | |
|-------------|--|--|----------------------|
| COMPANY: | | SYMETRIX INC. | |
| | | 14926 35th Ave. W. Lynnwood, WA 98037 USA | |
| TITLE: | | SX-202 DUAL MIC PREAMP | REV: A.1 |
| DRAWING NO: | | 021202 | SHEET: 2 OF 2 |

| | |
|-----------|--------|
| DRAWN: | DATED: |
| RELEASED: | DATED: |