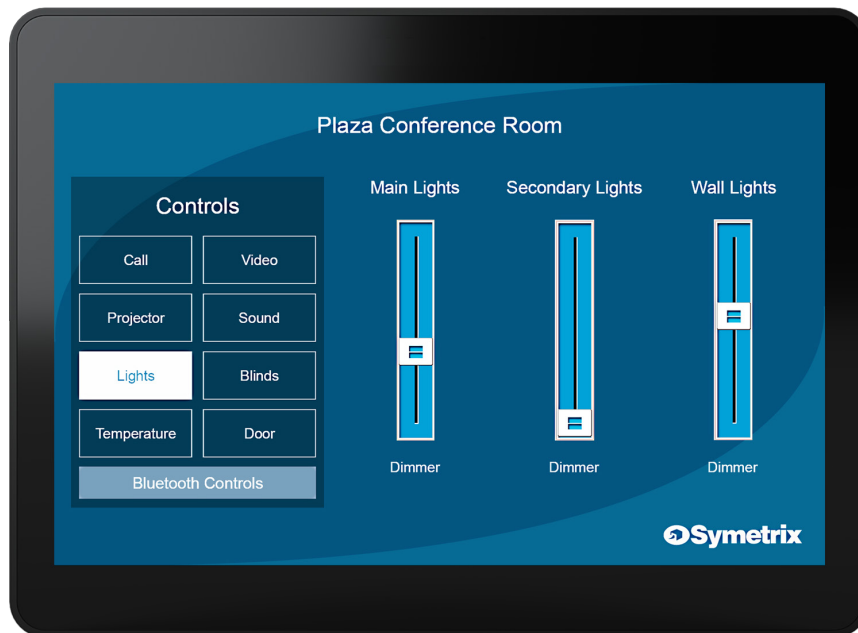


The T-10 Glass touchscreen is ideal for houses of worship, conference rooms, auditoriums, hospitality or anywhere users need easy access to multiple functions simultaneously controlled by a Symetrix DSP system.

The T-10 Glass has a vivid, 1920x1200 display, providing access to custom, multi-lingual GUIs that can be quickly designed in Symetrix Composer™ Software via drag and drop without any programming needed. Designs can then be deployed to as many as 80 touchscreens on a system with no additional licenses to purchase.

Clean and unobtrusive, the T-10 Glass is Ethernet-powered and can be mounted in any U.S. or EU 2-gang receptacle in either portrait or landscape orientation. An optional tabletop accessory allows the T-10 Glass to be deployed on conference room tables for added flexibility.



Product Highlights

- 10-inch 1920x1200 high-definition touchscreen for control of Symetrix systems
- Best-in-class brightness of 850 nits
- Drag and drop design and configuration from Symetrix Composer™ software
- Up to 128 touchscreens per system with batch configuration of multiple units
- PoE+ powered
- Fits U.S. and European 2-gang wall and junction boxes
- Supports landscape or portrait orientation
- Optional tabletop stand accessory
- Symetrix 5-Year Warranty



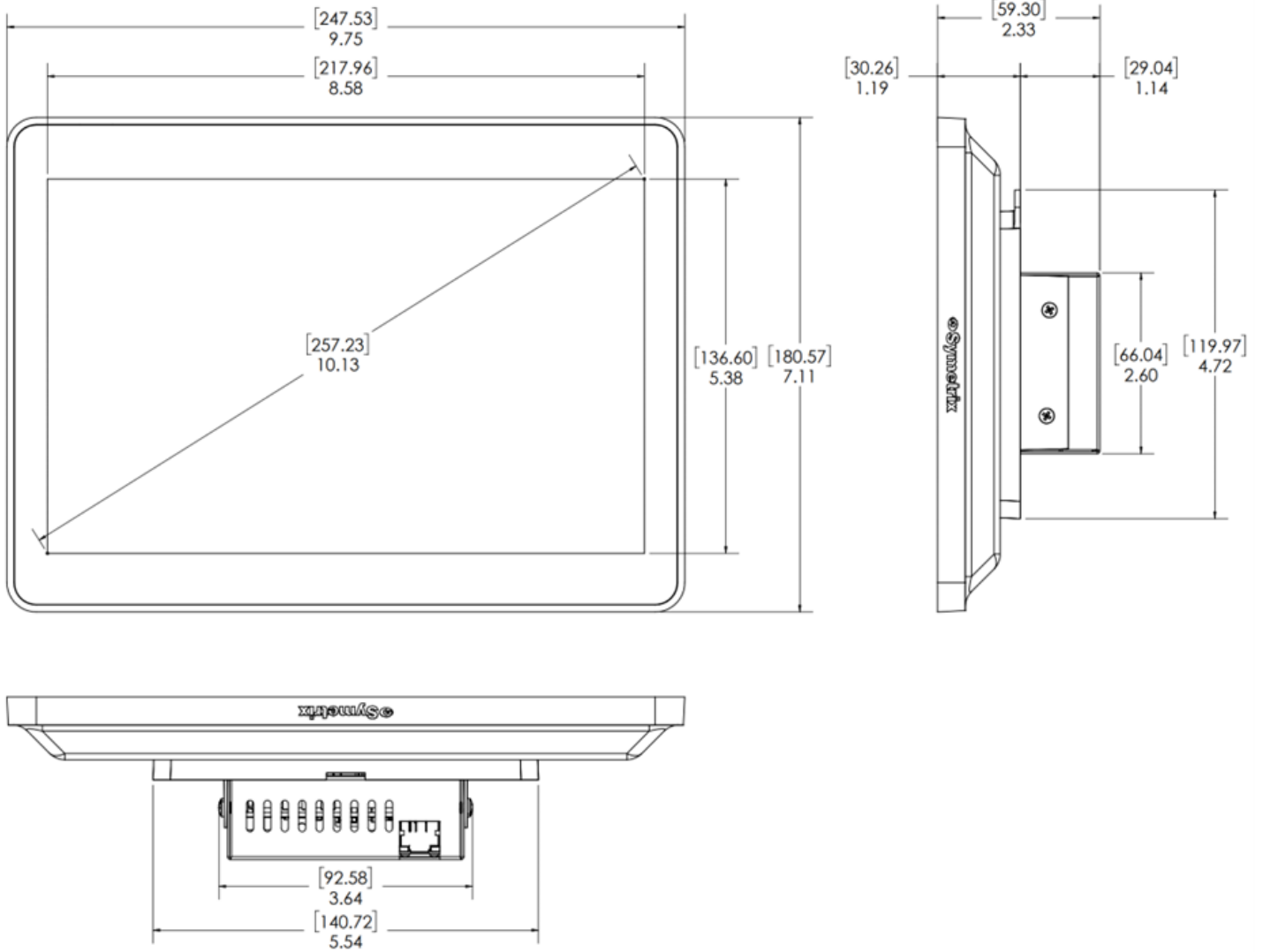
- Physical connections - T-10 Glass**
- ① 10/100 Base-T Ethernet port for Composer™ host control and power.



Specifications	
Form Factor	2-gang US or EU wall mount
Display	<p>Type: Capacitive touch full color TFT LCD</p> <p>Viewable Area: 8.54 in (216.8 mm) x 5.33 in (135.5 mm), 10.1 in (256.54 mm) diagonal.</p> <p>Resolution: 1920 x 1200 pixels.</p> <p>Aspect Ratio: 16:10</p> <p>Brightness: 850 nits</p> <p>Contrast Ratio: 900:1</p> <p>Color: 16.7M</p> <p>Orientation: Landscape (horizontal) or portrait (vertical)</p> <p>Viewing Angle: ±85° horizontal, ±85° vertical</p> <p>Multitouch: 10 fingers</p>
Compatibility	Symetrix Composer™-managed products
Ethernet Cable	Standard CAT5e or CAT6
Maximum Devices Per System	Maximum device to device length: 100 meters 128 units per Site File
Mechanical Data	
Dimensions	WHD: 9.70 in x 7.07 in x 2.33 in (246.46 mm x 179.50 mm x 59.30 mm)
Space Required	2-gang US or EU Wall Box Depth does not include connector allowance. Allow at least 3 inches additional clearance for rear panel connections. Additional depth may be required depending upon your specific wiring and connections
Power	Power Requirement: PoE+, IEEE 802.3at compliant, 25.5W max
Environmental	Ambient Operating Temperature: 0° - 40° C (32° - 104° F). Avoid prolonged exposure to direct sunlight or strong ultraviolet light.
Box Contents	T-10 Glass touchscreen Universal flush mount bracket Two zinc-plated steel M3.5x0.6x25mm Phillips head machine screws Four zinc-plated steel 1.25" 6-32 Phillips head machine screws Quick Start Guide
Optional Accessories	Tabletop Stand



Measured Drawing



Architect & Engineer Specifications

The T-10 Glass touchscreen device shall enable control of a Symetrix DSP system via a full-color LCD screen with capacitive touch for user input.

The device's display shall be rectangular measuring 10.1 inches (256.54 mm) diagonally with a 16:10 aspect ratio. It shall have 1920 x 1200 pixel resolution and up to 850 candelas/m² (or nits) brightness. The T-10 Glass display shall be a continuous glass panel measuring 9.70 in x 7.07 in (246.46 mm x 179.50 mm). The controller shall be designed to mount to a wall surface and attach to standard North American and European 2-gang wall and junction boxes in landscape (horizontal) or portrait (vertical) orientation. The face of the T-10 Glass controller shall protrude 1.21 inches (30.64 mm) from the wall surface when mounted.

The device shall communicate with a Symetrix DSP system via 10/100 Mbps Ethernet using standard TCP/IP protocols using an RJ45 jack on the rear panel. The device's user interface screens with graphics, controls, indicators, labels, etc., shall be resident in non-volatile program memory which provides program security should power fail. The device shall support time and date display and shall be able to sync to NTP.

Symetrix Composer™ software application shall be provided that operates on a Windows computer, with a network interface installed, running Windows 10® or higher operating system. The designer application shall develop and manage the device's user interface screens constructed from objects within the Symetrix Composer™ software including faders, buttons, meters, LEDs, text, icons, and other graphics.

The device shall operate in an environment with an ambient temperature range of 0° C to 40° C (32° to 104° F). The device shall be powered over Ethernet (PoE) by an IEEE 802.3at or IEEE 802.3af standard compliant switch. The device shall meet CE safety requirements and comply with CE and FCC Part 15 emissions limits. The device shall be RoHS compliant. The chassis shall be constructed of steel and molded plastic. The device shall be a Symetrix T-10 Glass Touchscreen.

Specifications and features subject to change.

