

The T-10 Glass Table Mount perfectly houses the Symetrix T-10 Glass touchscreen for movable installations.



*T-10 Glass Table Mount with bracket
(bracket included with T-10 Glass)*



*Front of T-10 Glass Table Mount with mounted
T-10 Glass touchscreen (T-10 Glass not included)*

Product Highlights

- Powder coated aluminum
- 30 degree or 60 degree viewing angle
- Non-slip base pads

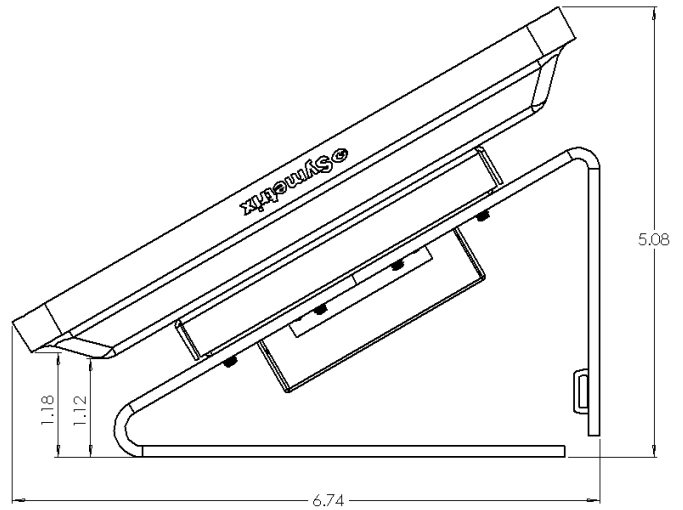
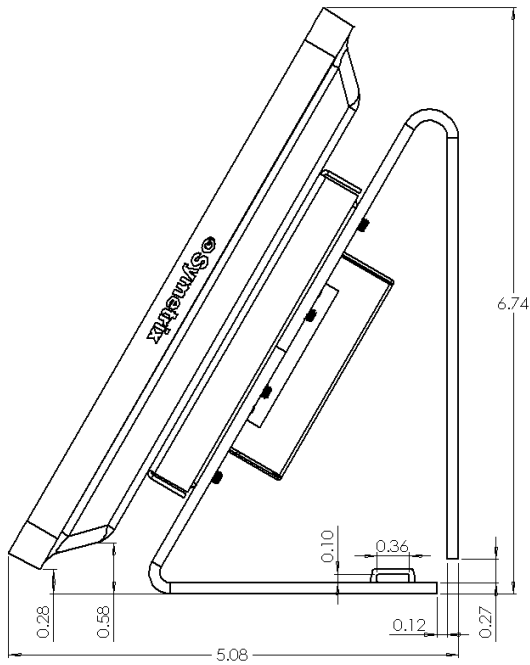
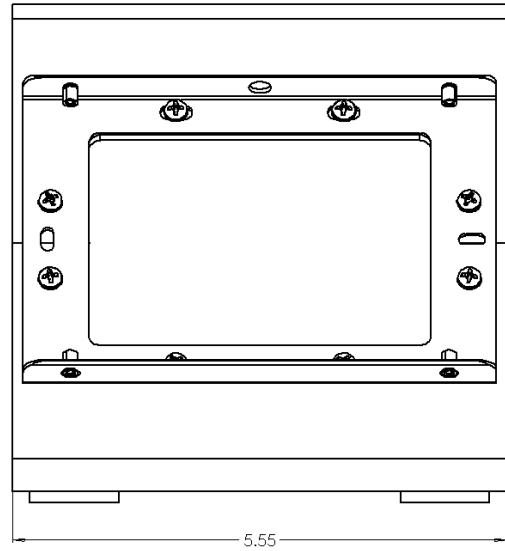
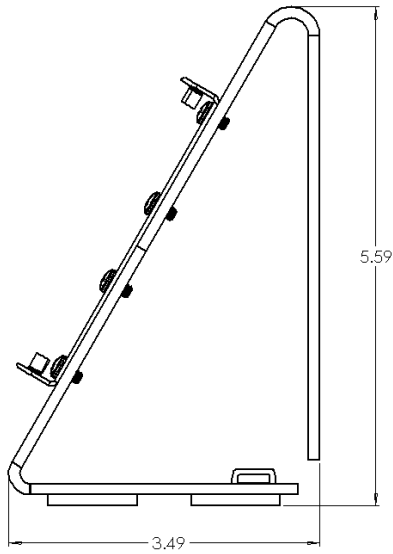
T-10 Table Mount

The dual gang table mount stand for the T-10 Glass touchscreen controller is constructed from 8 GA aluminum that is powder coated with a satin black finish. The base includes non-slip pads to prevent damage to table or other mounting surface.

The stand for the T-10 Glass touchscreen allows for flexible table mount installation.

Specifications	
Space required (with T-10 installed)	9.8 inches x 6.8 inches x 5.1 inches
Shipping weight	2.0 pounds
Combined weight of stand and mounted T-10 Glass	3.3 pounds





Included in the Box	
Description	Qty
T-10 Table Mount, Lower	1
T-10 Table Mount, Upper	1
Non-Slip Pad, T-10	4
Screw, Pan Head, Phillips, 18-8 SS, #6-32 x 1/4", Black Oxide	8
Cable tie, 6"	2

